

MICRO SWITCH

A DIVISION OF MINNEAPOLIS-HONEYWELL REGULATOR COMPANY
 PROSPER, MINNESOTA

FED. MFR. CODE 91929

SWITCH-BASIC

CATALOG LISTING
BZ-3RQ115T

(M) BZ-3RQ115T
 ISSUE 1

BZ-3RQ115T
 PAGE 1 OF 1

M

DRAWING
 NUMBER

ISSUE
 7

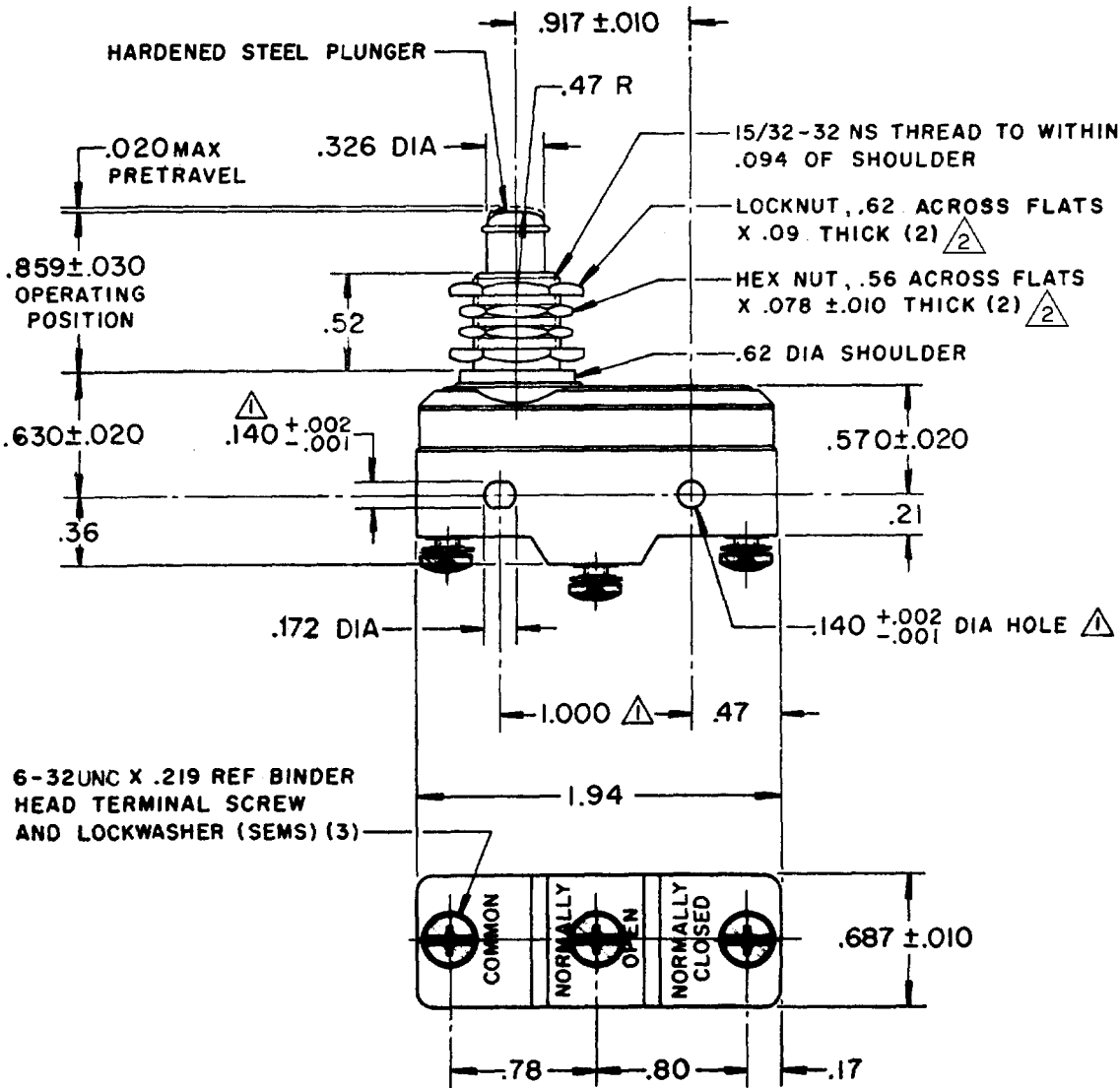
REPLACES

RELEASE NO.

CHECK

REVISIONS

A	CO14866	M B F	14 OCT 60
B	CO32184	GLH	20 JUN 73
C	CO-69351-0	JWB	18 JUL 91
D	CO-77589	K D R	29 MAR 94
E	CO-82133	CSL	31 JUL 96
F	CO93346	DLT	12 AUG 98



6-32UNC X .219 REF BINDER
 HEAD TERMINAL SCREW
 AND LOCKWASHER (SEMS) (3)

- NOTES
- ① MOUNTING HOLES WILL ACCEPT PINS OR SCREWS OF .139 MAX DIA ON 1.000±.002 CENTERS
 - ② HARDWARE FURNISHED UNASSEMBLED

THIS DRAWING COVERS A PROPRIETARY ITEM AND IS THE PROPERTY OF MICRO SWITCH, A DIVISION OF MINNEAPOLIS-HONEYWELL REGULATOR CO. THIS DRAWING IS NOT TO BE COPIED OR USED WITHOUT THE APPROVAL OF MICRO SWITCH.

FORMTEK
 FO-50378

DRAWN
 M B F
 14 OCT 60
 CHECK
 CCH 14 OCT 60

CHARACTERISTICS	ELECTRICAL DATA	SCALE FULL
OPERATING FORCE ----- 14-20 OZ	CONTACT ARRANGEMENT S P D T	DO NOT SCALE PRINT
RELEASE FORCE ----- 4 OZ MIN	UNDERWRITERS' LAB. INC. LISTED RATING -L9- 10A - 125, 250, OR 480 VAC 1/2A - 125 VDC, 1/4A - 250 VDC	UNLESS OTHERWISE SPECIFIED DIMENSIONS ARE IN INCHES
DIFFERENTIAL TRAVEL ----- .0008-.003	-L 288-	TOLERANCES ARE:
OVERTRAVEL ----- .219 MIN	SP CE	ONE PLACE (.0) ±.030 TWO PLACE (.00) ±.015 THREE PLACE (.000) ±.008 ANGLES ±
		WEIGHT .093 LB