

MICRO SWITCH

FREEPORT ILLINOIS, U.S.A
A DIVISION OF HONEYWELL
FED. MFG. CODE 91929

SWITCH - BASIC

CATALOG LISTING

YE-2RQ27-A4

YE-2RQ27-A4

DRAWING NUMBER

ISSUE 5

REVISIONS

A	C080986	JALA	11 JUN 95
B	D000782	JAH	7 JUL 03

REPLACES X87647-YE

RELEASE NO. PR-16512

CHECK

CHECK

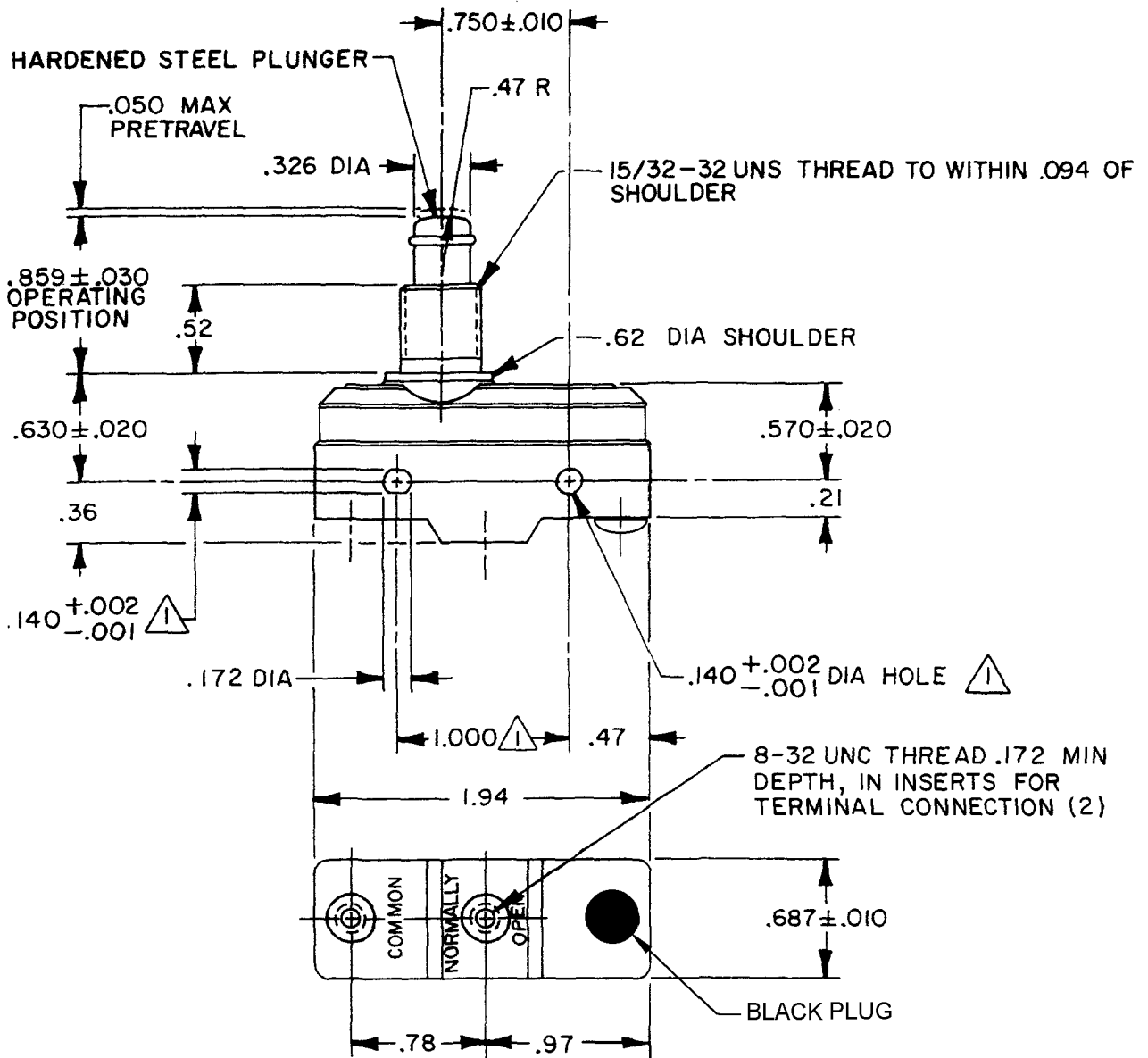
23 JUN 88

DeS

CHECK

JUN 88

J A P22

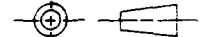


NOTES:

- ① MOUNTING HOLES WILL ACCEPT PINS OR SCREWS OF .139 MAX DIA ON 1.000 ± .002 CENTERS
- 2 - 2X BINDING HEAD TERMINAL SCREW, 2X CUPWASHER AND 1X NUT FURNISHED UNASSEMBLED

THIS DRAWING COVERS A PROPRIETARY ITEM AND IS THE PROPERTY OF MICRO SWITCH, A DIVISION OF HONEYWELL. THIS DRAWING IS NOT TO BE COPIED OR USED WITHOUT THE APPROVAL OF MICRO SWITCH.

THIRD ANGLE PROJECTION



CHARACTERISTICS	ELECTRICAL DATA	SCALE FULL																								
OPERATING FORCE ----- 14 - 22 OZ	CONTACT ARRANGEMENT S P N O	DO NOT SCALE PRINT																								
RELEASE FORCE ----- 10 OZ MIN	25A 125 OR 250 VAC 1 HP 125 VAC, 2 HP 250 VAC PILOT DUTY	TOLERANCES APPLY TO DESIGN UNITS. CONVERSIONS ARE ONLY FOR REFERENCE. UNLESS NOTED, TOLERANCES ARE ±																								
DIFFERENTIAL TRAVEL -- .0020 - .0075	750VA 125, 250 OR 277 VAC	<table border="1"> <thead> <tr> <th>DIM.</th> <th>TOL.</th> <th>DIM.</th> <th>TOL.</th> </tr> <tr> <th>mm</th> <th>mm/in</th> <th>in</th> <th>mm/in</th> </tr> </thead> <tbody> <tr> <td>NO PLACES</td> <td>X</td> <td>1/04</td> <td></td> </tr> <tr> <td>ONE PLACE</td> <td>X,X</td> <td>0.4/016</td> <td>X,X 0.8/03</td> </tr> <tr> <td>TWO PLACES</td> <td>X,XX</td> <td>0.15/008</td> <td>X,XX 0.38/015</td> </tr> <tr> <td>THREE PLACES</td> <td>X,XXX</td> <td></td> <td>X,XXX 0.13/005</td> </tr> </tbody> </table>	DIM.	TOL.	DIM.	TOL.	mm	mm/in	in	mm/in	NO PLACES	X	1/04		ONE PLACE	X,X	0.4/016	X,X 0.8/03	TWO PLACES	X,XX	0.15/008	X,XX 0.38/015	THREE PLACES	X,XXX		X,XXX 0.13/005
DIM.	TOL.	DIM.	TOL.																							
mm	mm/in	in	mm/in																							
NO PLACES	X	1/04																								
ONE PLACE	X,X	0.4/016	X,X 0.8/03																							
TWO PLACES	X,XX	0.15/008	X,XX 0.38/015																							
THREE PLACES	X,XXX		X,XXX 0.13/005																							
OVERTRAVEL ----- .094 MIN	60/75 °C (CU)	<table border="1"> <thead> <tr> <th>DESIGN UNITS</th> <th>SI METRIC</th> <th>US CUSTOMARY</th> </tr> </thead> <tbody> <tr> <td><input type="checkbox"/></td> <td><input type="checkbox"/></td> <td><input checked="" type="checkbox"/></td> </tr> </tbody> </table>	DESIGN UNITS	SI METRIC	US CUSTOMARY	<input type="checkbox"/>	<input type="checkbox"/>	<input checked="" type="checkbox"/>																		
DESIGN UNITS	SI METRIC	US CUSTOMARY																								
<input type="checkbox"/>	<input type="checkbox"/>	<input checked="" type="checkbox"/>																								
		WEIGHT .084 LB																								

RASTER DRAWN