

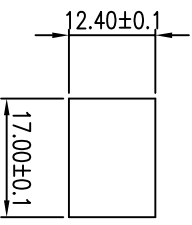
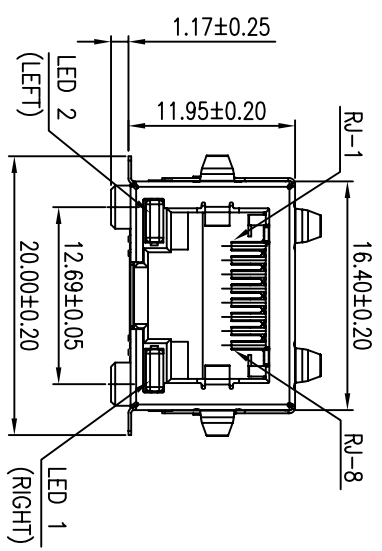
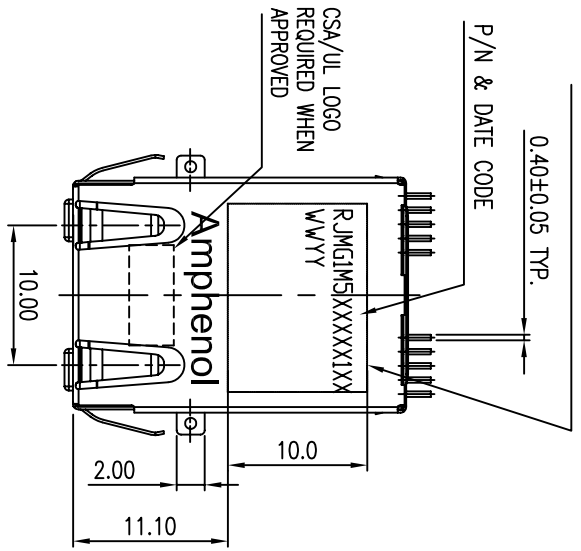
This document is the property of Amphenol Corporation and is delivered on the express condition that it is not to be disclosed, reproduced or used, in whole or in part, for manufacture or sale by anyone other than Amphenol Corporation without its prior consent, and that no right is granted to disclose or to use any information in this document.

NO TAPE, LABEL OR STAMPED MARKS ALLOWED IN THIS AREA.

0.40±0.05 TYP.

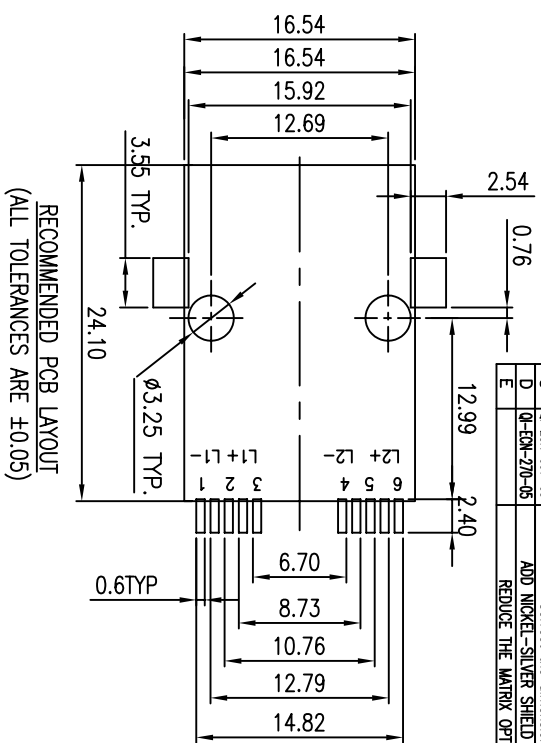
P/N & DATE CODE

CSA/UL LOGO REQUIRED WHEN APPROVED

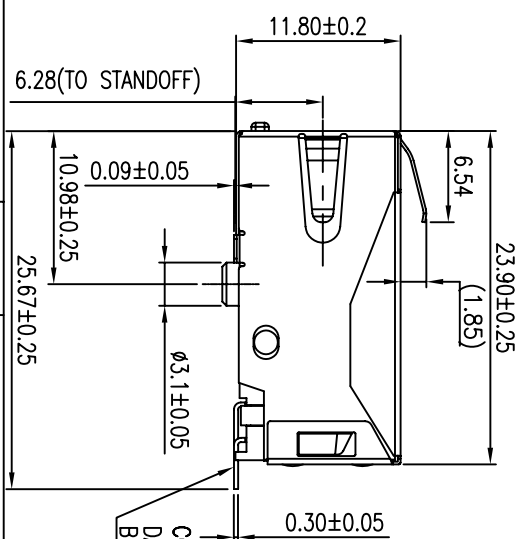


RECOMMENDED PANEL CUTOUT  
DO NOT SCALE THE DRAWING

CUSTOMER DRAWING



RECOMMENDED PCB LAYOUT  
(ALL TOLERANCES ARE ±0.05)



COPLANARITY FOR ALL DATA PINS & LED CONTACTS BE LESS THAN 0.10MM

REVISIONS		DATE	APPROVED
S/M	ECN No.		
A	04-ECN-024-04	09/10/04	John De Jong
B	04-ECN-105-04	11/29/04	John De Jong
C	04-ECN-097-05	03/17/05	Joseph Hsu
D	04-ECN-270-05	10/19/05	Joseph Hsu
E		12/05/05	Joseph Hsu

TOLERANCE	m/m	APPROVALS	DATE	TITLE	SIZE	PART NO.	DRAWING NO.	SCALE	N.A.	SHEET	1 OF 4	REV.
X.	±0.30	DRAWN LucyLee	03/17/05	SINGLE PORT RJ45 CONNECTOR SHIELD, WITH R&C TERMINATION 10/100 LOW PROFILE SMT	A4	RJ45G1M5XXXXXX1XX	T345-RJ45G1M5XXXXXX1XX	N.A.		1	4	E
X.X	±0.25	CHECKED Aroy	03/17/05									
X.XX	±0.15	APPROVED Joseph	03/17/05									
X.XXX	±0.08											
ANGULAR	±2°											
UNLESS OTHERWISE SPECIFIED												

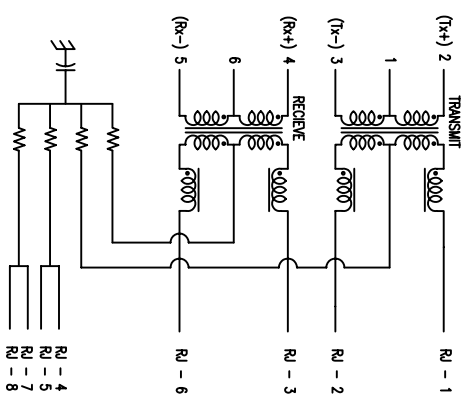
**Amphenol®**  
Amphenol Corporation

This document is the property of Amphenol Corporation and is delivered on the express condition that it is not to be disclosed, reproduced or used, in whole or in part, for manufacture or sale by anyone other than Amphenol Corporation without its prior consent, and that no right is granted to disclose or to use any information in this document.

# CUSTOMER DRAWING

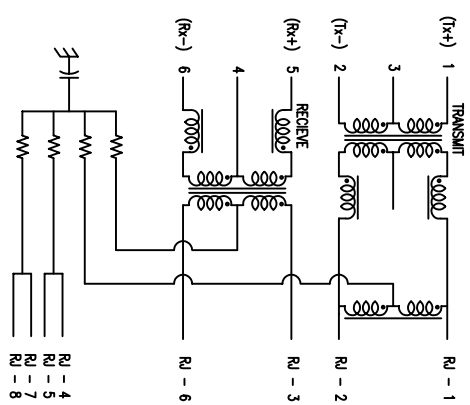
REVISIONS		DATE	APPROVED
SYM	ECN No.		
A	04-ECN-024-04	09/10/04	John De Jong
B	04-ECN-105-04	11/29/04	John De Jong
C	04-ECN-097-05	03/17/05	Joseph Hsu
D	04-ECN-270-05	10/19/05	Joseph Hsu
E		12/05/05	Joseph Hsu

PIN	SYMBOL
1	Tx+
2	Tx+
3	Tx-
4	Rx+
5	Rx-
6	Rd
L1-	LED1-
L1+	LED1+
L2-	LED2-
L2+	LED2+



SCHEMATIC (RJMG1MXXX-9X-01XX)

PIN	SYMBOL
1	Tx+
2	Tx-
3	Td
4	Rd
5	Rx+
6	Rx-
L1-	LED1-
L1+	LED1+
L2-	LED2-
L2+	LED2+



SCHEMATIC (RJMG1MXXX-9X-01XX)



TOLERANCE	m/m	APPROVALS	DATE	TITLE	SCALE	SHEET	OF
X.	±0.30	DRAWN Lucylee	03/17/05	SINGLE PORT RJmag CONNECTOR SHIELD, WITH R&C TERMINATION 10/100 LOW PROFILE SMT	N.A.	2	4
X.X	±0.25	CHECKED Aray	03/17/05				
X.XX	±0.15	APPROVED Joseph	03/17/05				
X.XXX	±0.08						
ANGULAR	±1°						
UNLESS OTHERWISE SPECIFIED					DRAWING NO.	REV.	
					T345-RJMG1M5XXXXX1XX	E	

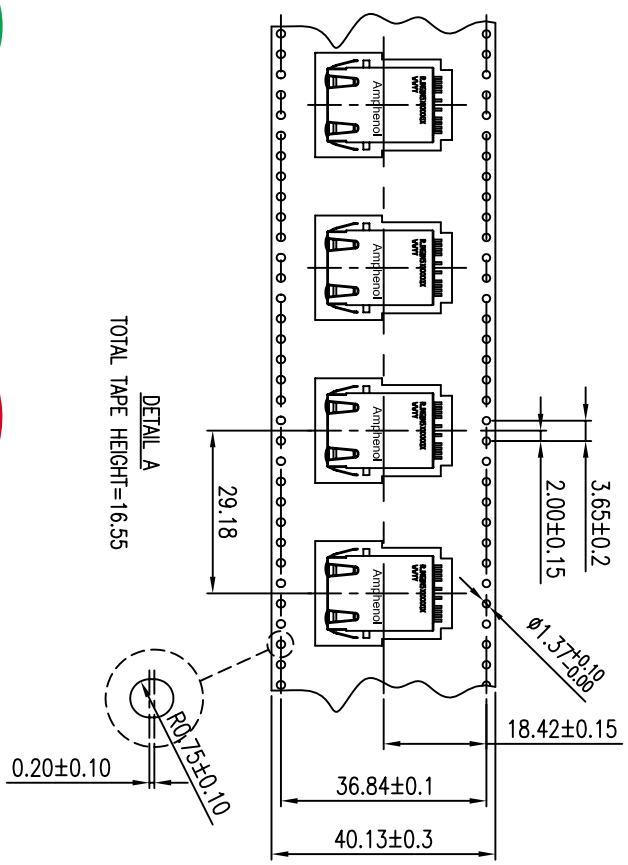
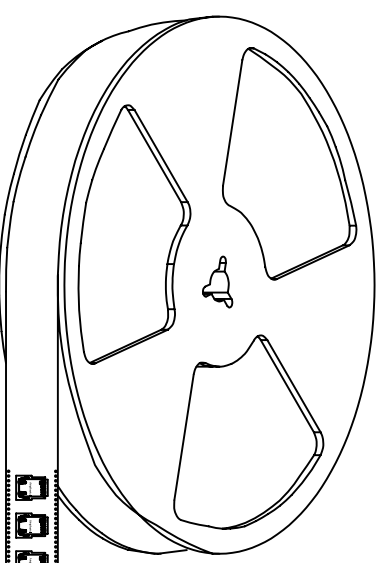
**Amphenol®**  
Amphenol Corporation

This document is the property of Amphenol Corporation and is delivered on the express condition that it is not to be disclosed, reproduced or used, in whole or in part, for manufacture or sale by anyone other than Amphenol Corporation without its prior consent, and that no right is granted to disclose or to use any information in this document.

# CUSTOMER DRAWING

## TAPE AND REEL PACKING SPEC.

SYM	ECN No.	DESCRIPTION	DATE	APPROVED
A	QE-EN-024-04	Modify return less Spec. change P/N and title blocks	09/10/04	John De Jong
B	QE-EN-105-04	Modify return less Spec. change P/N and title blocks	11/29/04	John De Jong
C	QE-EN-097-05	Correct the dimension	03/17/05	Joseph Hsu
D	QE-EN-270-05	ADD NICKEL-SILVER SHIELD OPTION	10/19/05	Joseph Hsu
E		REDUCE THE MATRIX OPTIONS	12/05/05	Joseph Hsu



**PACKAGING NOTES:**

1. REEL DETAIL: a) O.D.: 330MM
- b) THICKNESS: 50.40 MM
- c) PACKAGE: FULLY LOADED REEL CONTAIN 100 FINISHED CONNECTOR.

2. 5 REELS, 500EA/CARTON.  
TAPE & REEL PACKAGING PER EIA 481

TOLERANCE	m/m	APPROVALS	DATE	TITLE	SCALE	N.A.	SHEET	4 OF 4	REV.
X.	±0.30	DRAWN LucyLee	03/17/05	SINGLE PORT Rfmmg CONNECTOR SHIELD, WITH R&C TERMINATION 10/100 LOW PROFILE SMT	A4	N.A.	4	OF	4
X.X	±0.25	CHECKED Aray	03/17/05						
X.XX	±0.15	APPROVED Joseph	03/17/05						
X.XXX	±0.08								
ANGULAR	±2°								



**Amphenol®**  
Amphenol Corporation

UNLESS OTHERWISE SPECIFIED



UNIT  
MM

PART NO.  
RJMG1M5XXXXX1XX

DRAWING NO.  
T345-RJMG1M5XXXXX1XX

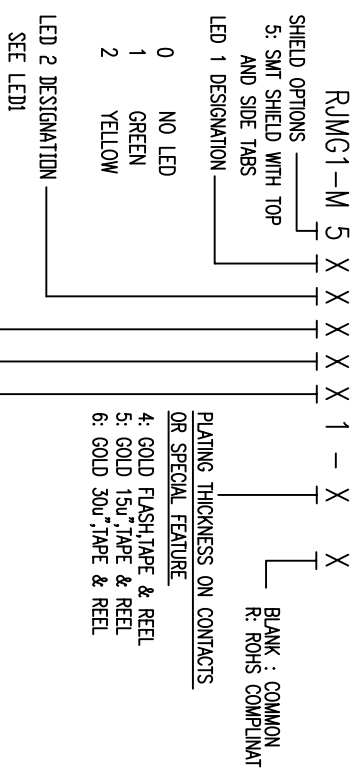
REV.  
E

This document is the property of Amphenol Corporation and is delivered on the express condition that it is not to be disclosed, reproduced or used, in whole or in part, for manufacture or sale by anyone other than Amphenol Corporation without its prior consent, and that no right is granted to disclose or to use any information in this document.

# CUSTOMER DRAWING

REVISIONS		DATE	APPROVED
S/M	ECN No.		
A	04-ECN-024-04	09/10/04	John De Jong
B	04-ECN-105-04	11/29/04	John De Jong
C	04-ECN-097-05	03/17/05	Joseph Hsu
D	04-ECN-270-05	10/19/05	Joseph Hsu
E		12/05/05	Joseph Hsu

## PART NUMBER CONFIGURATION



## ELECTRICAL SPECIFICATION@25° C)

SEE RJMG10/100 PRODUCT SPEC. FOR NORMAL TEST PROCEDURE.  
 OTHERS SPECS HERE FOR REFERENCE ONLY.

PARAMETER	LIMITS (MAX. OR MIN.)	FREQUENCY RANGE
CM TO CM REJECTION	-40 dB TYP. -38dB MIN.	0-100 MHZ
CM TO DM REJECTION	-40 dB TYP. -35dB MIN.	0-100 MHZ
CROSSTALK(PAIR TO PAIR)	-38dB TYP. -35dB MIN.	0-100 MHZ
(LED TO Tx/Rx)	-60dB TYP. -50dB MIN.	0-100 MHZ

## MATERIALS:

PLASTIC HOUSING: THERMOPLASTIC POLYESTER, UL94V-0 RATE, COLOR-BLACK  
 CONTACTS (RJMA6): PHOSPHOR BRONZE  
 NICKEL UNDER PLATING OVERALL  
 OPTON GOLD ON MATING SURFACES.  
 100 MICRONS TIN/LEAD PLATED ON CONTACT TAILS  
 OR 100 MICRONS TIN PALTED ON CONTACT TAILS  
 (FOR ROHS COMPLIANT OPTION)

SHIELD: COPPER ALLOY, TIN-LEAD PLATED  
 OR NICKEL SILVER NO PATING (FOR ROHS COMPLIANT OPTION)

\* Note: NICKLE SILVER SHILED IS ONLY USED FOR ROHS COMPLIANT OR RELOW PROCESS.

- 8: 4x75 OHM RESISTORS, 1000pf (2KV)
  - 9: 4x75 OHM RESISTORS, 1000pf (2KV)
- TRANSMIT SHUNT CHOKE  
 SPECIAL PIN OUT FOR CHIP 82559  
 NOTE: TERMINATION OPTION '9',  
 ONLY AVAILABLE FOR 1:1 TURN RATIO.

TOLERANCE	m/m	APPROVALS	DATE	TITLE	SIZE	PART NO.	DRAWING NO.	SCALE	N.A.	SHEET	OF	REV.	
X.	±0.30	DRAWN LucyLee	03/17/05	SINGLE PORT RJmg CONNECTOR SHIELD, WITH R&C TERMINATION 10/100 LOW PROFILE SMT	A4	RJMG1M5XXXXX1XX	T345-RJMG1M5XXXXX1XX			3	OF	4	
X.X	±0.25	CHECKED Aray	03/17/05										
X.XX	±0.15	APPROVED Joseph	03/17/05										
X.XXX	±0.08												
ANGULAR	±1°												
UNLESS OTHERWISE SPECIFIED													



**Amphenol®**  
 Amphenol Corporation