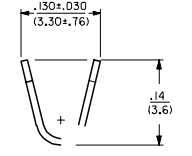
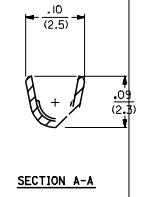
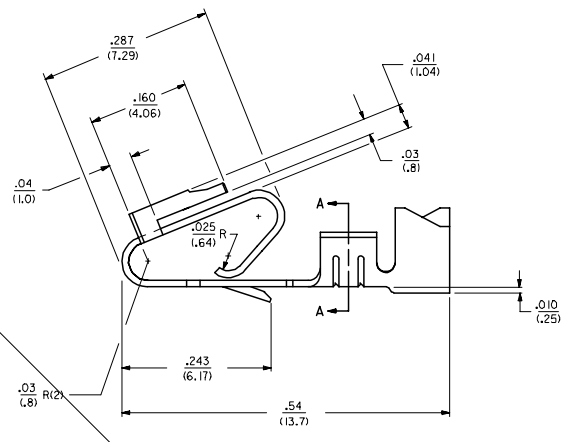
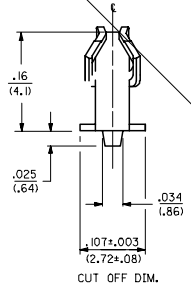
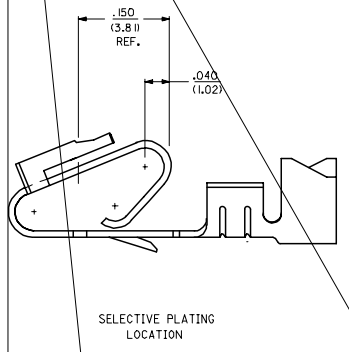
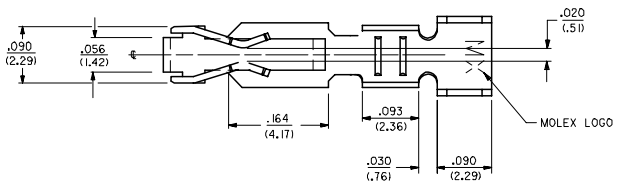
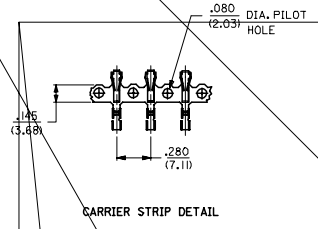
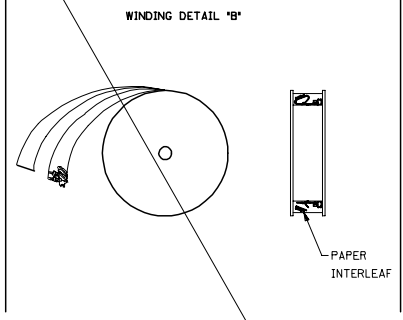
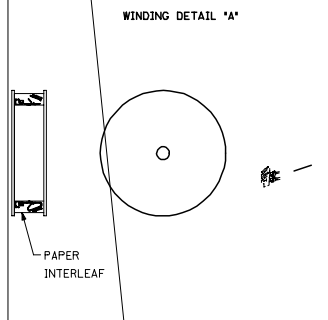


NOTES:  
 1. MATERIAL; SEE LEGEND  
 2. FINISH:  
 \*909 - OVERALL HOT TIN DP: .000100/(0.00254) MN.  
 102 - OVERALL TIN: .000200/(0.00508) MN.  
       OVERALL COPPER: .000100/(0.00254) MN.  
 132 - OVERALL TIN: .000200/(0.00508) MN.  
       OVERALL COPPER: .000200/(0.00508) MN.  
 503 - OVERALL HARD GOLD: .000030/0.



LEGEND: 6836-+ (+) + +  
 MATERIAL: (1.27)/.0106 THK  
 BLANK=BRASS  
 A=PHOS BRONZE  
 WINDING  
 A= PER DETAIL A  
 BLANK= PER DETAIL B  
 FORM  
 BLANK= CHAIN  
 L= LOOSE  
 PLATING  
 SEE NOTE 2





20

19

18

6

5

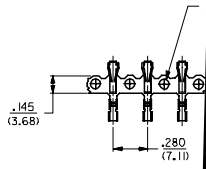
4

3

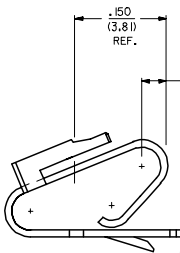
2

1

M



CARRIER STRIP DETAIL



SELECTIVE PLATING LOCATION

WINDING

