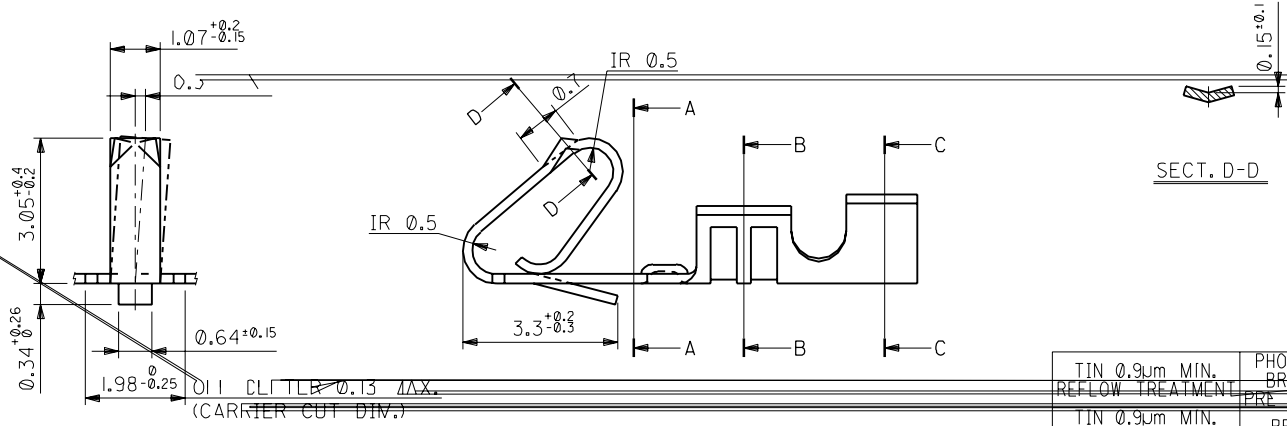
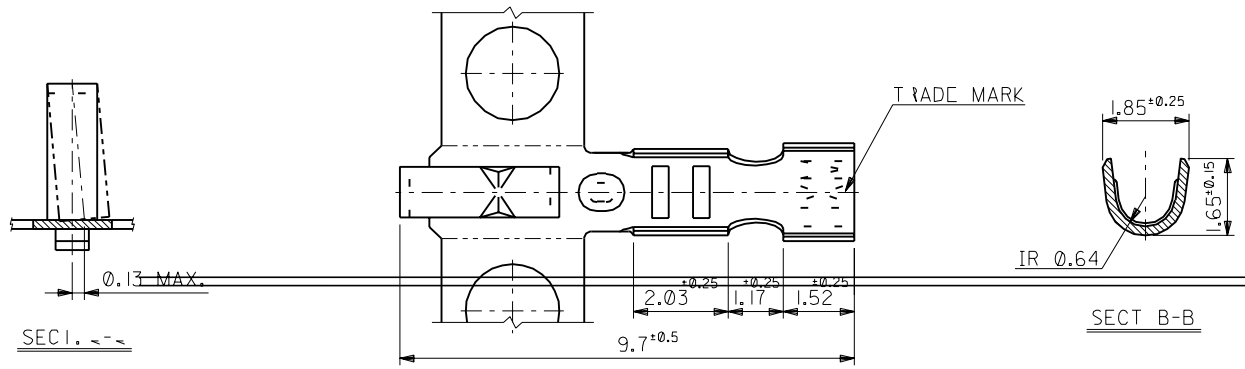


			08-	
			08-70-0048	
			08-70-0069	
			08-70-0064	
			EDP NO.	ENG. NO.

EDP NO. 08-70-00**
 ENG. NO SD-5159*

DIMENSIONS IN METRIC DO NOT SCALE DRAWING



TIN 0.9um MIN. REFLOW TREATMENT	PHOSPHOR BRONZE PRE PLATED
TIN 0.9um MIN. COPPER 0.5um MIN. PLATING	BRASS PRE PLATED MATERIAL

材料 MATERIAL SFE TABLE
 IH : 0.203

仕上げ FINISH SEE TABLE

適用電線範囲 WIRE RANGE AWG #22-

被覆外径 INS. RANGE Φ (1.2) - 1.5

角度 ANGLE	+3°				
30 以上 OVER	+0.3				
10 以上 30 未満 UNDER	+0.25	J	REVISED & REDRAWN	S.M.	90/7/9
10 未満 UNDER	+0.2				
一般公差 GENERAL TOLERANCES			記号 LTR	変更内容 REVISION RECORD	DR. CHK. DATE

REVISION RECORD
 DRAWN BY S.MOCHIZUKI
 APP'D BY 90/03/26 M.NOMOTO
 CHECK'D BY M.HJKUSHI
 尺度 SCALE 10

REVISION RECORD
 THIS DRAWING CONTAINS INFORMATION THAT IS PROPRIETARY TO MOLEX(JAPAN) AND SHOULD NOT BE DISCLOSED TO ANY OTHER PARTY WITHOUT THE WRITTEN PERMISSION OF MOLEX(JAPAN).
 本図面は日本モレックス(株)の所有する情報を含むもので 当社の許可なく複製を禁じます。