

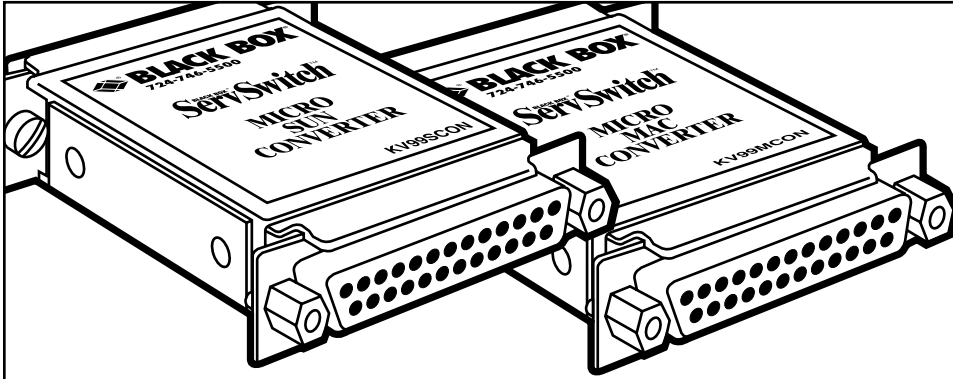
BLACK BOX[®]

NETWORK SERVICES

© 2000. All rights reserved.
Black Box Corporation.

Black Box Corporation • 1000 Park Drive • Lawrence, PA 15055-1018 • Tech Support: 724-746-5500 • www.blackbox.com • e-mail: info@blackbox.com

SERVSWITCH[™] MICRO MAC[®] & MICRO SUN[®] CONVERTERS



Attach your Apple Macintosh, Sun, or compatible computers to any of the CPU ports on many IBM PC type ServSwitch models!

Key Features

- ▶ **Converts PS/2 type keyboard and mouse signals to Apple Macintosh or Sun type signals, so you can connect an Apple CPU to ServSwitch models with no Apple or Sun support.**
- ▶ **Can be plugged directly into the CPU port of a ServSwitch.**
- ▶ **Gets all the power it needs from the attached ServSwitch.**
- ▶ **Status LED makes monitoring easy.**
- ▶ **Maps all standard Apple or Sun keyboard keys, including Power keys.**

Are there one or more Mac[®] or Sun[®] computers sitting in your data center that you'd like to connect to the same ServSwitch[™] KVM-switching system attached your other computers—but the ServSwitch model you're using doesn't support Mac or Sun?

ServSwitch[™] Micro Mac[®] Converters provide a simple way to connect Apple[®] Macintosh[®] computers that use Apple Desktop Bus[™] (ADB[™]) keyboards and mice to some ServSwitch models that don't have built-in ADB support. The Converters change IBM[®] formatted keyboard and mouse data into ADB format. (They don't do anything with the video signals; you'll probably also need a Mac[®] Video Adapter for ServSwitch[™]—our product code KV99MA—for any attached Mac that must see monitor ID to output video.)

For Sun Microsystems[®] to ServSwitch connections there's the ServSwitch[™] Micro Sun[®] Converter, which allows you to attach Sun computers to PC-compatible ServSwitches without built-in Sun keyboard/mouse support.

Each Converter's DB25 male end is designed to be plugged directly into the CPU port of a ServSwitch, where it will get all the power it needs to operate. The DB25 female end is designed to accept one-to-many CPU Cable.

ServSwitch models supported by the ServSwitch Micro Mac and Micro Sun Converters include:

- The PC-only regular ServSwitch (SW72x and KV3100 series).
- The ServSwitch[™] Affinity (KV130A).
- The Matrix ServSwitch[™] (SW740 series).
- The ServSwitch Professor[™] (KV780 series).
- The ServShare[™] (KV750 series).

Other switches that have the same type of CPU ports as the regular ServSwitch might also be compatible with the Micro Mac and Micro Sun Converters. Call Black Box Technical Support to find out whether a given model is supported or not.

Both Converters have a single status LED mounted on their sides that will:

- (a) be steadily lit if the Converter is operating properly, or
- (b) flash if the Converter's electronics ever fail.

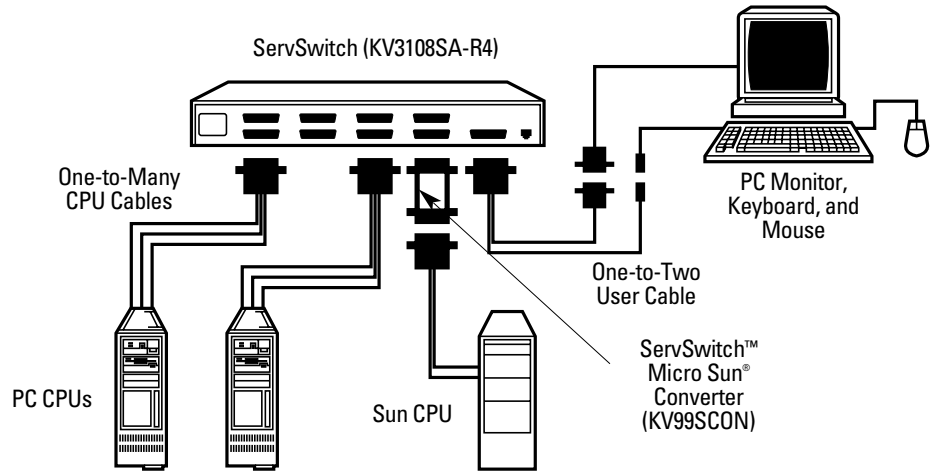
With either Converter in place, you *may* need to configure your KVM Switch to output "PC mode 3" type keyboard data and PS/2[®] type mouse data to the CPU port that the Converter is attached to.

The Converter will map PS/2 keystrokes to Apple or Sun keystrokes (depending on which Micro Converter you're using). This means that you need to use a 104/105-key "Windows[®] ready" keyboard, because the older 101/102 type keyboards don't have quite enough keys for real one-to-one key mapping.

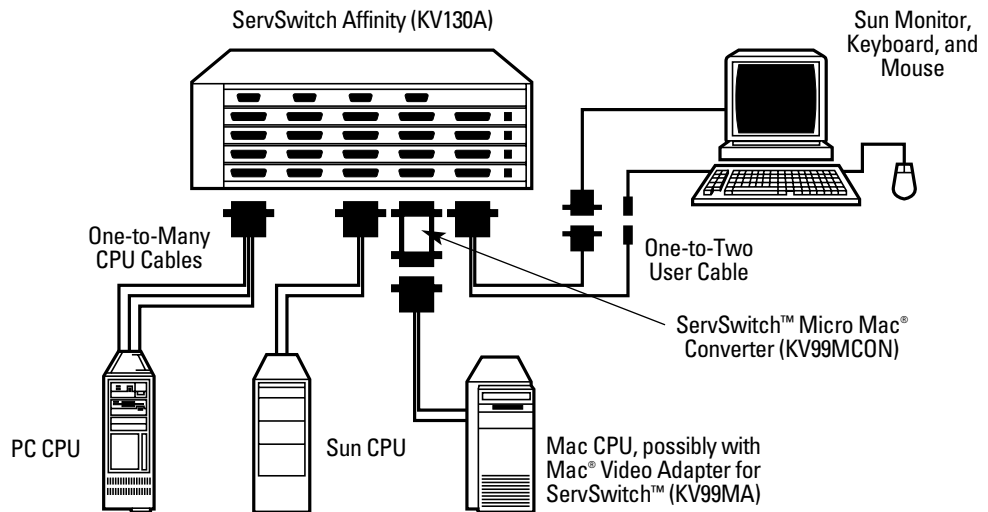
The Micro Sun Converter translates PC keyboard codes into codes that would be produced by a "U.S. English" Sun keyboard. If any of your Sun CPUs need to see a different keyboard language, please call Black Box Technical Support.



Connect your Sun CPUs to a regular ServSwitch in this manner...



...or make room for a Macintosh even on a ServSwitch that doesn't know a Mac from a pocket calculator.



Specifications

Compliance: FCC Part 15 Subpart J Class A, IC Class/classe A

Interfaces: Video:

KV99MCON: VGA or VGA-compatible 832 x 624 Apple Macintosh video; when used in tandem with KV99MA adapter, can also support other types of Mac video;

KV99SCON: VGA or VGA-compatible 1152 x 900 Sun video; depending on type of KVM switch and monitor used, might also support other types of Sun video;

Keyboard and mouse:

KV99MCON: Apple Desktop Bus (ADB);

KV99SCON: Sun type

Resolution: Transparent to video resolution and refresh rate

User Controls: None

Indicator: (1) Side-mounted status LED

Connectors:

- (1) Front-mounted DB25 female for cable attachment;
- (1) Rear-mounted DB25 male for plugging into Switch's CPU port

Power: 5 VDC at 50 mA from attached Switch's CPU port

Temperature Tolerance: 32 to 131°F (0 to 55°C)

Humidity Tolerance: Up to 80% noncondensing

Enclosure: Aluminum

Size: 0.8"H x 2"W x 2.5"D (2 x 5.1 x 6.4 cm)

Weight: 2 oz. (57 g)

Ordering Information

ITEM	CODE
------	------

ServSwitch™ Micro Mac® Converter	KV99MCON
--	----------

ServSwitch™ Micro Sun® Converter	KV99SCON
--	----------

You might also need...

Mac® Video Adapter for ServSwitch™	KV99MA
--	--------

Mac CPU/Server to ServSwitch Cable:

Standard, DB15 (Pre G3™) Connector	EHN215-0xxx*
---	--------------

Coax, DB15 (Pre G3™) Connector	EHN208-0xxx*
--------------------------------------	--------------

Standard, HD15 (VGA) Connector	EHN550-0xxx*
--------------------------------------	--------------

Coax, HD15 (VGA) Connector	EHN560-0xxx*
----------------------------------	--------------

Sun CPU/Server to ServSwitch Cable:

Coax, 13W3 (Sun type) Connector	EHN206-0xxx*
---------------------------------------	--------------

Coax, HD15 (VGA) Connector	EHN515-0xxx*
----------------------------------	--------------

*For the CPU Adapter Cables, xxx's are shown instead of the last three digits of the code because the cables come in several lengths. For example, the last three digits would be "005" for a 5' cable. CPU Cables are available in 5', 10', 20', 35', 50', 75', and 100' (1.5-m, 3-m, 6.1-m, 10.7-m, 15.2-m, 22.9-m, and 30.5-m) lengths.

