

Version 2.0 and IEEE 802.3 Transceiver Cables

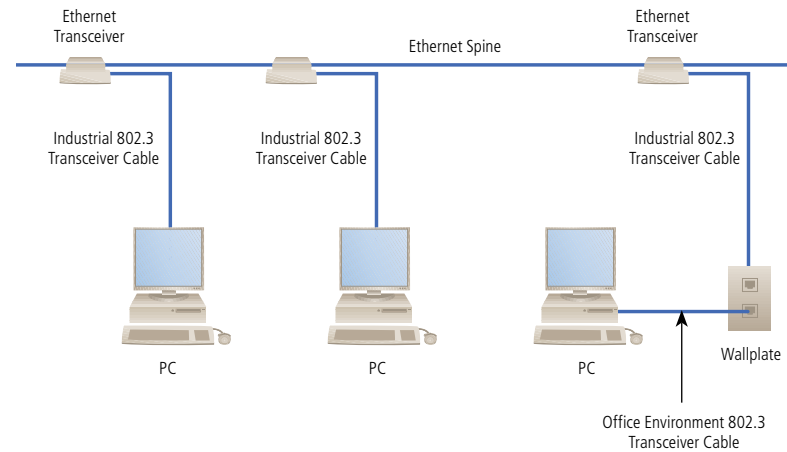
Get the best performance possible
from your Ethernet connections
with these Transceiver Cables.



FEATURES

- » Additional noise protection in high-noise environments.
- » Reduced signal breakup at maximum transmission distances.
- » Industrial or office environment cable available in two standard Ethernet versions.
- » Straight and right-angle connectors available.
- » PVC or plenum versions.

Run your Ethernet network on IEEE 802.3 Transceiver Cables.



OVERVIEW

The right connections are vital to the trouble-free operation of your network. You can lose performance drastically, for example, by getting false or excessive collision indications on your network when your cable is not grounded to the right pin. That's why you need BLACK BOX® Version 2.0 and IEEE 802.3 Transceiver Cables. Available in two versions (Industrial and Office), these cables are perfect for any operating environment. The Industrial version is best for in-wall installations from the Ethernet transceiver to a wallplate.

We also have an Office Environment Transceiver Cable when you need to run through tight spaces from the wallplate to your equipment. This cable is lightweight and flexible enough to be easily twisted, turned, and looped around office furniture up to 16 feet (4.9 m) from the wallplate.

The plenum versions of these cables meet all NEC® Compliant Cable Codes for air plenum installation; PVC versions are also available.

Transceiver Cables are available with straight connectors or right-angle connectors. Right-angle connectors enable you to make hook-ups where space is at a premium. Right-angle hoods at each end of the cables have male or female connectors that make installation easy.

You can run the Industrial Transceiver Cable to a maximum length of 164 feet (50 m) without significant signal degradation. Also, the isolated ground shield of all 802.3 cable gives additional protection in noisy operating environments.

The results you get from your network will depend largely on the cable you can choose to run it. Your data is too valuable to be crippled by the wrong cable or cable that's less than top quality. That's why we use only the finest components on the market.

Technically Speaking

- There are three Ethernet standards: Version 1, Version 2, and 802.3. In Version 2, all shields are connected to Pin 1 and the AUI connector shell. Most Ethernet cables are built this way.
- In Version 802.3, all shields of the individual signal and power pairs are connected to Pin 4. The overall AUI cable shield is connected to the AUI connector shell to provide a cable ground.
- Most Ethernet Version 1 equipment uses Version 2-type cables.

TECH SPECS

Cable Construction — Gray PVC or plenum jacket
 Conductor Gauge — 20 AWG
 Conductor Material — Tinned annealed copper
 Number of Conductors — 9
 Outside Diameter — 0.4 inch (1 cm)
 Resistance — 10.4 ohms per 1000 ft. (304.8 m) at 20°C (68°F)
 Shield — Individually shielded pairs, 100% foil and braided

Technically Speaking

You can run 802.3 cable from any Ethernet transceiver to a computer. Equipment that needs this type of cable has all shields of the individual signal and power pairs connected to Pin 4. Data General, for example, builds its computers to comply with IEEE 802.3.



LCN210-0003



LCN216-0010

Buyer's Guide | Guide Title Here

Office Environment Ethernet Transceiver Cable	Ethernet Standard	3-ft. (0.9-m)	6-ft. (1.8-m)	10-ft. (3-m)	15-ft. (4.5-m)	Custom Lengths
Straight Connectors (PVC)	Version 2.0	LCN210-0003	LCN210-0006	LCN210-0010	LCN210-0015	LCN210
Straight Connectors (PVC)	IEEE 802.3	LCN215-0003	LCN215-0006	LCN215-0010	LCN215-0015	LCN215
Right-Angle Connectors (PVC)	IEEE 802.3	LCN216-0003	LCN216-0006	LCN216-0010	LCN216-0015	LCN216

Buyer's Guide | Guide Title Here

Industrial Ethernet Transceiver Cable	Ethernet Standard	10-ft. (3-m)	15-ft. (4.5-m)	30-ft. (9.1-m)	50-ft. (15.2-m)	150-ft. (45.7-m)	Custom Lengths
Straight Connectors (PVC)	Version 2.0	LCN200-0010	LCN200-0015	LCN200-0030	LCN200-0050	LCN200-0150	LCN200
Straight Connectors (Plenum)	Version 2.0	LCN250-0010	LCN250-0015	LCN250-0030	LCN250-0050	LCN250-0150	LCN250
Straight Connectors (PVC)	IEEE 802.3	LCN205-0010	LCN205-0015	LCN205-0030	LCN205-0050	LCN205-0150	LCN205
Right-Angle Connectors (PVC)	IEEE 802.3	LCN206-0010	LCN206-0015	LCN206-0030	LCN206-0050	LCN206-0150	LCN206
Straight Connectors (Plenum)	IEEE 802.3	LCN255-0010	—	—	LCN255-0050	LCN255-0150	LCN255
Right-Angle Connectors (Plenum)	IEEE 802.3	LCN256-0010	LCN256-0015	LCN256-0030	LCN256-0050	—	LCN256

Why Buy From Black Box? Exceptional Value. Exceptional Tech Support. Period.

Recognize any of these situations?

- You wait more than 30 minutes to get through to a vendor's tech support.
- The so-called "tech" can't help you or gives you the wrong answer.
- You don't have a purchase order number and the tech refuses to help you.
- It's 9 p.m. and you need help, but your vendor's tech support line is closed.

According to a survey by *Data Communications* magazine, 90% of network managers surveyed say that getting the technical support they need is extremely important when choosing a vendor. But even though network managers pay anywhere from 10 to 20% of their overall purchase price for a basic service and support contract, the technical support and service they receive falls far short of their expectations—and certainly isn't worth what they paid.

At Black Box, we guarantee the best value and the best support. You can even consult our Technical Support Experts before you buy if you need help selecting just the right component for your application. Don't waste time and money—call Black Box today.