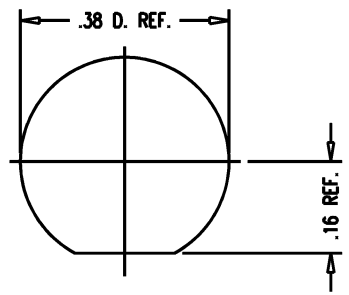
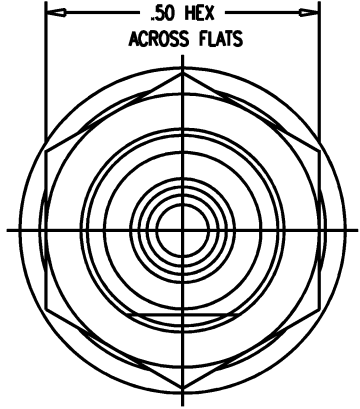
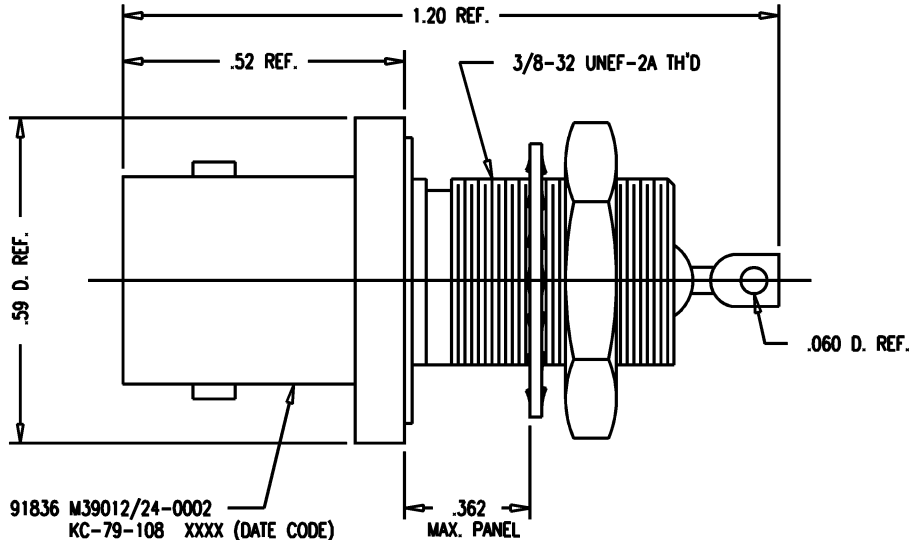


GSD

M39012/24-0002

REVISIONS	
ISSUE	CHANGES
4	CN 26686 E MJB 9JAN85
5	CN 32297 A LNM 06/15/90

ARJ0147



MOUNTING HOLE

STAMP: 91836 M39012/24-0002
KC-79-108 XXXX (DATE CODE)

NOTES:

1. INTERFACE PER MIL-STD-348, FIGURE 301-2.
2. MATERIALS:
INSULATOR: TEFLON, ASTM-D-4894
GASKET: SIL. RUBBER, ZZ-R-765
LOCKWASHER: PHOS. BRONZE, ASTM-B-103
CONTACT: BER. COPPER, ASTM-B-196
ALL OTHER METAL PARTS: BRASS, ASTM-B16
3. FINISHES:
CENTER CONTACT: GOLD PLATE PER MIL-G-45204
GLASS TERMINAL: TIN PLATE PER MIL-T-10727
ALL OTHER METAL PARTS: SILVER PLATE PER QQ-S-365
4. ELECTRICAL CHARACTERISTICS:
NOMINAL IMPEDANCE: 50 Ω W
FREQUENCY RANGE: DC TO 11 GHz
WORKING VOLTAGE: 500 VOLTS RMS
5. ENVIRONMENTAL:
LEAKAGE RATE SHALL NOT EXCEED 1×10^{-7} cc/sec OF TRACER GAS AT ATMOSPHERIC PRESSURE.

SCALE 4:1	
APPROX SURFACE AREA	
KC-79-108	
USED ON	
REF:	
BNC BULKHEAD RECEPTACLE (HERMETIC SEALED)	
DRAWN AJ	DATE 12/01/89
DESIGN MJB	DATE 12/05/89
APPR.	DATE

GSD

KINGS
ELECTRONICS CO., INC.
TUCKAHOE, NEW YORK 10707
M39012/24-0002