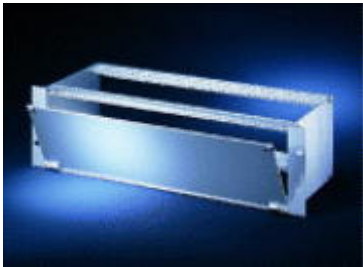


Partial front panel, bottom-hinged

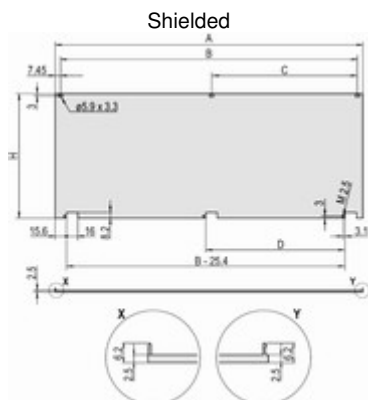
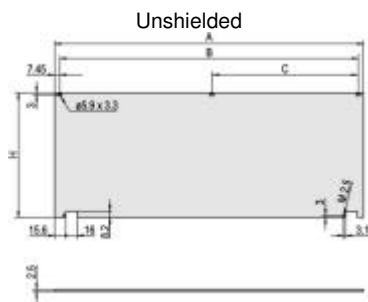


Article number: 20838-273

- For subracks and case, can be unhinged at 135° (subracks, ratiopacPRO, propac case)
- Usable height is not reduced
- For mounting on horizontal rails
- Unshielded

Delivery quantity: (kit)

Item	Qty	Description
1	1	Front panel, hinged, 2.5 mm aluminium anodised, cut edges clean
2	2	Hinge, diecast zinc, nickel-plated
3	2	Sleeve, PA
4	2	Knurled screw M2.5 x 12.3, St, nickel-plated
5	1	Assembly parts



Technical data:

Height	Width	A	B	C	H	Description
3 U	84 HP	426,4 mm	411,5 mm	208,3 mm	128,4 mm	Partial front panel, unshielded

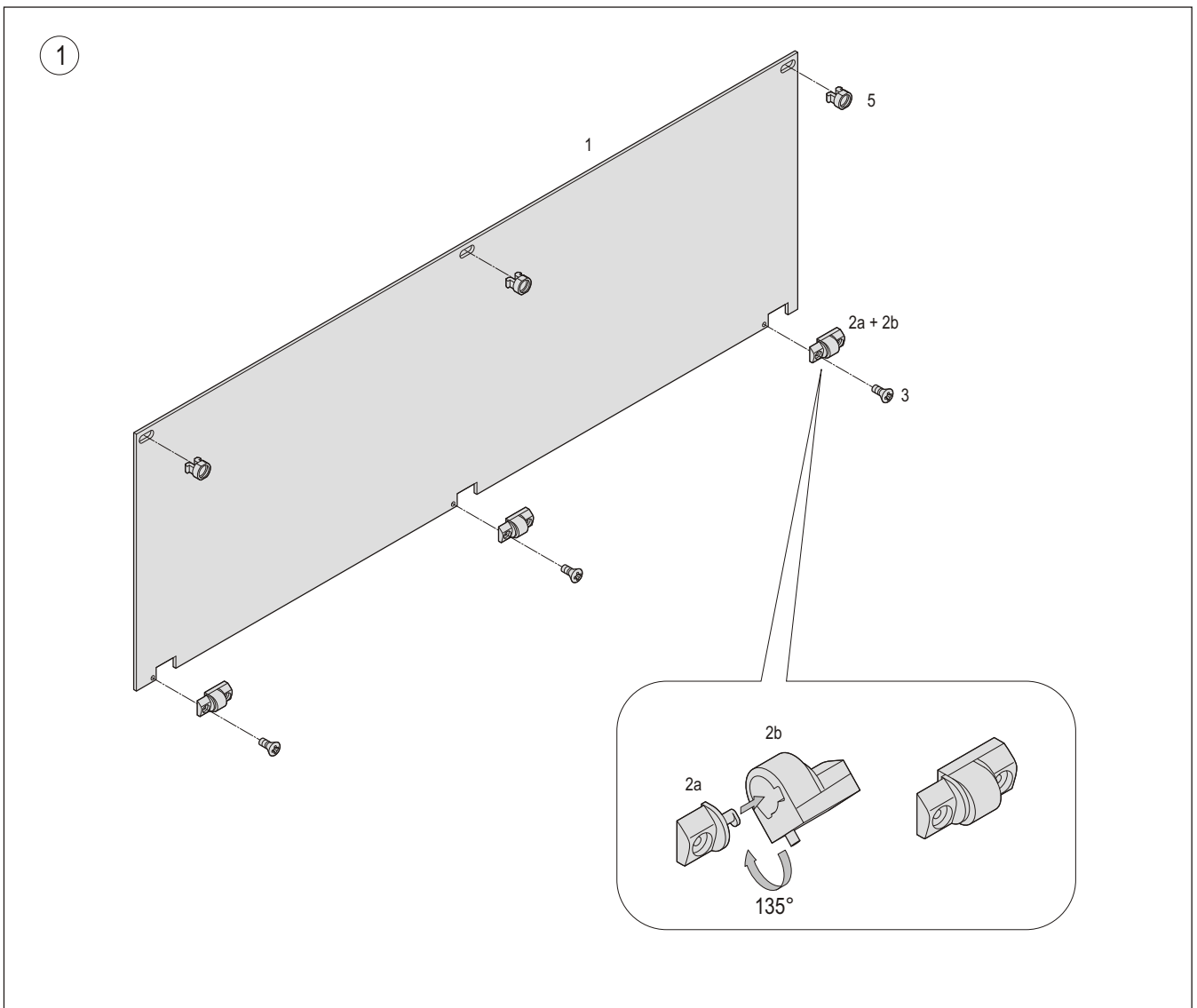
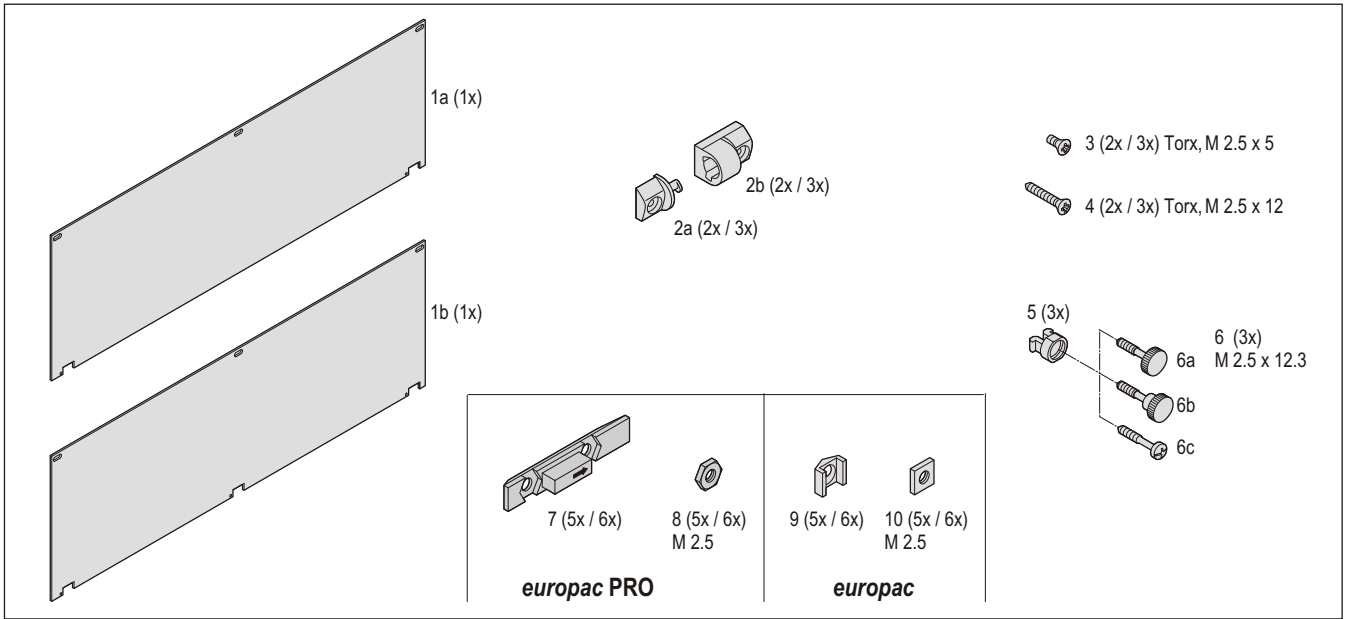
Notes:

- Dimension C only by 84 Hp unshielded

**Montageanweisung
Frontplatte klappbar**

**Assembly instructions
front panel, bottom-hinged**

**Instruction de montage
faces avant modulaires abattantes**



2

