

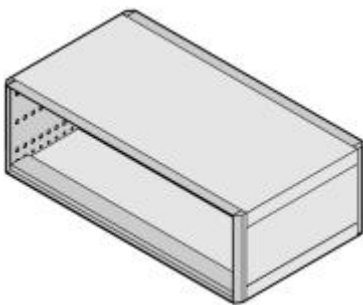
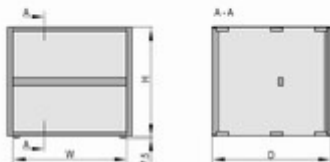
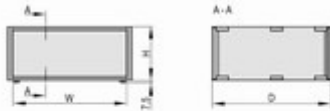
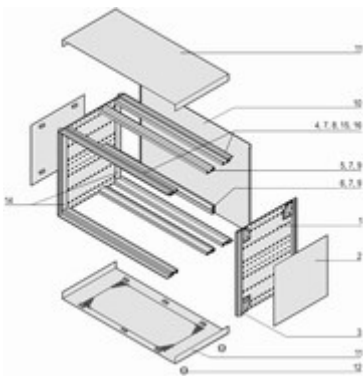
ratiopacPRO complete case



Article number: 24572-051

- Desktop case with easy to remove covers
- EMC shielded
- Threaded inserts, perforated strips and shielding components pre-mounted, for backplane assembly
- Identical front and rear symmetrical design

Delivery quantity: in kit form

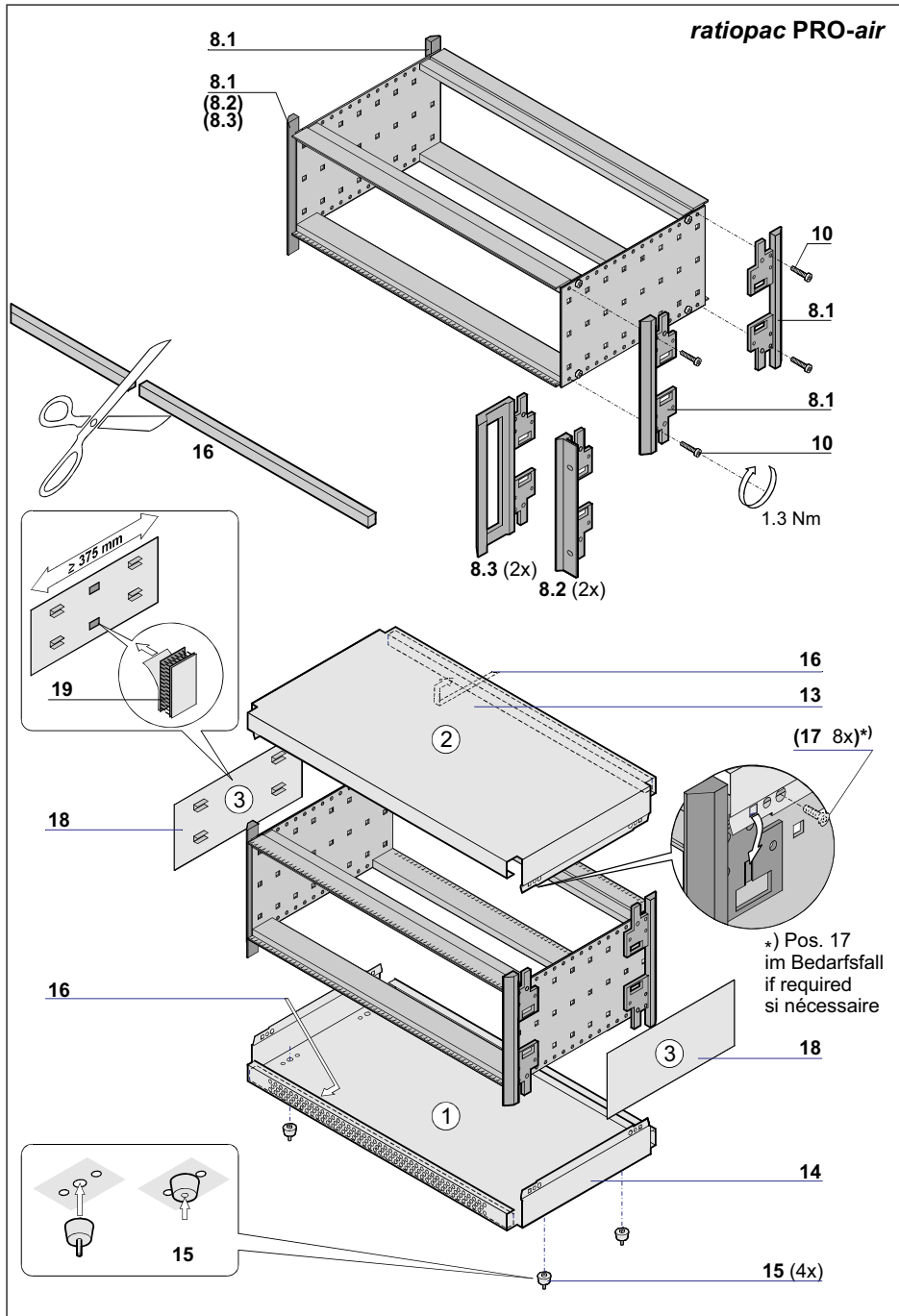


Front trim

Item	Qty	Description
		with EMC
1	2	Side panel, aluminium, clear chromated
2	2	Side plate, aluminium chromated, visible surface RAL 9006
3	4	Cover / panel, diecast zinc, RAL 7016, pre-mounted
4	4	Horizontal rail, aluminium, visible surfaces RAL 7016
5	2	Rear horizontal rail, aluminium
6	1	Centre horizontal rail (only with 6 U), aluminium
7	6	Threaded inserts, steel, pre-mounted, for backplane assembly with insulation strips
8	4	Perforated strip, aluminium 1 mm, pre-mounted
9	4	Insulation strip, PBT UL-94 V-0
10	1	Rear panel with perforation, 2.5 mm aluminium
11	2	Top and base, aluminium, internal surface conductive, visible surfaces RAL 9006, with GND/ earthing connection, base with ventilation holes
12	4	Case foot, PC black, anti-slip protection
-	1	GND/earthing kit
14	1	Contact strip for side panel, pre-mounted (set)
15	1	Contact strips for cover pre-mounted (set)
16	4	Contact strips for front panel - horizontal rails
-	1	Other assembly parts (set)

Technical data:

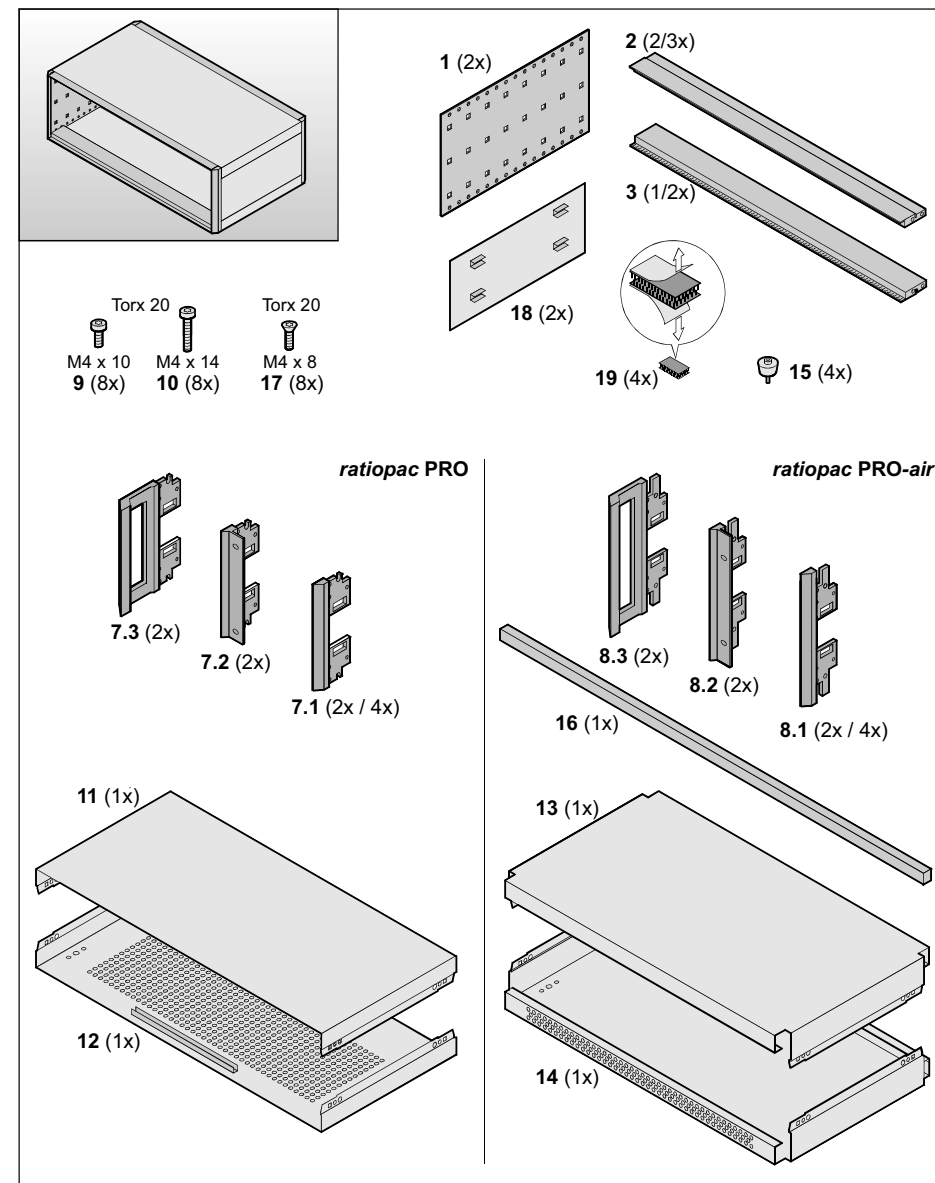
Height	Width W	Depth D	Description
3 U	42 HP	255,5 mm	EMC shielded



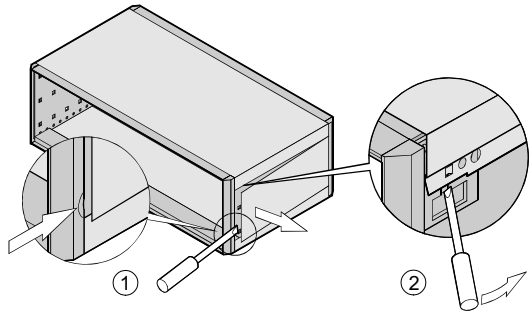
**Montageanweisung
ratiopac PRO / -air**

**Assembly instructions
ratiopac PRO / -air**

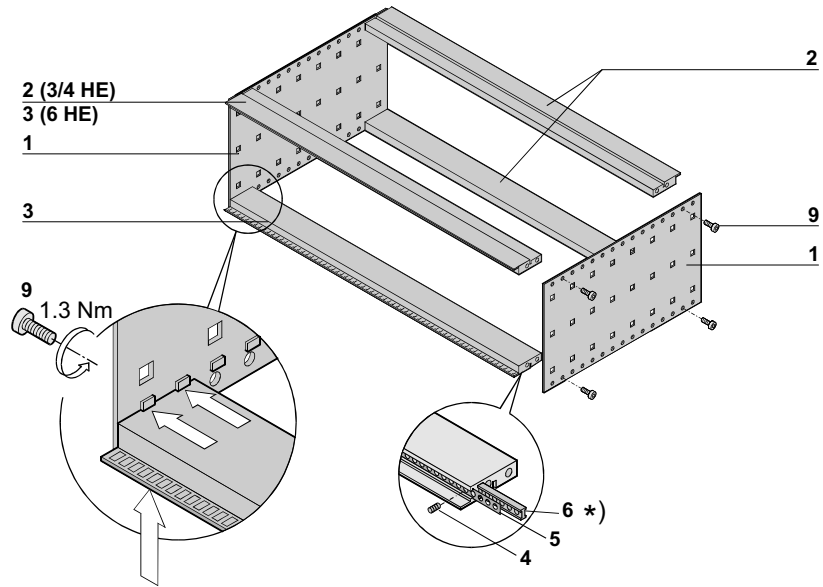
**Instruction de montage
ratiopac PRO / -air**



Demontage
Disassembly
Démontage



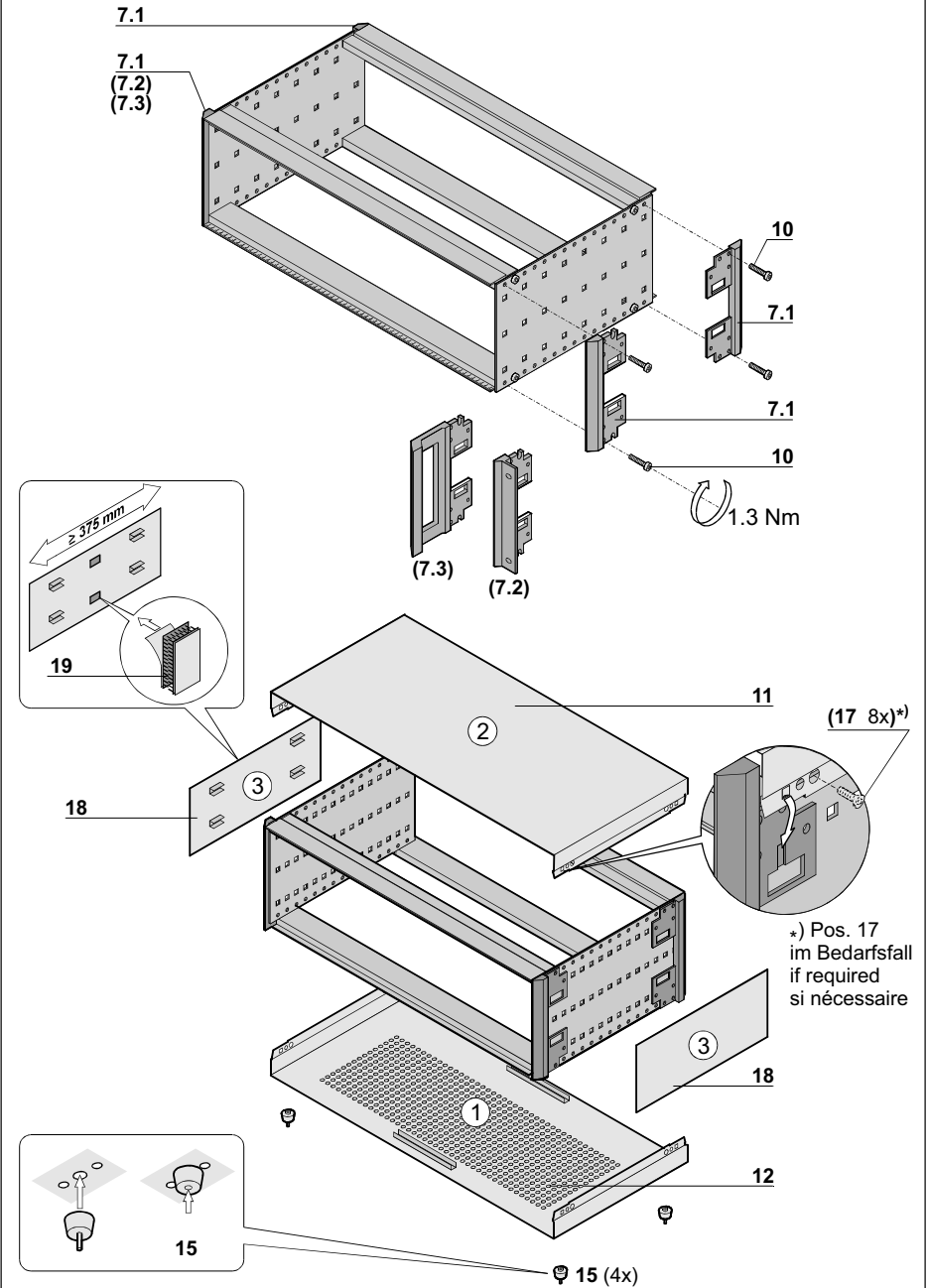
ratiopacPRO / ratiopacPRO air



1 HE = 1 U

*) Pos. 4 - 6
nicht im Lieferumfang enthalten!
please order separately!
à commander séparément!

ratiopac PRO



*) Pos. 17
im Bedarfsfall
if required
si nécessaire

Montageanweisung

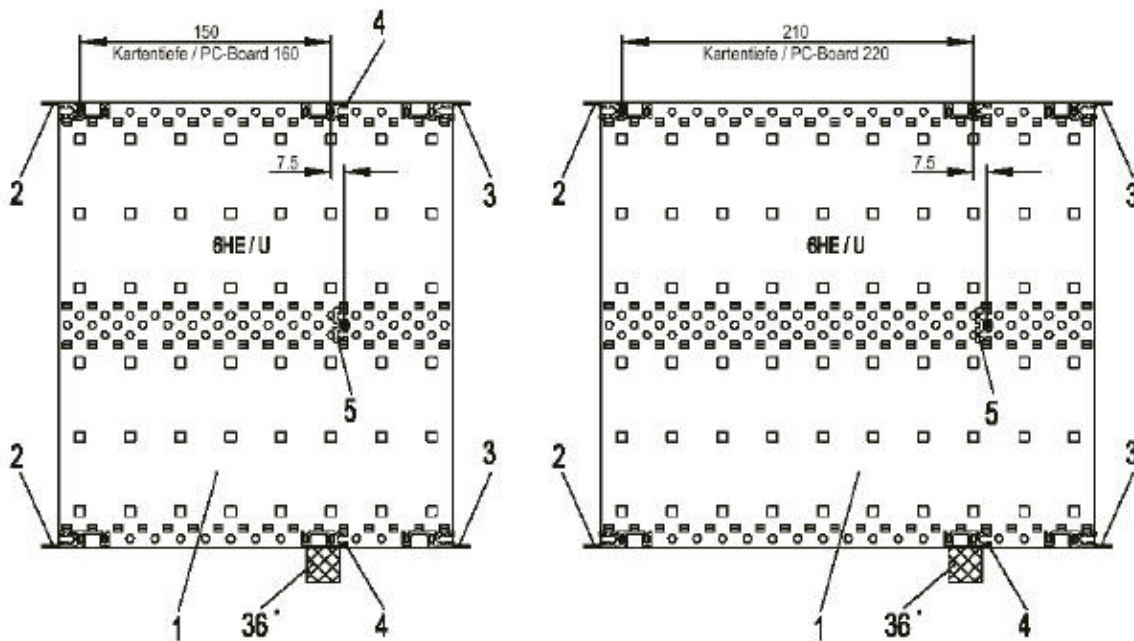
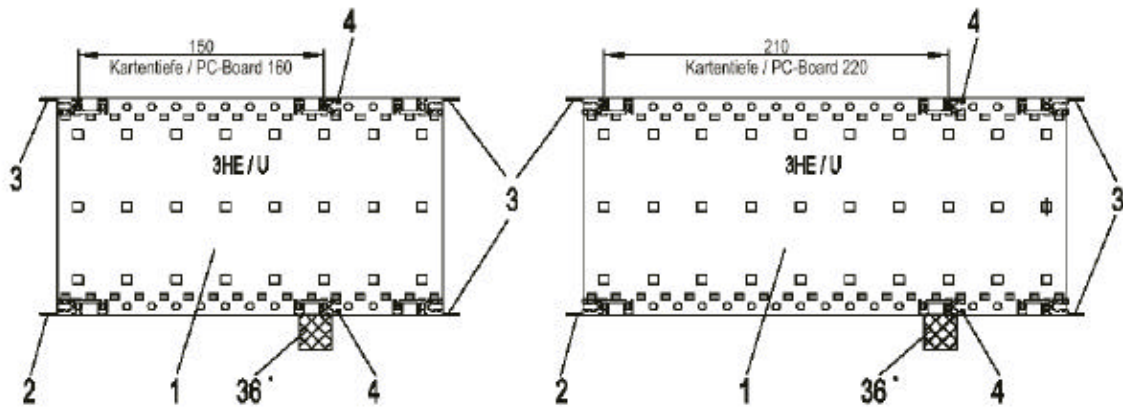
Assembly instructions

Instructions de montage

Modulschienenausbau

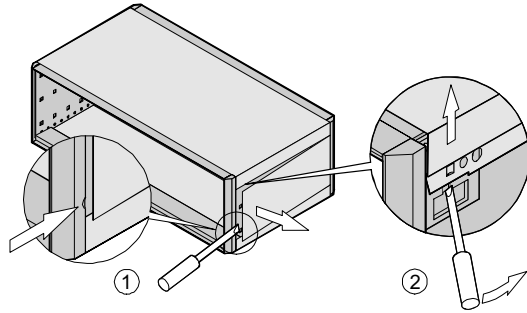
Assembly horizontal rails

Montage profils avant



- ratiopacPRO air

**Demontage
Disassembly
Démontage**

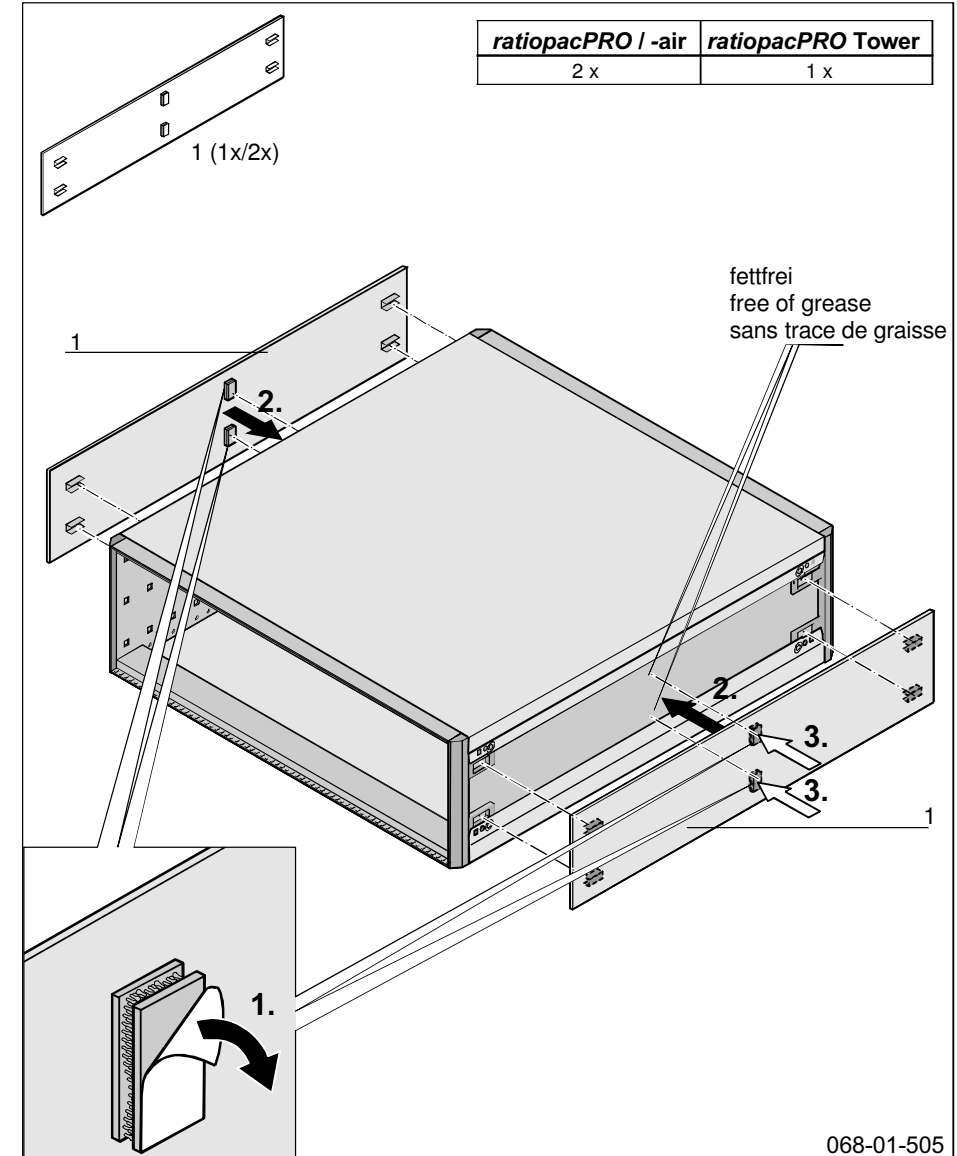


068-01-513

**Montageanweisung
ratiopacPRO / -air
Seitenwand-
Druckverschluss**

**Assembly instructions
ratiopacPRO / -air
Sidepanel-
spring clips**

**Instructions de montage
ratiopacPRO / -air
Flancs-
fixés par pression**



A Austria
Votboth Christian Drott KG
Frustrass 4,
A-6832 Sutz/Vorarlberg
Tel.: + 43 (0)5522 494 20
Fax.: + 43 (0)5522 421 41
info@votbothm.com
www.votbothm.com

AUS Australia
Mayer Krieg & Co.
50 Mary Street, Unley
5061 Adelaide
Tel.: + 61 (0)8 8291 32 22
Fax: + 61 (0)8 8291 32 00
info@mayerkrieg.com.au

B Belgium
Geveke Industrial Multitechnic nv
Leuvensesteenweg 250A
1800 Vilvoorde
Tel.: + 32 (0)2 257 02 50
Fax: + 32 (0)2 252 49 59
info@geveke.be

CDN Canada
Schroff Inc.
111 Grangeway Ave., Suite 504
Scarborough, Ontario M1H 3E9
Tel.: + 1 (416) 289 27 70
Fax: + 1 (416) 289 28 83

CH Switzerland
Rotronic AG
Grindelstr. 6
8303 Bassersdorf
Tel.: + 41 (0)1 838 12 12
Fax: + 41 (0)1 837 00 74
ime@rotronic.ch

CN China
Shanghai Alberta Electronic Company Ltd.,
164 Kele Road Chang Ning Area, Shanghai
Tel.: + 86 21 5218 1122
Fax: + 86 21 6238 3952
shanghai@alberta.com.cn

CZ Czech Republic
ZTC electronic
P.O. Box 34,
14900 Praha 415
Tel.: + 420 (0)2 67 91 00 82
Fax: + 420 (0)2 67 91 06 41
ztc@ztc.cz

D Germany
Schroff GmbH
Langenalber Str. 96-100
75334 Straubenhardt
Tel.: + 49 (0)7082 794 0
Fax: + 49 (0)7082 794 200
info@schroff.de
www.schroff.de

DK Denmark
Knud Wexoe A/S
Skærbjækeret 11,
DK-2840 Høje
Tel.: + 45 (0)45 465 800
Fax: + 45 (0)45 465 801
wexoe@wexoe.dk

E Spain
Cervalsa
Ulises, 104,
E-28043 Madrid
Tel.: (+ 34) 91 721 60 10
Fax.: (+ 34) 91 300 08 79
sismecanic@cervalsa.es

EST Estonia
AS Scanditron
Laki 12, 10621 Tallinn
Tel.: + 372 (0)2 656 27 33
Fax.: + 372 (0)2 656 27 31
scanditron@scanditron.com

F France
Schroff SA
Z.I., 4 rue du Marais
67060 Betschdorf
Tel.: + 33 (0)3 88 90 64 80
Fax.: + 33 (0)3 88 90 64 88
www.schroff.fr

FIN Finland
Schroff Scandinavia AB
Pertsimientie 9
03100 Nummela
Tel.: + 358 (0)9 222 68 00
Fax.: + 358 (0)9 222 38 86
info_fin@schroff.de

H Hungary
NB Electronic Kft.
Kacsaszőlő u. 2
1033 Budapest
Tel.: + 36 (0)1 387 14 55
Fax.: + 36 (0)1 453 08 26
nbelectronic@nbelectronic.hu

HK Hong Kong
Alberta Electronic Co. Ltd.
Blk. C&D, 10/F Eldex Ind. Bldg.,
21 Matawai Rd.
Kowloon, Hong Kong
Tel.: + 852 2334 27 88
Fax: + 852 2393 00 23
ime@alberta.com.hk

HR Croatia
Chronos Plus D. O. O.
Medvedgradska 35
10000 Zagreb
Tel.: + 385 (0)1 466 70 59
Fax: + 385 (0)1 466 69 77
chronos@zg.tel.hr

I Italy
Schroff srl
Viale Milano, 119
21013 Gallarate (Varese)
Tel.: + 39 (0)331 794 003
Fax: + 39 (0)331 793 450
schroff@tin.it

IL Israel
Ram Nir Electronic Pack. & Services
4th Ben-Gurion Str.
74030 Nes-Ziona
Tel.: + 972 (0)8 940 96 19
Fax: + 972 (0)8 940 12 86
ramdevelopment@ramdevelopment.com

IRL Ireland
New England Technical Sales Ltd.
The Diamond Malahide, Co.
Dublin
Tel.: + 353 (0)1 845 06 35
Fax: + 353 (0)1 845 36 25

J Japan
Schroff K. K.
Nisso No.13 Bldg. 4F
2-5-1 Shinyokohama, Kohoku-ku,
Yokohama-shi
Kanagawa 222-0033
Tel.: (+ 81) 045 476 02 81
Fax: + 81 (0)45 476 02 89

LT Lithuania
UAB Agava
Gedimino 47, 3000 Kaunas
Tel.: + 370 (0)7 202 410
Fax.: + 370 (0)7 207 414
agava@kaunas.agava.lt

SOMI Ltd.
31 Antakainio st., 2055 Vilnius
Tel.: + 370 (0)2 709 000
Fax.: + 370 (0)2 709 066
info@somil.lt
www.somil.lt

N Norway
Schroff Scandinavia AB
Bjernerudveien 24, N-1266 Oslo
Tel.: + 47 (0)22 763 360
Fax.: + 47 (0)22 763 369
info_nor@schroff.de

NL The Netherlands
Getronics Industrial Automation BV
Donauweg 10, NL-1043 AJ Amsterdam
Tel.: + 31 (0)20 586 16 05
Fax: + 31 (0)20 586 19 85
info.giea@getronics.com

NZ New Zealand
Mayer Krieg New Zealand Limited
34 C, Hobill Avenue, Manukau City
Auckland
Tel.: + 64 (0)9 262 24 61
Fax: + 64 (0)9 262 24 74
info@mayerkrieg.co.nz

P Portugal
Arestel - Componentes e
Equipamentos Eletrónicos, S.A.
Pct. Proj. Av. Dr. Mário Mourinho, lote
1529-cave, 1400-136 Lisboa
Tel.: + 351 (0)21 303 08 50
Fax: + 351 (0)21 301 62 21
arestel@mail.telepac.pt

PL Poland
Schroff GmbH / Sp. z o.o. /
- oddział w Polsce
Marynarska 19A, 02-674 Warszawa
Tel.: + 48 (0)22 607 06 16
Fax.: + 48 (0)22 607 06 21
info@schroff.pl
www.schroff.pl

RC Taiwan
Lumax International Corp., Ltd.
7th Fl., 52, Sec. 3,
Nan-Kang Rd., Taipei Taiwan R. O. C.
Tel.: + 886 (0)2 27 88 36 56
Fax: + 886 (0)2 27 88 35 68
jimchou@lumax.com.tw

RI Indonesia
P.T. Kota Mirnyak Automation Indonesia
Jl. Bandengan Selatan
600 Jakarta Utara, 14450 Indonesia
Tel.: + 62 (0)21 662 17 25
Fax: + 62 (0)21 662 17 33
safety@indo.net.id

P. T. Nego Electrindo
Komplek Sentra Kramat, Blok A18
Jl. Kramat Raya No.7-9
Jakarta 10450 Indonesia
Tel.: + 62 (0)21 315 62 18
Fax.: + 62 (0)21 315 62 19
negoel@rad.net.id

ROK Korea
Ara Electronics Co., Ltd.
501 Daeryung Techno-Town I
227-24 Kasan-dong, Kunchon-city
Seoul 153-023
Tel.: + 82 (0)2 855 54 00
Fax.: + 82 (0)2 855 34 90
iskim@ara.co.kr
www.ara.co.kr

RUS Russia
Prosoff Ltd.
108, Prosoznaya Str.
117437 Moscow
Tel.: + 7 095 234 06 36
Fax: + 7 095 234 06 40
root@prosoff.ru
www.prosoff.ru

S Sweden
Schroff Scandinavia AB
Box 2003, 12621 Skarpnack
Tel.: + 46 (0)8 683 61 00
Fax.: + 46 (0)8 683 61 99
info_swe@schroff.se
www.schroff.se

SGP Singapore
Hoffman Schroff Singapore Pte. Ltd.
25 1st Business Park,
01-68/71 German Centre
Singapore 609916
Tel.: + 65 562 78 90
Fax: + 65 562 78 99
hoffmanschroff@pacific.net.sg

SLD Slovenia
IC Elektronika D. O. O.
Vodovodna 100, PP 2514
1001 Ljubljana
Tel.: + 386 (0)61 1 65 31 50 25
Fax: + 386 (0)61 1 65 31 70 20
marco@ic-elect.si

T Thailand
F. E. Zuellig (Bangkok) Ltd.
11/F Ploenchit Center
2 Sukhumvit Road
Kwangong Klongtongy, Khet Klongtongy
Bangkok 10110
Tel.: + 66 (0)2 656 87 10
Fax: + 66 (0)2 656 87 67
electrical@zi-th.com

UK Great Britain
Schroff UK Ltd.
Maylands Avenue
Hemel Hempstead,
Herts HP2 7DE
Tel.: + 44 (0)1442 240 471
Fax: + 44 (0)1442 213 508
sales_uk@schroff.co.uk
www.schroff.co.uk

USA United States of America
Pentair Electronic Packaging
170 Commerce Drive
Warwick, RI 02886
Tel.: + 1 (401) 732 37 70
Fax: + 1 (401) 738 79 88
info@pentair-ep.com
www.pentair-ep.com

ZA South Africa
Pascom Electronics (Pty) Ltd.
13 Delphi Street,
Eastgate Ext. 18, Sandton
2144 Wendywood
Tel.: + 27 (0)11 444 10 01
Fax: + 27 (0)11 444 10 80
net@pascom.co.za

Schroff®

**Erdungsanweisung
ratiopac PRO / -air**

nach EN 60950/11.93
EN 61010 T.1/03.94
pr EN 50178/1994
(E DIN VDE 0160/11.94)

**Assembly instructions
ratiopac PRO / -air**

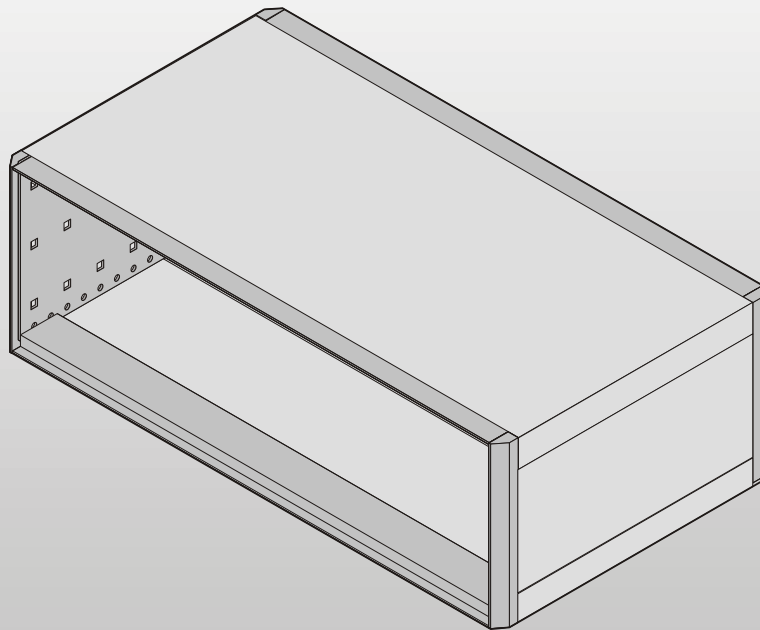
to EN 60950/11.93
EN 61010 T.1/03.94
pr EN 50178/1994
(E DIN VDE 0160/11.94)

**Instruction de montage
ratiopac PRO / -air**

selon EN 60950/11.93
EN 61010 T.1/03.94
pr EN 50178/1994
(E DIN VDE 0160/11.94)

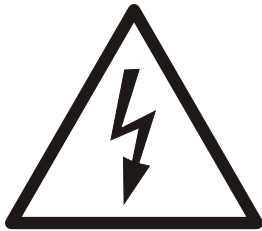
IMPORTANT!

These assembly instructions
must be adhered to in order to
comply with earthing
regulations!



64 571-116 Rev. 1





Vorsicht Lebensgefahr!

Elektromontage nur durch Fachpersonal zulässig.
VDE-Vorschriften beachten!

Danger!

Electrical assembly must be carried out by technical staff only according to VDE/IEEE regulations.

ATTENTION

Danger de mort!

Montage électrique exclusivement par personnel qualifié.
Respecter les prescriptions applicables.

“ußerer Anschlußpunkt”

Die Schutzleiterzuleitung zum “ußerer Anschlußpunkt” erfolgt kundenseitig und darf bei diesem Erdungsset den Kabelquerschnitt von 1,5 mm² nicht überschreiten. Am ußerer Anschlußpunkt wird das Erdungszeichen ⊕ angebracht.

“External connection point”

The customer connects the earth/ground to the “external connection point”; the cable cross-section of 1.5 mm² should not be exceeded with this earthing/grounding kit. The earth/ground label ⊕ is attached at the external connection part.

“Point de raccordement extrême”

La pose du conducteur qui ira relier le point de “raccordement extrême” incombe l’acquéreur. La section de ce conducteur ne doit, pour ce n cessaire de mise la masse, pas dépasser 1,5 mm². Au point de raccordement extrême se trouve le symbole de masse ⊕.

Frontplatten / Fronttren

Besteht die Gefahr, daß im Versagensfall überhöhte Spannungen in den Bereich der Frontplatte gelangen, so ist diese ebenfalls nach VDE-Richtlinien zu erden.

Frontpanels / Front door

In the event of a failure, which could cause high voltage to reach the front panel, the panel should be grounded to VDE specifications.

Faces avant/Porte avant

Si par suite d’un défaut les faces avant risquent de se trouver sous tension, celles-ci doivent également être reliées à la masse selon les directives VDE.

Hinweis

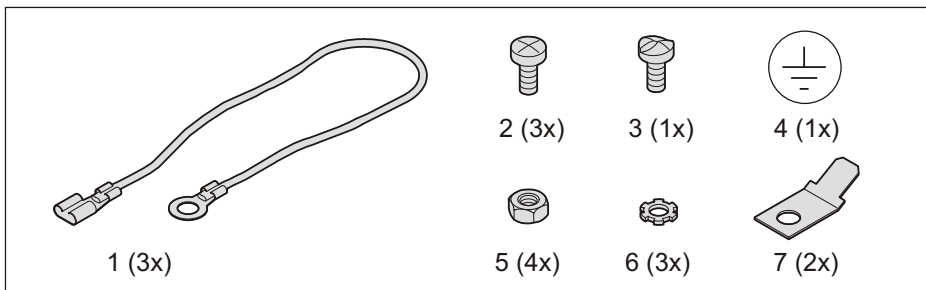
Für die VDE-gerechte Erdung des Endgerätes ist der Hersteller verantwortlich.

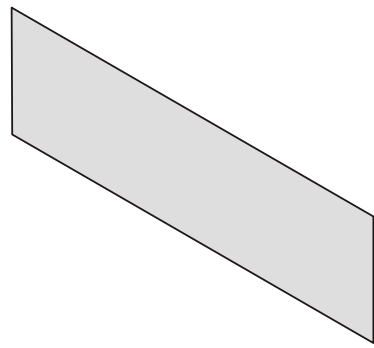
Note

The manufacturer is responsible for GND/earthing the final equipment to VDE specifications.

Ramarque

La mise à la masse conforme VDE de l’appareillage incorporé incombe son fabricant.





Schutzleiter von außen
(Max. 1,5 mm²)

Protective GND/earth lead from
outside
(Max. 1.5 mm²)

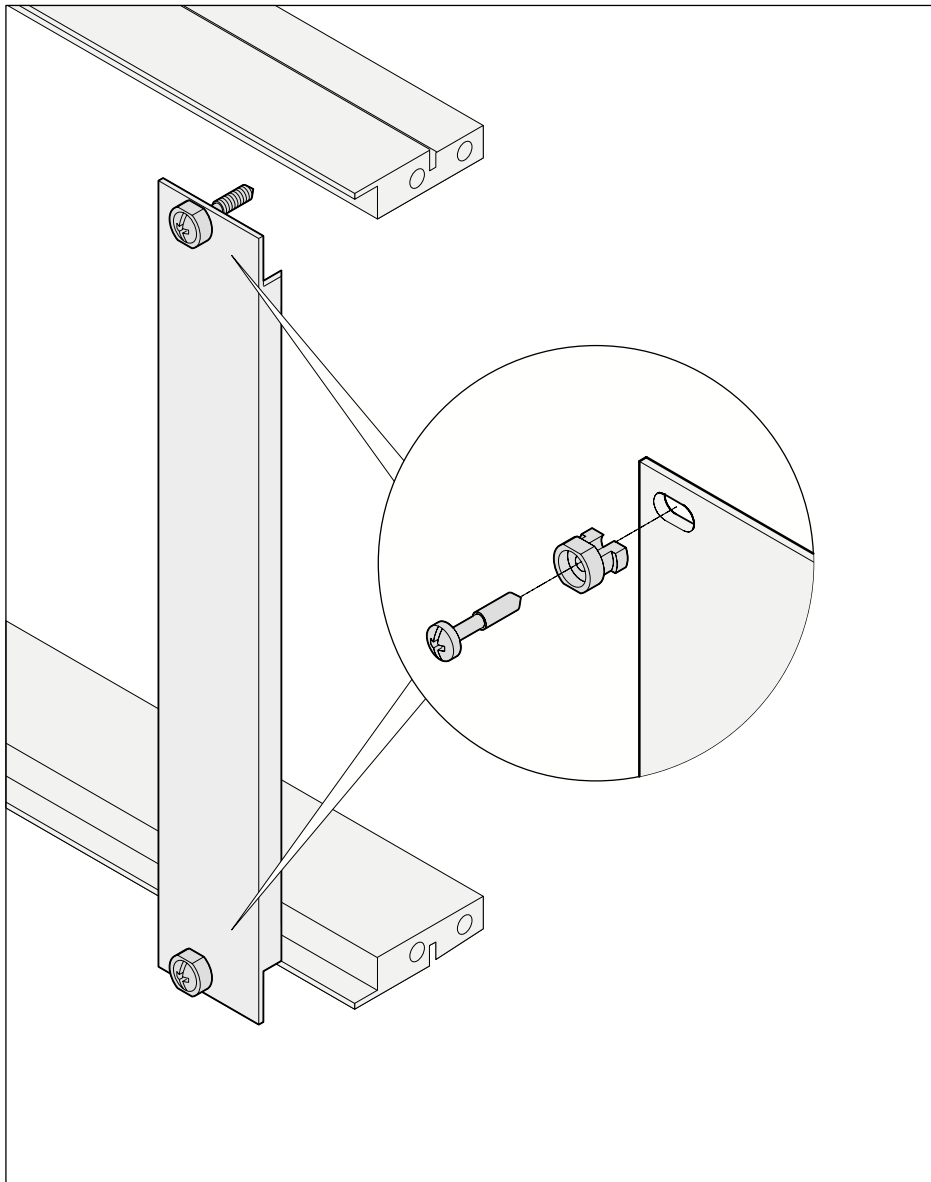
Conducteur de protection ext

Schroff[®]

Montageanweisung
Frontplatte-
Nippel-Halsschraube

Assembly instructions
Sleeve - Collar screw

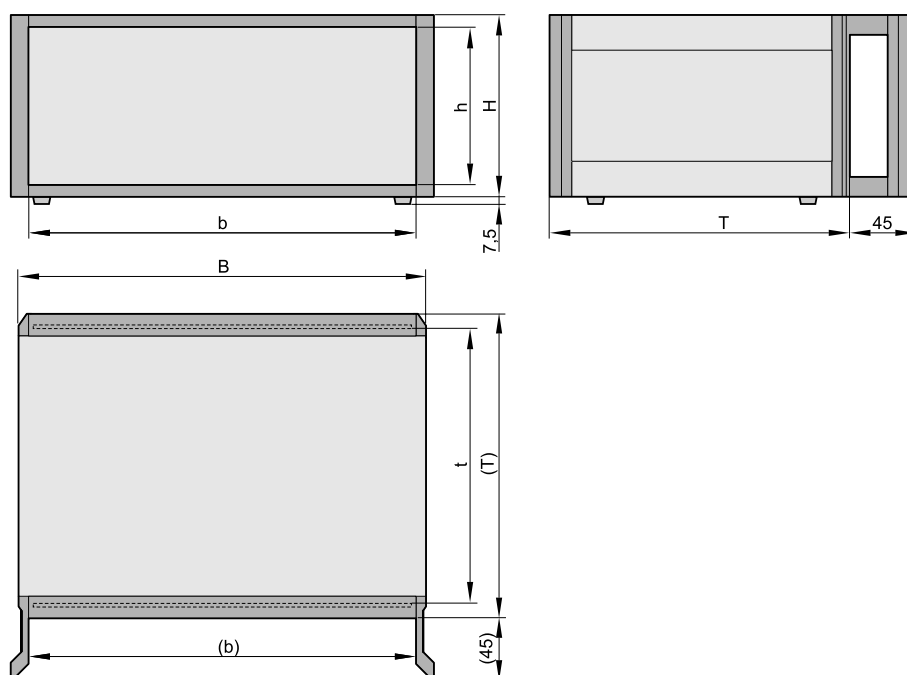
Instructions de montage
Deilet - Vis à gorge



60838-003

Case - *ratio*pacPRO / -air

Dimensions, *ratio*pacPRO / *ratio*pacPRO air



RPPR6637

Dimensions table *ratio*pacPRO

Height H		H	Width B		W	Usable depth t									
in U	in mm	in mm	in HP	in mm	in mm	235		295		355		415		475	
						T in mm	t in mm	T in mm	t in mm	T in mm	t in mm	T in mm	t in mm	T in mm	t in mm
3	132.55	112.35	28	164.22	142.82	255.5	235.5	315.5	295.5	375.5	355.5	435.5	415.5	495.5	475.5
3	132.55	112.35	42	235.54	213.94	255.5	235.5	315.5	295.5	375.5	355.5	435.5	415.5	495.5	475.5
3	132.55	112.35	63	342.02	320.62	255.5	235.5	315.5	295.5	375.5	355.5	435.5	415.5	495.5	475.5
3	132.55	112.35	84	448.70	427.30	255.5	235.5	315.5	295.5	375.5	355.5	435.5	415.5	495.5	475.5
4	177.00	156.80	42	235.54	213.94	255.5	235.5	315.5	295.5	375.5	355.5	435.5	415.5	495.5	475.5
4	177.00	156.80	63	342.02	320.62	255.5	235.5	315.5	295.5	375.5	355.5	435.5	415.5	495.5	475.5
4	177.00	156.80	84	448.70	427.30	255.5	235.5	315.5	295.5	375.5	355.5	435.5	415.5	495.5	475.5
6	265.90	245.70	42	235.54	213.94	255.5	235.5	315.5	295.5	375.5	355.5	435.5	415.5	495.5	475.5
6	265.90	245.70	63	342.02	320.62	255.5	235.5	315.5	295.5	375.5	355.5	435.5	415.5	495.5	475.5
6	265.90	245.70	84	448.70	427.30	255.5	235.5	315.5	295.5	375.5	355.5	435.5	415.5	495.5	475.5

Dimensions table *ratio*pacPRO air

Height H		H	Width B		b	Usable depth t									
in U	in mm	in mm	in HP	in mm	in mm	235		295		355		415		475	
						T in mm	t in mm	T in mm	t in mm	T in mm	t in mm	T in mm	t in mm	T in mm	t in mm
3/4	177.00	112.35	28	164.22	142.82	255.5	235.5	315.5	295.5	375.5	355.5	435.5	415.5	495.5	475.5
3/4	177.00	112.35	42	235.54	213.94	255.5	235.5	315.5	295.5	375.5	355.5	435.5	415.5	495.5	475.5
3/4	177.00	112.35	63	342.02	320.62	255.5	235.5	315.5	295.5	375.5	355.5	435.5	415.5	495.5	475.5
3/4	177.00	112.35	84	448.70	427.30	255.5	235.5	315.5	295.5	375.5	355.5	435.5	415.5	495.5	475.5
4/5	221.45	156.80	42	235.54	213.94	255.5	235.5	315.5	295.5	375.5	355.5	435.5	415.5	495.5	475.5
4/5	221.45	156.80	63	342.02	320.62	255.5	235.5	315.5	295.5	375.5	355.5	435.5	415.5	495.5	475.5
4/5	221.45	156.80	84	448.70	427.30	255.5	235.5	315.5	295.5	375.5	355.5	435.5	415.5	495.5	475.5
6/7	310.35	245.70	42	235.54	213.94	255.5	235.5	315.5	295.5	375.5	355.5	435.5	415.5	495.5	475.5
6/7	310.35	245.70	63	342.02	320.62	255.5	235.5	315.5	295.5	375.5	355.5	435.5	415.5	495.5	475.5
6/7	310.35	245.70	84	448.70	427.30	255.5	235.5	315.5	295.5	375.5	355.5	435.5	415.5	495.5	475.5

