

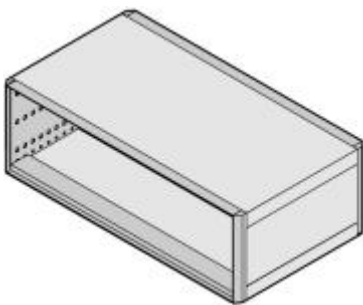
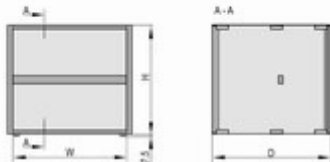
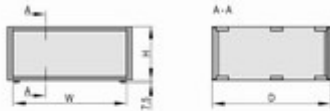
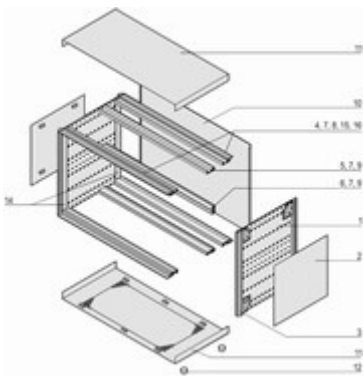
ratiopacPRO complete case



**Article number: 24572-052**

- Desktop case with easy to remove covers
- EMC shielded
- Threaded inserts, perforated strips and shielding components pre-mounted, for backplane assembly
- Identical front and rear symmetrical design

**Delivery quantity:** in kit form



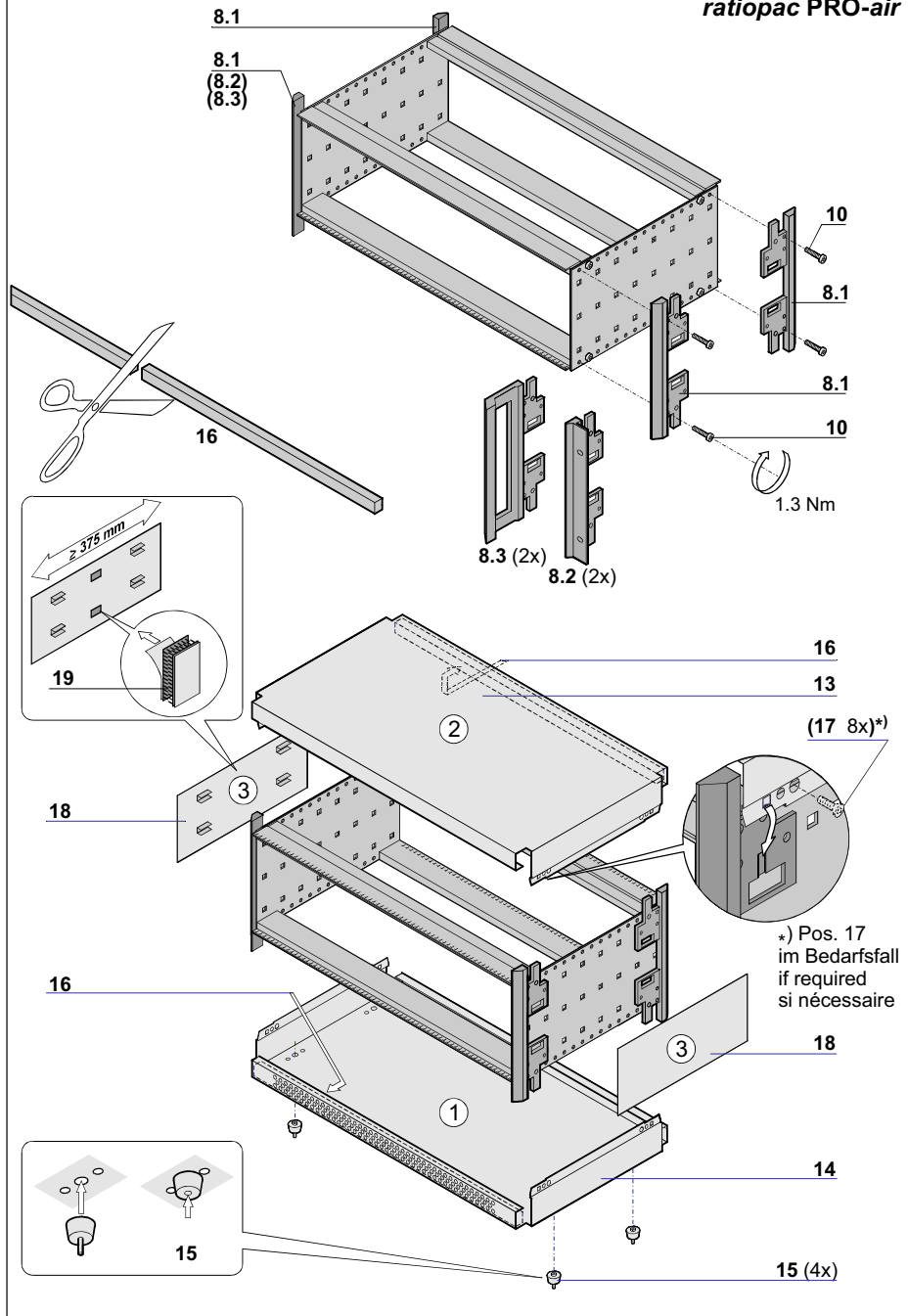
Front trim

Item	Qty with EMC	Description
1	2	Side panel, aluminium, clear chromated
2	2	Side plate, aluminium chromated, visible surface RAL 9006
3	4	Cover / panel, diecast zinc, RAL 7016, pre-mounted
4	4	Horizontal rail, aluminium, visible surfaces RAL 7016
5	2	Rear horizontal rail, aluminium
6	1	Centre horizontal rail (only with 6 U), aluminium
7	6	Threaded inserts, steel, pre-mounted, for backplane assembly with insulation strips
8	4	Perforated strip, aluminium 1 mm, pre-mounted
9	4	Insulation strip, PBT UL-94 V-0
10	1	Rear panel with perforation, 2.5 mm aluminium
11	2	Top and base, aluminium, internal surface conductive, visible surfaces RAL 9006, with GND/ earthing connection, base with ventilation holes
12	4	Case foot, PC black, anti-slip protection
-	1	GND/earthing kit
14	1	Contact strip for side panel, pre-mounted (set)
15	1	Contact strips for cover pre-mounted (set)
16	4	Contact strips for front panel - horizontal rails
-	1	Other assembly parts (set)

**Technical data:**

Height	Width W	Depth D	Description
3 U	42 HP	315,5 mm	EMC shielded

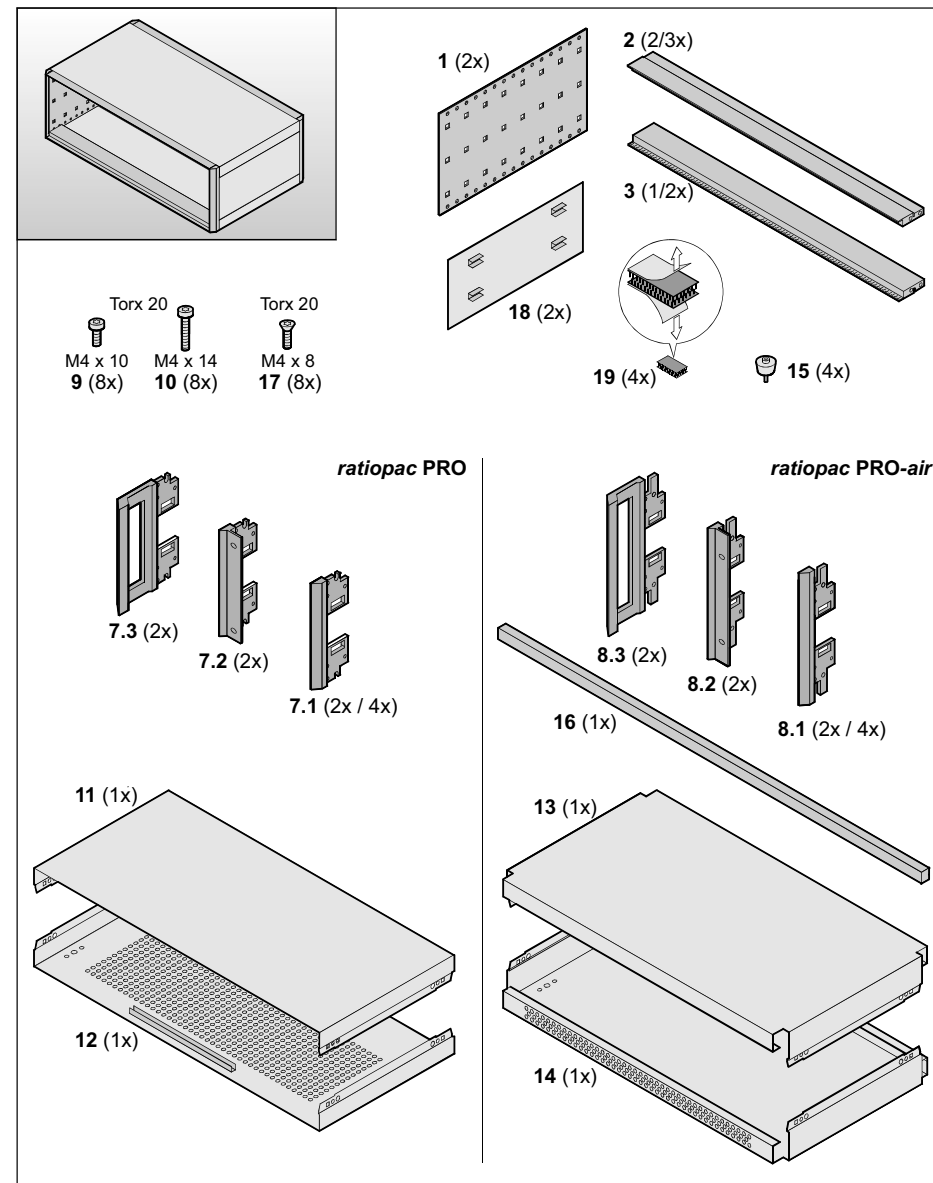
**ratiopac PRO-air**



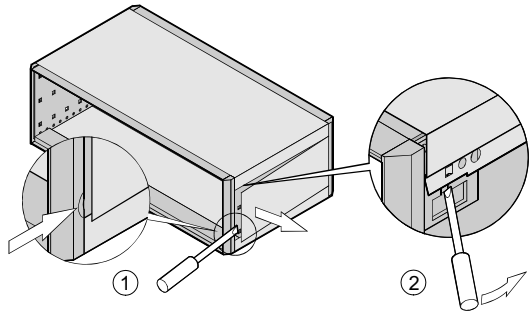
**Montageanweisung  
ratiopac PRO / -air**

**Assembly instructions  
ratiopac PRO / -air**

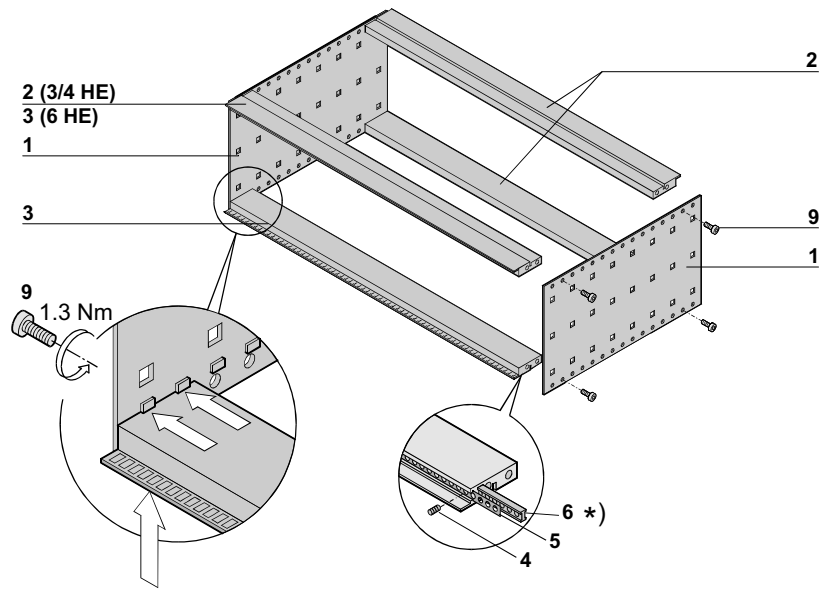
**Instruction de montage  
ratiopac PRO / -air**



Demontage  
Disassembly  
Démontage



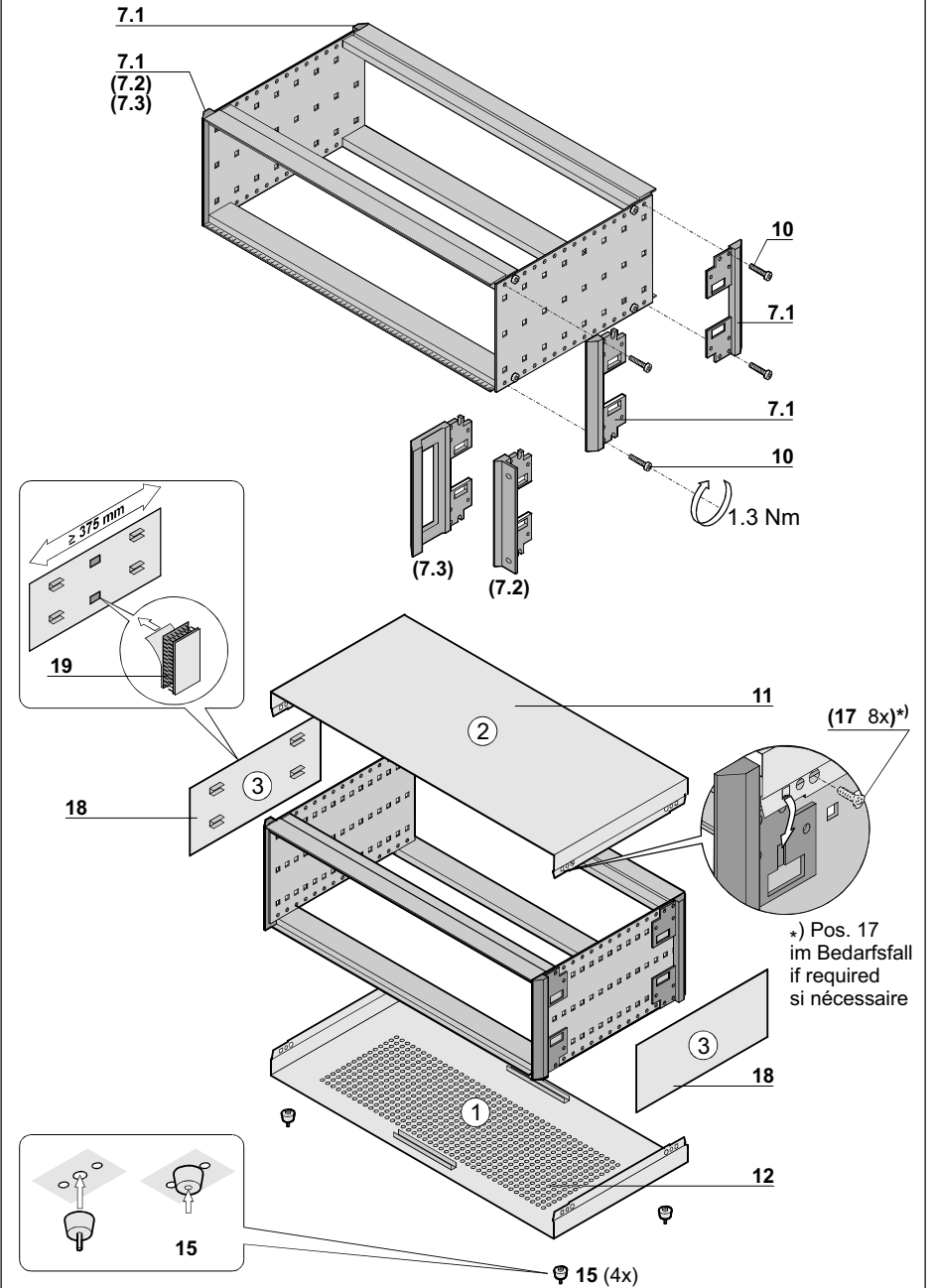
ratiopacPRO / ratiopacPRO air



1 HE = 1 U

\*) Pos. 4 - 6  
nicht im Lieferumfang enthalten!  
please order separately!  
à commander séparément!

ratiopac PRO



\*) Pos. 17  
im Bedarfsfall  
if required  
si nécessaire

Montageanweisung

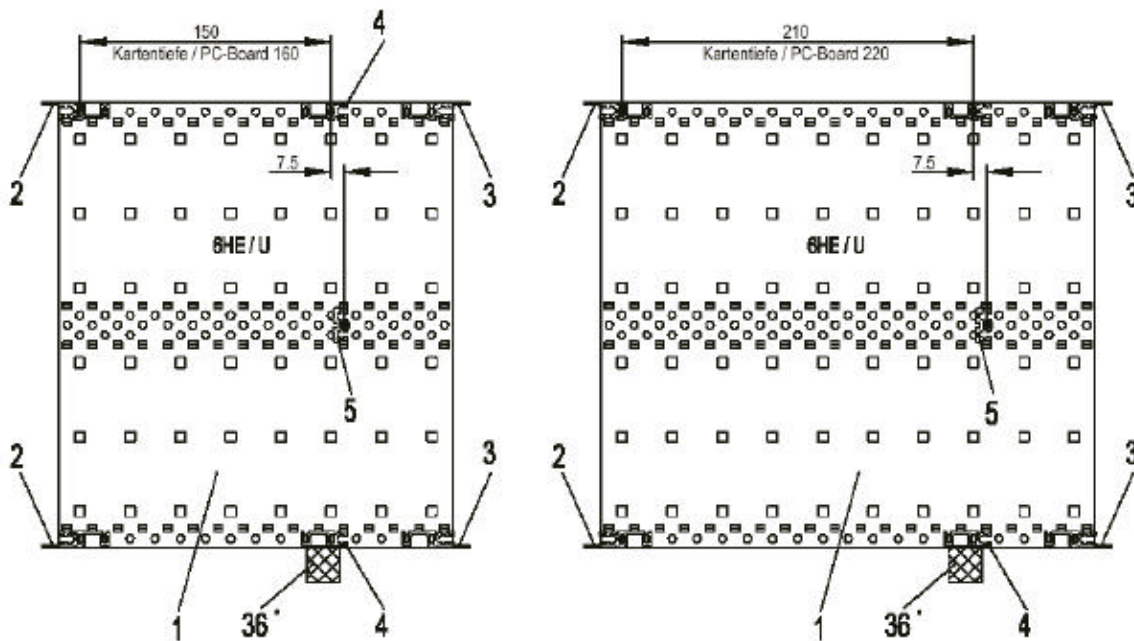
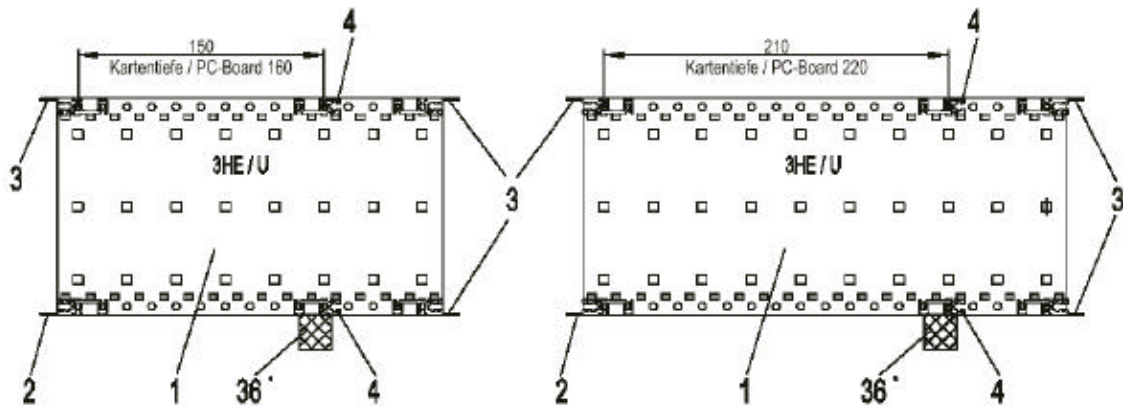
Assembly instructions

Instructions de montage

Modulschienenausbau

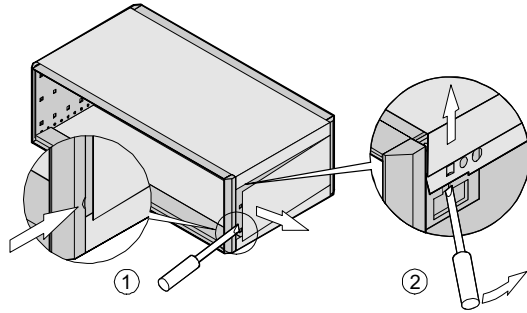
Assembly horizontal rails

Montage profils avant



- ratiopacPRO air

**Demontage  
Disassembly  
Démontage**



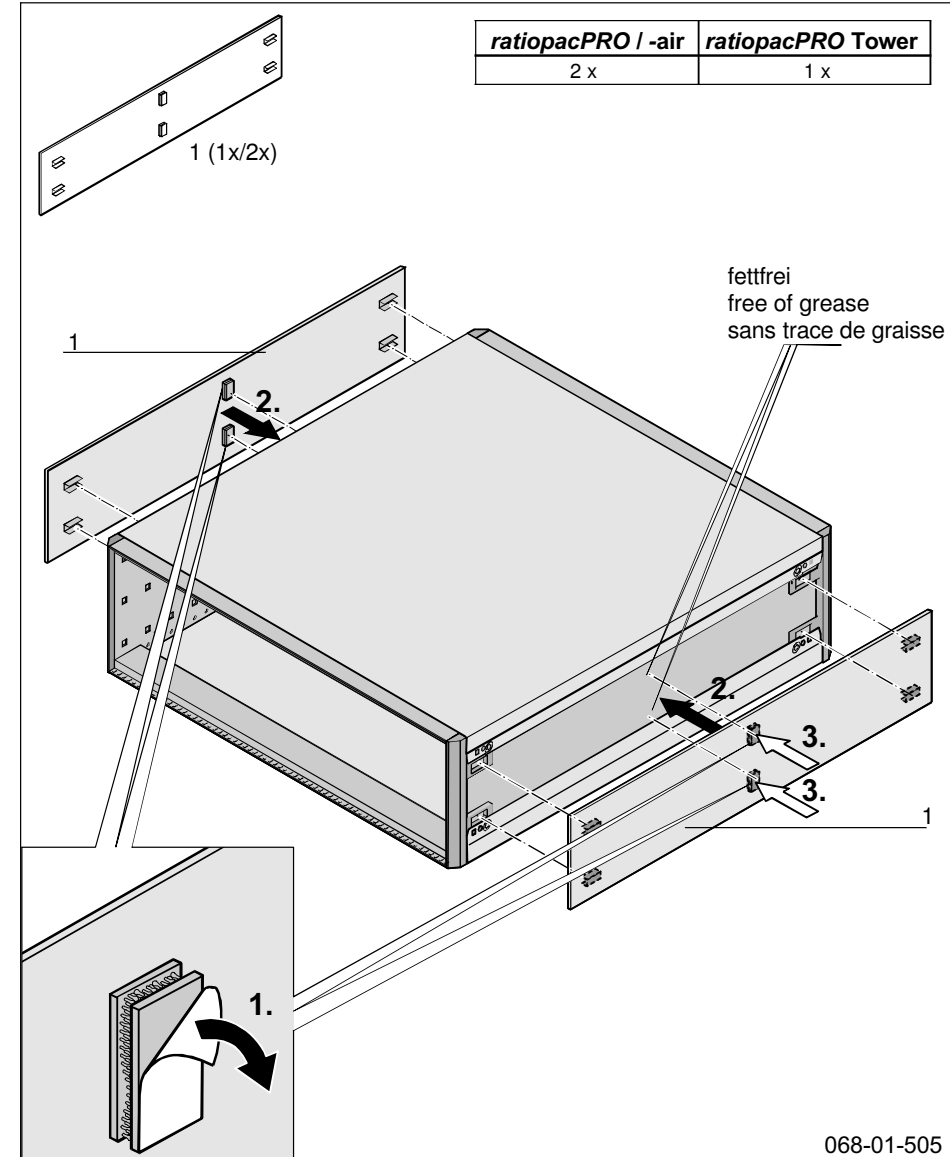
068-01-513

**Montageanweisung  
ratiopacPRO / -air  
Seitenwand-  
Druckverschluss**

**Assembly instructions  
ratiopacPRO / -air  
Sidepanel-  
spring clips**

**Instructions de montage  
ratiopacPRO / -air  
Flancs-  
fixés par pression**

ratiopacPRO / -air	ratiopacPRO Tower
2 x	1 x



**A Austria**  
Votthorn Christian Drott KG  
Frustrass 4,  
A-6832 Sutz/Vorarlberg  
Tel.: + 43 (0)5522 494 20  
Fax.: + 43 (0)5522 421 41  
info@votthorn.com  
www.votthorn.com

**AUS Australia**  
Mayer Krieg & Co.  
50 Mary Street, Unley  
5061 Adelaide  
Tel.: + 61 (0)8 8291 32 22  
Fax: + 61 (0)8 8291 32 00  
info@mayerkrieg.com.au

**B Belgium**  
Geveke Industrial Multitechnic nv  
Leuvensesteenweg 250A  
1800 Vilvoorde  
Tel.: + 32 (0)2 257 02 50  
Fax: + 32 (0)2 252 49 59  
info@geveke.be

**CDN Canada**  
Schroff Inc.  
111 Grangeway Ave., Suite 504  
Scarborough, Ontario M1H 3E9  
Tel.: + 1 (416) 289 27 70  
Fax: + 1 (416) 289 28 83

**CH Switzerland**  
Rotronic AG  
Grindelstr. 6  
8303 Bassersdorf  
Tel.: + 41 (0)1 838 12 12  
Fax: + 41 (0)1 837 00 74  
ime@rotronic.ch

**CN China**  
Shanghai Alberta Electronic Company Ltd.,  
164 Kele Road Chang Ning Area, Shanghai  
Tel.: + 86 21 5218 1122  
Fax: + 86 21 6238 3952  
shanghai@alberta.com.cn

**CZ Czech Republic**  
ZTC electronic  
P.O. Box 34,  
14900 Praha 415  
Tel.: + 420 (0)2 67 91 00 82  
Fax: + 420 (0)2 67 91 06 41  
ztc@ztc.cz

**D Germany**  
Schroff GmbH  
Langenalber Str. 96-100  
75334 Straubenhardt  
Tel.: + 49 (0)7082 794 0  
Fax: + 49 (0)7082 794 200  
info@schroff.de  
www.schroff.de

**DK Denmark**  
Knud Wexoe A/S  
Skattekaeret 11,  
DK-2840 Høje  
Tel.: + 45 (0)45 465 800  
Fax: + 45 (0)45 465 801  
wexoe@wexoe.dk

**E Spain**  
Cervalsa  
Ulises, 104,  
E-28043 Madrid  
Tel.: (+ 34) 91 721 60 10  
Fax.: (+ 34) 91 300 08 79  
sismecanic@cervalsa.es

**EST Estonia**  
AS Scanditron  
Laki 12, 10621 Tallinn  
Tel.: + 372 (0)2 656 27 33  
Fax.: + 372 (0)2 656 27 31  
scanditron@scanditron.com

**F France**  
Schroff SA  
Z.I., 4 rue du Marais  
67060 Betschdorf  
Tel.: + 33 (0)3 88 90 64 80  
Fax.: + 33 (0)3 88 90 64 88  
www.schroff.fr

**FIN Finland**  
Schroff Scandinavia AB  
Pertsimieitie 9  
03100 Nummela  
Tel.: + 358 (0)9 222 68 00  
Fax.: + 358 (0)9 222 38 86  
info\_fin@schroff.de

**H Hungary**  
NB Electronic Kft.  
Kacsaszőlő u. 2  
1033 Budapest  
Tel.: + 36 (0)1 387 14 55  
Fax.: + 36 (0)1 453 08 26  
nbelectronic@nbelectronic.hu

**HK Hong Kong**  
Alberta Electronic Co. Ltd.  
Blk. C&D, 10/F Edeux Ind. Bldg.,  
21 Matawai Rd.  
Kowloon, Hong Kong  
Tel.: + 852 2334 27 88  
Fax: + 852 2393 00 23  
ime@alberta.com.hk

**HR Croatia**  
Chronos Plus D. O. O.  
Medvedgradska 35  
10000 Zagreb  
Tel.: + 385 (0)1 466 70 59  
Fax: + 385 (0)1 466 69 77  
chronos@zg.tel.hr

**I Italy**  
Schroff srl  
Viale Milano, 119  
21013 Gallarate (Varese)  
Tel.: + 39 (0)331 794 003  
Fax: + 39 (0)331 793 450  
schroff@tin.it

**IL Israel**  
Ram Nir Electronic Pack. & Services  
4th Ben-Gurion Str.  
74030 Nes-Ziona  
Tel.: + 972 (0)8 940 96 19  
Fax: + 972 (0)8 940 12 86  
ramdevelopment@ramdevelopment.com

**IRL Ireland**  
New England Technical Sales Ltd.  
The Diamond Malahide, Co.  
Dublin  
Tel.: + 353 (0)1 845 06 35  
Fax: + 353 (0)1 845 36 25

**J Japan**  
Schroff K. K.  
Nisso No.13 Bldg. 4F  
2-5-1 Shinyokohama, Kohoku-ku,  
Yokohama-shi  
Kanagawa 222-0033  
Tel.: (+ 81) 045 476 02 81  
Fax: + 81 (0)45 476 02 89

**LT Lithuania**  
UAB Agava  
Gedimino 47, 3000 Kaunas  
Tel.: + 370 (0)7 202 410  
Fax.: + 370 (0)7 207 414  
agava@kaunas.agava.lt

**SOMI Ltd.**  
31 Antakainio st., 2055 Vilnius  
Tel.: + 370 (0)2 709 000  
Fax.: + 370 (0)2 709 066  
info@somil.lt  
www.somil.lt

**N Norway**  
Schroff Scandinavia AB  
Bjernerudveien 24, N-1266 Oslo  
Tel.: + 47 (0)22 763 3650  
Fax.: + 47 (0)22 763 3699  
info\_nor@schroff.de

**NL The Netherlands**  
Getronics Industrial Automation BV  
Donauweg 10, NL-1043 AJ Amsterdam  
Tel.: + 31 (0)20 586 16 05  
Fax: + 31 (0)20 586 19 85  
info.giea@getronics.com

**NZ New Zealand**  
Mayer Krieg New Zealand Limited  
34 C, Hobill Avenue, Manukau City  
Auckland  
Tel.: + 64 (0)9 262 24 61  
Fax: + 64 (0)9 262 24 74  
info@mayerkrieg.co.nz

**P Portugal**  
Arestel - Componentes e  
Equipamentos Eletrónicos, S.A.  
Pct. Proj. Av. Dr. Mário Mourinho, lote  
1529-cave, 1400-136 Lisboa  
Tel.: + 351 (0)21 303 08 50  
Fax: + 351 (0)21 301 62 21  
arestel@mail.telepac.pt

**PL Poland**  
Schroff GmbH / Sp. z o.o. /  
- oddział w Polsce  
Marynarska 19A, 02-674 Warszawa  
Tel.: + 48 (0)22 607 06 16  
Fax.: + 48 (0)22 607 06 21  
info@schroff.pl  
www.schroff.pl

**RC Taiwan**  
Lumax International Corp., Ltd.  
7th Fl., 52, Sec. 3,  
Nan-Kang Rd., Taipei Taiwan R. O. C.  
Tel.: + 886 (0)2 27 88 36 56  
Fax: + 886 (0)2 27 88 35 68  
jimchou@lumax.com.tw

**RI Indonesia**  
P.T. Kota Mirnyak Automation Indonesia  
Jl. Bandengan Selatan  
600 Jakarta Utara, 14450 Indonesia  
Tel.: + 62 (0)21 662 17 25  
Fax: + 62 (0)21 662 17 33  
safety@indo.net.id

**P. T. Nego Elecirindo**  
Komplek Sentra Kramat, Blok A18  
Jl. Kramat Raya No.7-9  
Jakarta 10450 Indonesia  
Tel.: + 62 (0)21 315 62 18  
Fax.: + 62 (0)21 315 62 19  
negoel@rad.net.id

**ROK Korea**  
Ara Electronics Co., Ltd.  
501 Daeryung Techno-Town I  
227-24 Kasan-dong, Kunchon-city  
Seoul 153-023  
Tel.: + 82 (0)2 855 54 00  
Fax.: + 82 (0)2 855 34 90  
iskim@ara.co.kr  
www.ara.co.kr

**RUS Russia**  
Prosoff Ltd.  
108, Prosoznaya Str.  
117437 Moscow  
Tel.: + 7 095 234 06 36  
Fax: + 7 095 234 06 40  
root@prosoff.ru  
www.prosoff.ru

**S Sweden**  
Schroff Scandinavia AB  
Box 2003, 12621 Skarpnack  
Tel.: + 46 (0)8 683 61 00  
Fax.: + 46 (0)8 683 61 99  
info\_swe@schroff.se  
www.schroff.se

**SGP Singapore**  
Hoffman Schroff Singapore Pte. Ltd.  
25 1st Business Park,  
# 01-68/71 German Centre  
Singapore 609916  
Tel.: + 65 562 78 90  
Fax: + 65 562 78 99  
hoffman@schroff.com.sg

**SLD Slovenia**  
IC Elektronika D. O. O.  
Vodovodna 100, PP 2514  
1001 Ljubljana  
Tel.: + 386 (0)61 165 31 50 25  
Fax: + 386 (0)61 165 31 70 20  
marco@ic-elect.si

**T Thailand**  
F. E. Zuellig (Bangkok) Ltd.  
11/F Ploenchit Center  
2 Sukhumvit Road  
Kwangs Klongtroy, Khet Klongtroy  
Bangkok 10110  
Tel.: + 66 (0)2 656 87 10  
Fax: + 66 (0)2 656 87 67  
electrical@zi-th.com

**UK Great Britain**  
Schroff UK Ltd.  
Maylands Avenue  
Hemel Hempstead,  
Herts HP2 7DE  
Tel.: + 44 (0)1442 240 471  
Fax: + 44 (0)1442 213 508  
sales\_uk@schroff.co.uk  
www.schroff.co.uk

**USA United States of America**  
Pentair Electronic Packaging  
170 Commerce Drive  
Warwick, RI 02886  
Tel.: + 1 (401) 732 37 70  
Fax: + 1 (401) 738 79 88  
info@pentair-ep.com  
www.pentair-ep.com

**ZA South Africa**  
Pascom Electronics (Pty) Ltd.  
13 Delphi Street,  
Eastgate Ext. 18, Sandton  
2144 Wendywood  
Tel.: + 27 (0)11 444 10 01  
Fax: + 27 (0)11 444 10 80  
net@pascom.co.za

**Schroff®**

**Erdungsanweisung  
ratiopac PRO / -air**

nach EN 60950/11.93  
EN 61010 T.1/03.94  
pr EN 50178/1994  
(E DIN VDE 0160/11.94)

**Assembly instructions  
ratiopac PRO / -air**

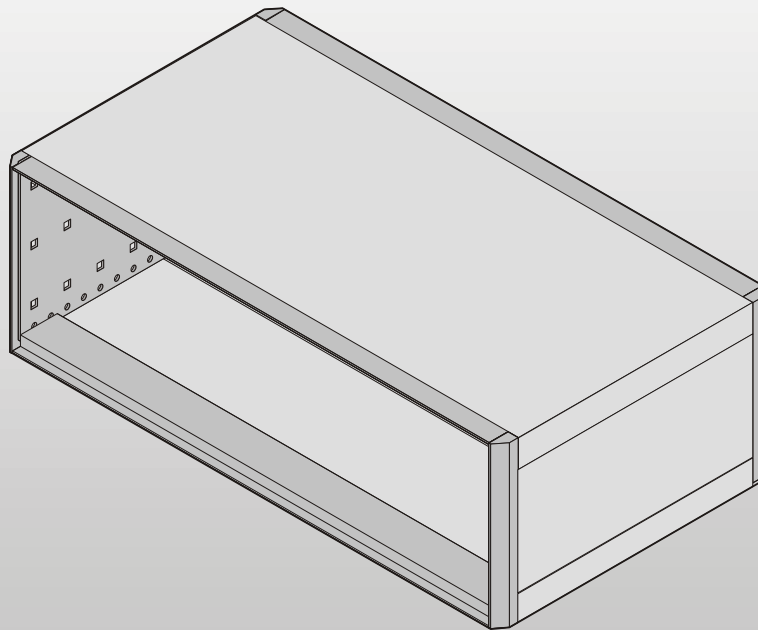
to EN 60950/11.93  
EN 61010 T.1/03.94  
pr EN 50178/1994  
(E DIN VDE 0160/11.94)

**Instruction de montage  
ratiopac PRO / -air**

selon EN 60950/11.93  
EN 61010 T.1/03.94  
pr EN 50178/1994  
(E DIN VDE 0160/11.94)

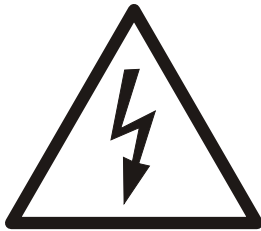
**IMPORTANT!**

These assembly instructions  
must be adhered to in order to  
comply with earthing  
regulations!



64 571-116 Rev. 1





**Vorsicht Lebensgefahr!**

Elektromontage nur durch Fachpersonal zulässig.  
VDE-Vorschriften beachten!

**Danger!**

Electrical assembly must be carried out by technical staff only according to VDE/IEEE regulations.

**ATTENTION**

**Danger de mort!**

Montage électrique exclusivement par personnel qualifié.  
Respecter les prescriptions applicables.

**“ußerer Anschlußpunkt”**

Die Schutzleiterzuleitung zum “ußerer Anschlußpunkt” erfolgt kundenseitig und darf bei diesem Erdungsset den Kabelquerschnitt von 1,5 mm<sup>2</sup> nicht überschreiten. Am ußerer Anschlußpunkt wird das Erdungszeichen ⊕ angebracht.

**“External connection point”**

The customer connects the earth/ground to the “external connection point”; the cable cross-section of 1.5 mm<sup>2</sup> should not be exceeded with this earthing/grounding kit. The earth/ground label ⊕ is attached at the external connection part.

**“Point de raccordement extrême”**

La pose du conducteur qui ira relier le point de “raccordement extrême” incombe l’acquéreur. La section de ce conducteur ne doit, pour ce n cessaire de mise la masse, pas dépasser 1,5 mm<sup>2</sup>. Au point de raccordement extrême se trouve le symbole de masse ⊕.

**Frontplatten / Fronttren**

Besteht die Gefahr, daß im Versagensfall überhöhte Spannungen in den Bereich der Frontplatte gelangen, so ist diese ebenfalls nach VDE-Richtlinien zu erden.

**Frontpanels / Front door**

In the event of a failure, which could cause high voltage to reach the front panel, the panel should be grounded to VDE specifications.

**Faces avant/Porte avant**

Si par suite d’un défaut les faces avant risquent de se trouver sous tension, celles-ci doivent également être reliées à la masse selon les directives VDE.

**Hinweis**

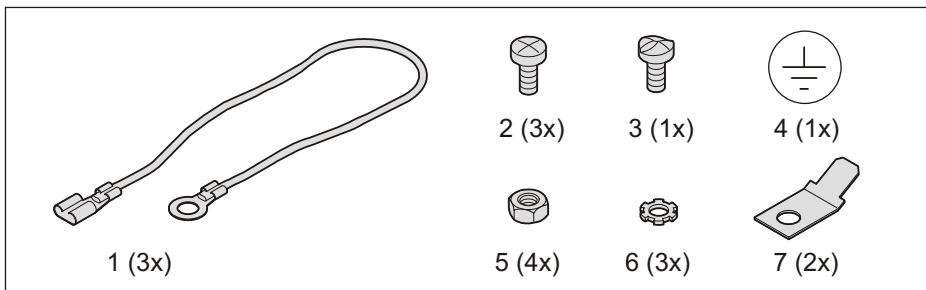
Für die VDE-gerechte Erdung des Endgerätes ist der Hersteller verantwortlich.

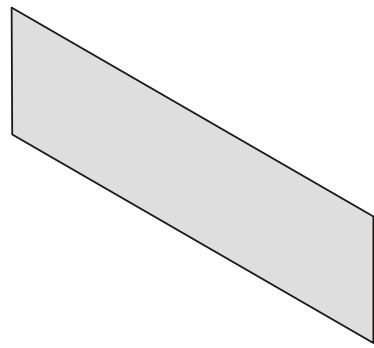
**Note**

The manufacturer is responsible for GND/earthing the final equipment to VDE specifications.

**Ramarque**

La mise à la masse conforme VDE de l’appareillage incorporé incombe son fabricant.





Schutzleiter von außen  
(Max. 1,5 mm<sup>2</sup>)

Protective GND/earth lead from  
outside  
(Max. 1.5 mm<sup>2</sup>)

Conducteur de protection ext

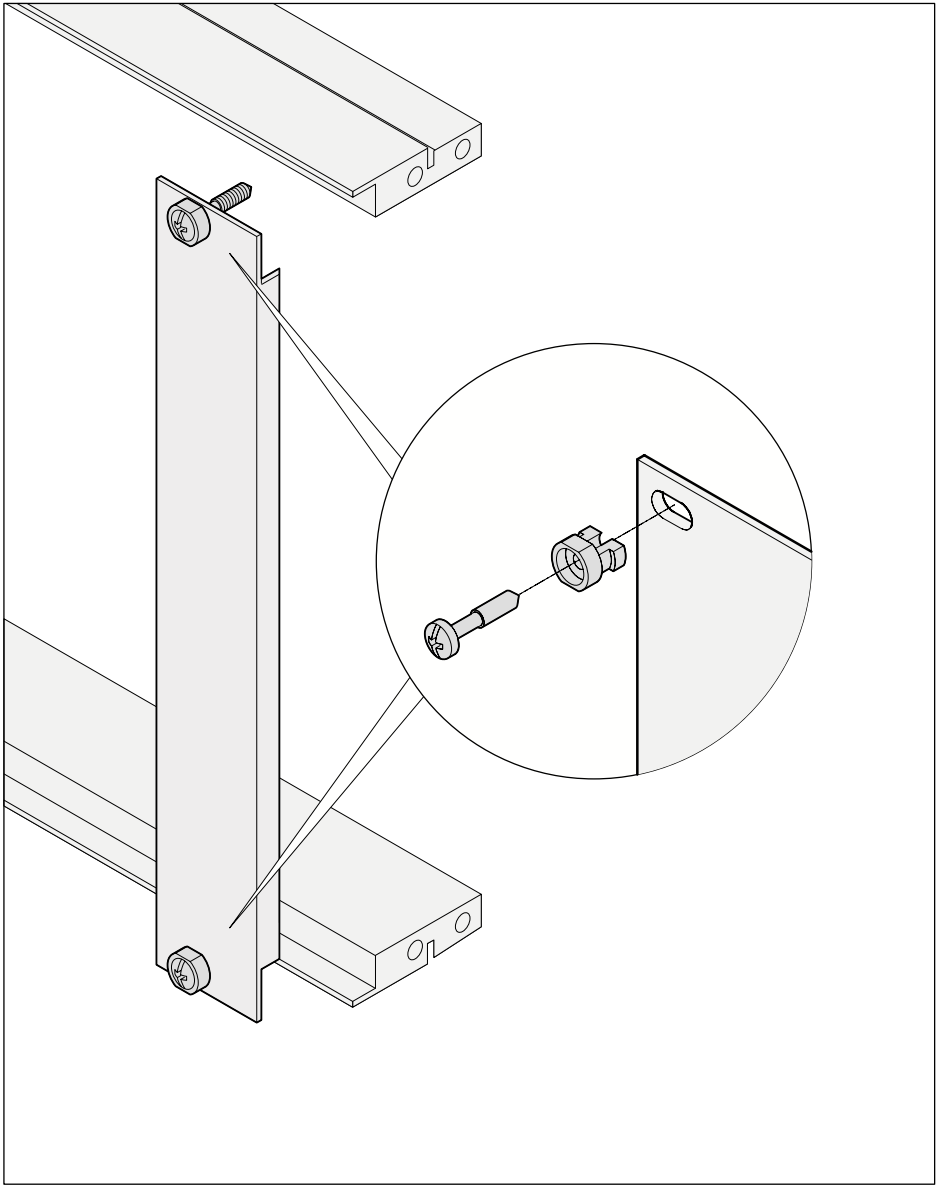


*Schroff*<sup>®</sup>

Montageanweisung  
Frontplatte-  
Nippel-Halsschraube

Assembly instructions  
Sleeve - Collar screw

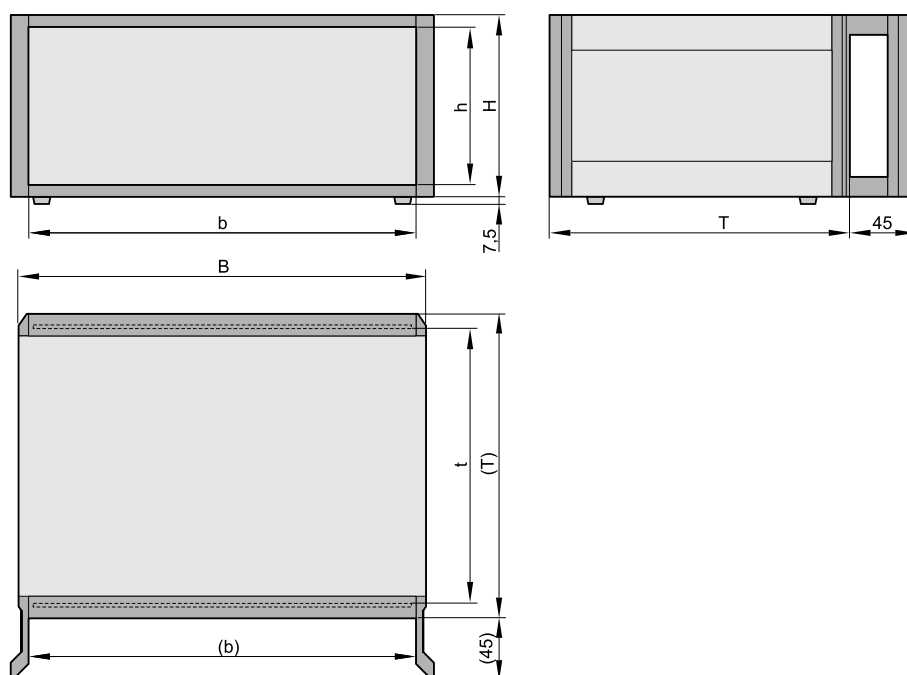
Instructions de montage  
Deilet - Vis à gorge



60838-003

## Case - *ratio*pacPRO / -air

### Dimensions, *ratio*pacPRO / *ratio*pacPRO air



RPPR6637

**Dimensions table *ratio*pacPRO**

Height H		H	Width B		W	Usable depth t									
in U	in mm	in mm	in HP	in mm	in mm	235		295		355		415		475	
						T in mm	t in mm	T in mm	t in mm	T in mm	t in mm	T in mm	t in mm	T in mm	t in mm
3	132.55	112.35	28	164.22	142.82	255.5	235.5	315.5	295.5	375.5	355.5	435.5	415.5	495.5	475.5
3	132.55	112.35	42	235.54	213.94	255.5	235.5	315.5	295.5	375.5	355.5	435.5	415.5	495.5	475.5
3	132.55	112.35	63	342.02	320.62	255.5	235.5	315.5	295.5	375.5	355.5	435.5	415.5	495.5	475.5
3	132.55	112.35	84	448.70	427.30	255.5	235.5	315.5	295.5	375.5	355.5	435.5	415.5	495.5	475.5
4	177.00	156.80	42	235.54	213.94	255.5	235.5	315.5	295.5	375.5	355.5	435.5	415.5	495.5	475.5
4	177.00	156.80	63	342.02	320.62	255.5	235.5	315.5	295.5	375.5	355.5	435.5	415.5	495.5	475.5
4	177.00	156.80	84	448.70	427.30	255.5	235.5	315.5	295.5	375.5	355.5	435.5	415.5	495.5	475.5
6	265.90	245.70	42	235.54	213.94	255.5	235.5	315.5	295.5	375.5	355.5	435.5	415.5	495.5	475.5
6	265.90	245.70	63	342.02	320.62	255.5	235.5	315.5	295.5	375.5	355.5	435.5	415.5	495.5	475.5
6	265.90	245.70	84	448.70	427.30	255.5	235.5	315.5	295.5	375.5	355.5	435.5	415.5	495.5	475.5

**Dimensions table *ratio*pacPRO air**

Height H		H	Width B		b	Usable depth t									
in U	in mm	in mm	in HP	in mm	in mm	235		295		355		415		475	
						T in mm	t in mm	T in mm	t in mm	T in mm	t in mm	T in mm	t in mm	T in mm	t in mm
3/4	177.00	112.35	28	164.22	142.82	255.5	235.5	315.5	295.5	375.5	355.5	435.5	415.5	495.5	475.5
3/4	177.00	112.35	42	235.54	213.94	255.5	235.5	315.5	295.5	375.5	355.5	435.5	415.5	495.5	475.5
3/4	177.00	112.35	63	342.02	320.62	255.5	235.5	315.5	295.5	375.5	355.5	435.5	415.5	495.5	475.5
3/4	177.00	112.35	84	448.70	427.30	255.5	235.5	315.5	295.5	375.5	355.5	435.5	415.5	495.5	475.5
4/5	221.45	156.80	42	235.54	213.94	255.5	235.5	315.5	295.5	375.5	355.5	435.5	415.5	495.5	475.5
4/5	221.45	156.80	63	342.02	320.62	255.5	235.5	315.5	295.5	375.5	355.5	435.5	415.5	495.5	475.5
4/5	221.45	156.80	84	448.70	427.30	255.5	235.5	315.5	295.5	375.5	355.5	435.5	415.5	495.5	475.5
6/7	310.35	245.70	42	235.54	213.94	255.5	235.5	315.5	295.5	375.5	355.5	435.5	415.5	495.5	475.5
6/7	310.35	245.70	63	342.02	320.62	255.5	235.5	315.5	295.5	375.5	355.5	435.5	415.5	495.5	475.5
6/7	310.35	245.70	84	448.70	427.30	255.5	235.5	315.5	295.5	375.5	355.5	435.5	415.5	495.5	475.5

