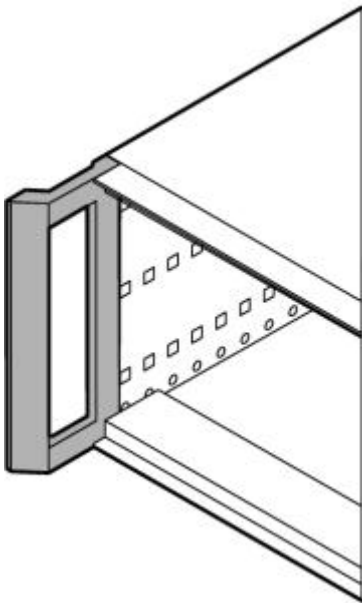


Front handle



**Article number: 24571-304**

- To add front handle (convert case with trim or 19" mounting angle)

**Delivery quantity: kit**

Qty	Description
2	Front handle, diecast aluminium, powder-coated RAL 7016

**Technical data:**

Description	Description
Front handle for ratiopacPRO air 3 U	

**Schroff®**

**Montageanweisung  
ratiopac PRO / -air  
Griffe / 19"-Winkel**

**Assembly instructions  
ratiopac PRO / -air  
Front handle/  
19" mounting bracket**

**Instruction de montage  
ratiopac PRO / -air  
Montants-poignées  
Montants-équeres de  
rackge 19"**

