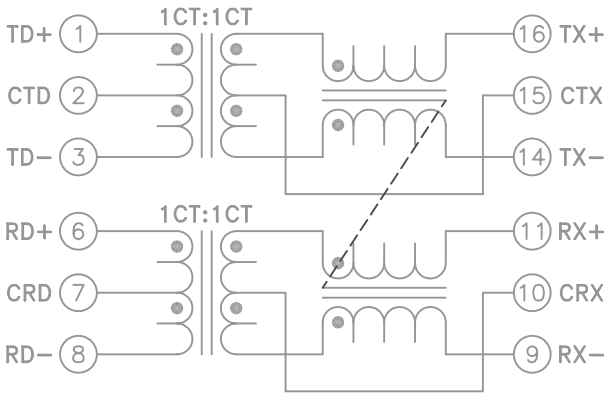
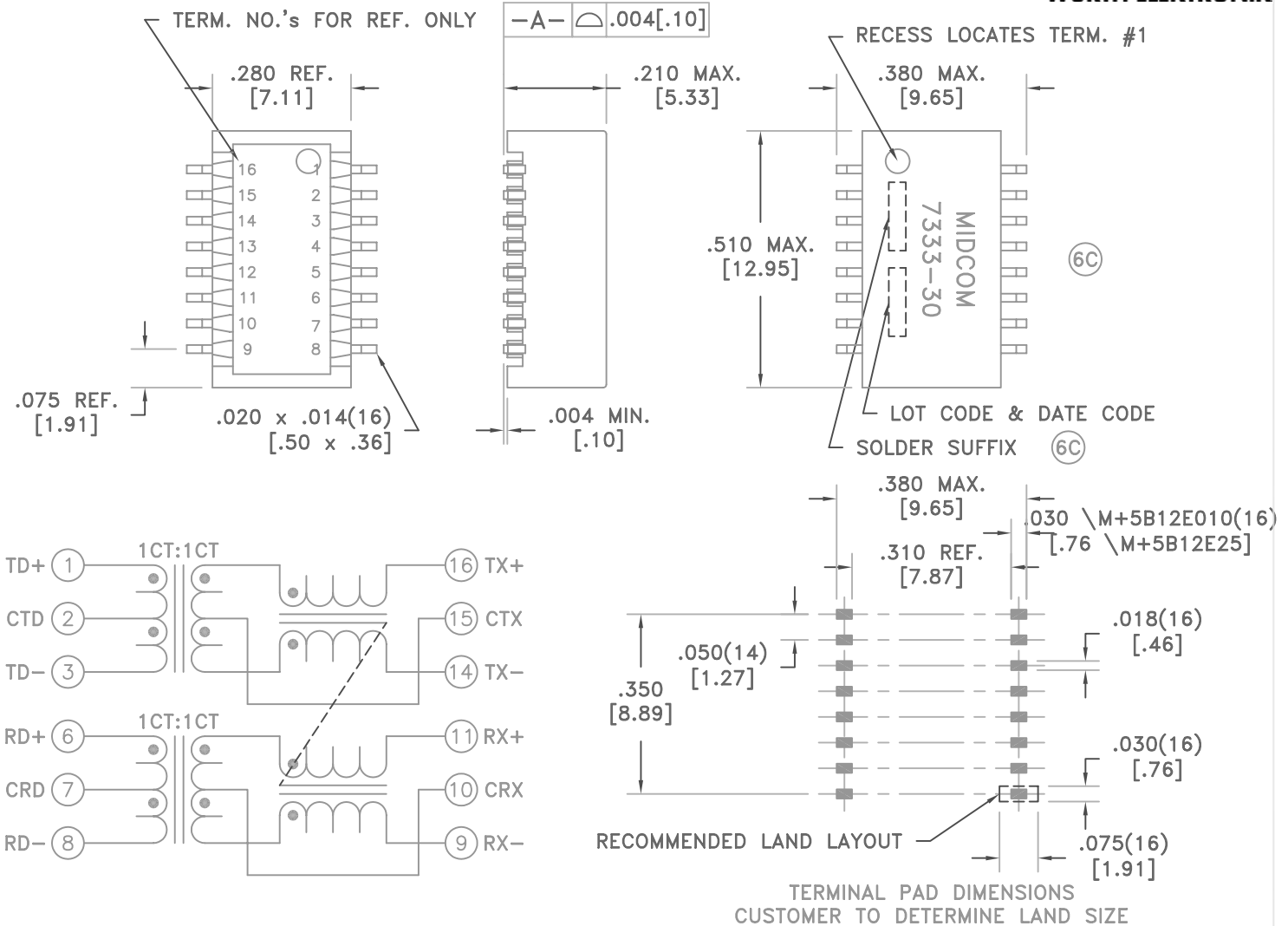


SOLDER SUFFIX	CUSTOMER TERMINAL	RoHS	LEAD(Pb)-FREE	6C
	Sn63%, Pb37%	No	No	
LF1	Sn96%, Ag4%	Yes	Yes	



**ELECTRICAL SPECIFICATIONS @ 25°C unless otherwise noted:**

<b>DIELECTRIC RATING:</b>	1500Vrms, 1 minute tested by applying 1800Vrms for 1 second between 1-16(tie 1+8, 9+16).	
<b>INDUCTANCE:</b>	350uH min., 100kHz, 100mV, 8mADC, 16-14; 11-9, Lp.	
<b>TURNS RATIO &amp; POLARITY:</b>	(1-3):(16-14) = 1:1, ±2%. (6-8):(11-9) = 1:1, ±2%.	
<b>INSERTION LOSS:</b>	1.2dB max., 1MHz - 100MHz.	
<b>RETURN LOSS:</b>	-16dB min., 1MHz - 30MHz.	-13dB min., 50MHz.
	-14dB min., 40MHz.	-12dB min., 60MHz - 80MHz.
<b>CROSSTALK:</b>	-35dB min., 1MHz - 100MHz.	
<b>DCMR:</b>	-35dB min., 1MHz - 100MHz.	

Designed to handle 350mA.

6D OPERATING TEMPERATURE RANGE: -40°C to +85°C.

COPLANARITY: All 16 terminals must lie on a plane within .004 [.10] of Surface A after lead tinning.

Midcom, Inc.  
Watertown, SD USA  
Toll Free: 800-643-2661  
Fax: 605-886-4486

Unless otherwise specified:  
Tolerances: Fractions: ±1/64  
Angles: ±1° Decimals: ±.005 [.13]

DRAWING TITLE

**TRANSFORMER**  
749 013 011

REVISIONS: SEE SHEET 1

Midcom

DRAWING NO.

000-7333-30R/-LF1

SCALE ---

6C

REV.

6F  
6/06

SHEET 2 OF 7

DWG.# 000-7333-30R/-LF1

This drawing is dual dimensioned.  
Dimensions in brackets are in millimeters.