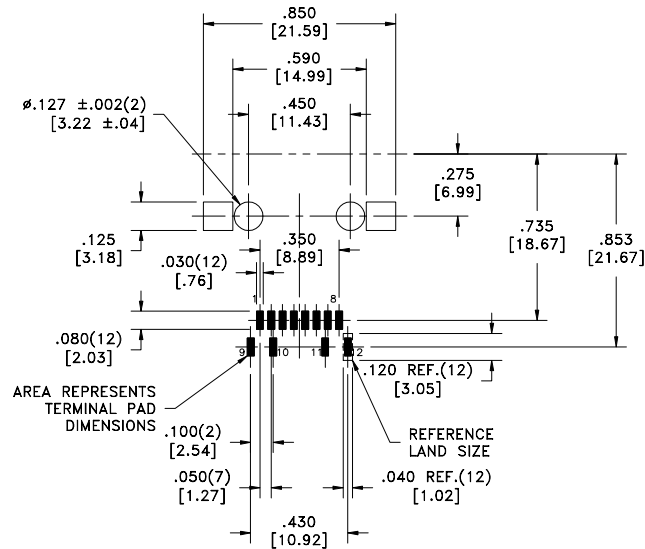
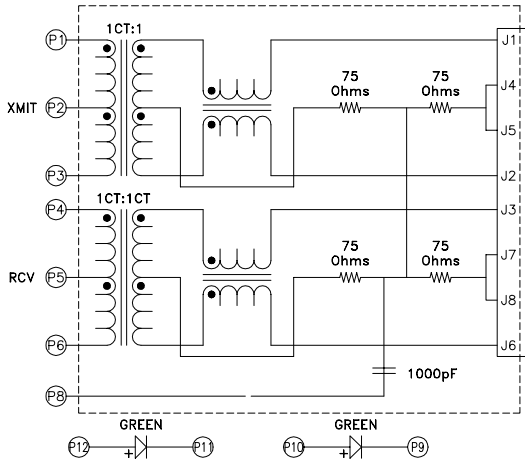
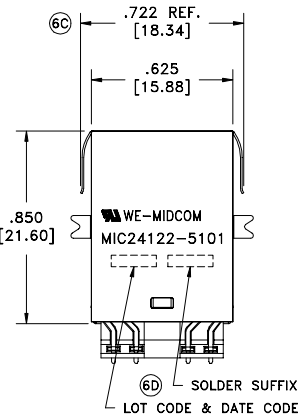
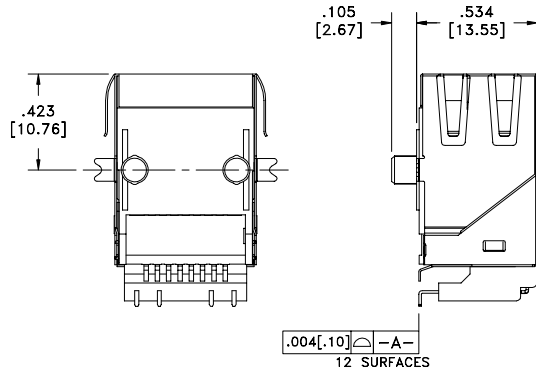
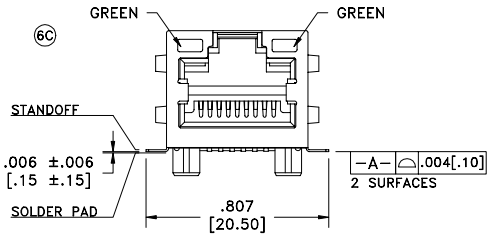


SOLDER SUFFIX	CUSTOMER TERMINAL	RoHS	LEAD(Pb)-FREE
LF3	Sn100%	Yes	No



ELECTRICAL SPECIFICATIONS @ 25°C unless otherwise noted:

- INDUCTANCE: 350uH min., 100kHz, 100mV, 8mADC, J1-J2; J3-J6, Lp.
- DIELECTRIC RATING: 1500Vrms for 1 minute between P1-J1(tie P1+P4).
- URNS RATIO/POLARITY: (P1-P3):(J1-J2) = 1:1, ±2%. (P4-P6):(J3-J6) = 1:1, ±2%.
- INSERTION LOSS: -1.0dB max., 1MHz - 100MHz.
- RETURN LOSS: -18dB min., 1M - 30MHz. -16dB min., 30M - 45MHz. -14dB min., 45M - 60MHz. -12dB min., 60M - 80MHz.
- CROSSTALK: -35dB min., 1MHz - 100MHz.
- COMMON MODE REJECTION: -35dB min., 1MHz - 100MHz.
- OPERATING TEMPERATURE RANGE: 0°C to +70°C.

REV.	DATE
6D	6/07
6C	8/06
6B	3/06
6A	2/06

Packaging Specifications

Method: Tray
 PKG-0547
 www.midcom-inc.com

Unless otherwise specified:
 Tolerances: Fractions: ±1/64
 Angles: ±1° Decimals: ±.010 [.25]
 This drawing is dual dimensioned. Dimensions in brackets are in millimeters.

DRAWING TITLE

TRANSFORMER
 10/100Mbps

eiSos p/n: 7498011221



REVISIONS: SEE SHEET 1

DRAWING NO.

MIC24122-5101W-LF3

SCALE ---

(6C)

AGENCY NUMBER
UL 60950-1 E205930

SHEET 2 OF 6