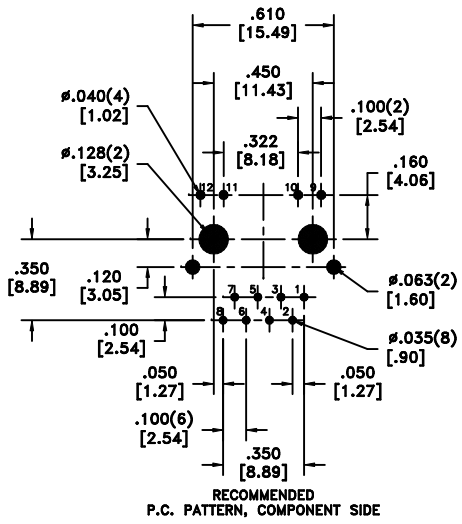
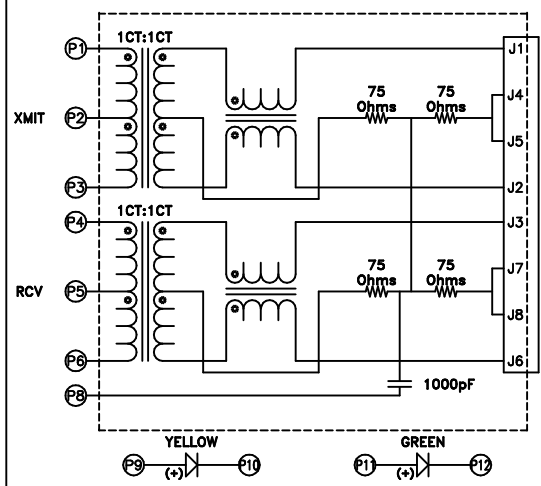
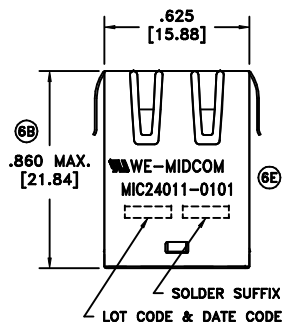
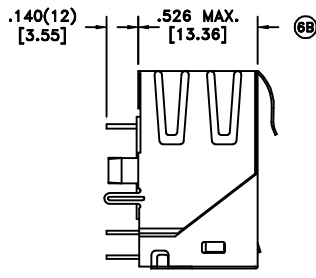
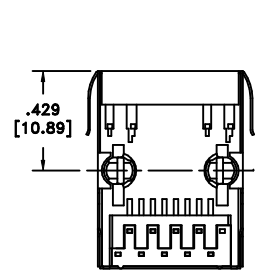
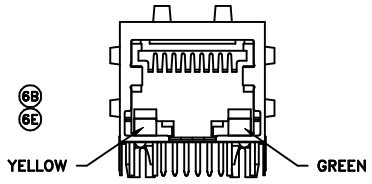


SOLDER SUFFIX	CUSTOMER TERMINAL	RoHS	LEAD(Pb)-FREE	6C
LF3	Sn100%	Yes	Yes	



ELECTRICAL SPECIFICATIONS @ 25°C unless otherwise noted:

- INDUCTANCE: 350uH min., 100kHz, 100mV, 8mADC, J1-J2; J3-J6, Lp.
- DIELECTRIC RATING: 1500Vrms for 1 minute between P1-J1(tie P1+P4).
- URNS RATIO/POLARITY: (P1-P3):(J1-J2) = 1:1, ±2%.
(P4-P6):(J3-J6) = 1:1, ±2%.
- INSERTION LOSS: -1.0dB max., 1MHz - 100MHz.
- RETURN LOSS: -18dB min., 1M - 30MHz.
-16dB min., 30M - 45MHz.
-14dB min., 45M - 60MHz.
-12dB min., 60M - 80MHz.
- CROSSTALK: -33dB min., 1MHz - 100MHz.
- COMMON MODE REJECTION: -35dB min., 1MHz - 100MHz.
- OPERATING TEMPERATURE RANGE: 0°C to +70°C.

REV.	DATE
PR6F	9/07
6E	4/07
6D	9/05
6C	7/05
6B	3/05

Packaging Specifications
Method:
www.midcom-inc.com

Unless otherwise specified:
Tolerances: Fractions: ±1/64
Angles: ±1° Decimals: ±.010[.25]
This drawing is dual dimensioned. Dimensions in brackets are in millimeters.

DRAWING TITLE
TRANSFORMER RJ45-T8
eiSos p/n: 7499011121

Midcom WE
www.midcom-inc.com

DRAWING NO.
MIC24011-0101X-LF3
AGENCY NUMBER
UL60950-1 E205930
REVISIONS: SEE SHEET 1
SCALE --- SHEET 2 OF 7

6D

PACKAGING TABLE	
X	PACKAGE
T	TUBE
W	TRAY

6E

AGENCY NUMBER	
UL60950-1	E205930