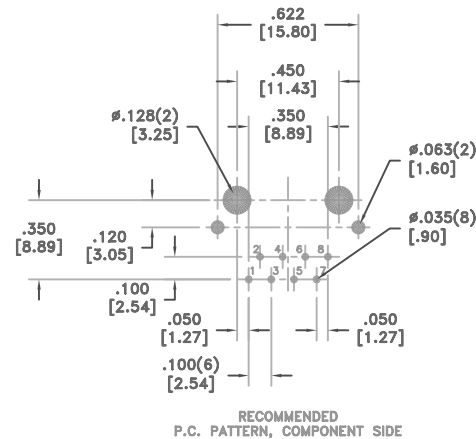
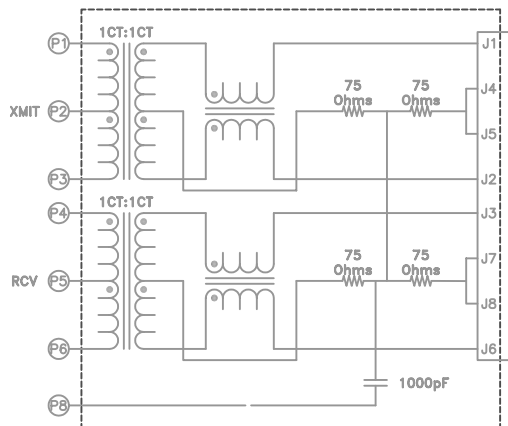
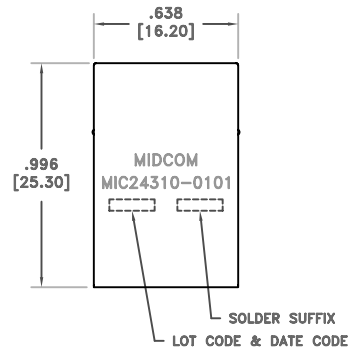
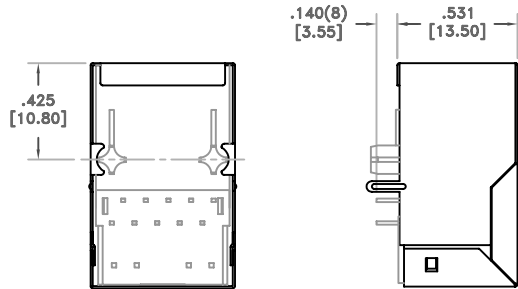
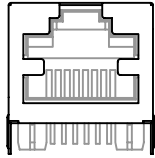


SOLDER SUFFIX	CUSTOMER TERMINAL	RoHS	LEAD(Pb)-FREE
LF3	Sn100%	Yes	Yes



ELECTRICAL SPECIFICATIONS @ 25°C unless otherwise noted:

- INDUCTANCE: 350uH min., 100kHz, 100mV, 8mADC, J1-J2; J3-J6, Lp.
- DIELECTRIC RATING: 1500Vrms for 1 minute between P1-J1(tie P1+P4).
- URNS RATIO/POLARITY: (P1-P3):(J1-J2) = 1:1, ±2%.
(P4-P6):(J3-J6) = 1:1, ±2%.
- INSERTION LOSS: -1.0dB max., 1MHz - 100MHz.
- RETURN LOSS: -18dB min., 1M - 30MHz.
-16dB min., 30M - 45MHz.
-14dB min., 45M - 60MHz.
-12dB min., 60M - 80MHz.
- CROSSTALK: -35dB min., 1MHz - 100MHz.
- COMMON MODE REJECTION: -35dB min., 1MHz - 100MHz.
- OPERATING TEMPERATURE RANGE: 0°C to +70°C.

Midcom, Inc.
Watertown, SD USA
Toll Free: 800-643-2661
Fax: 605-886-4486

Unless otherwise specified:
Tolerances: Fractions: ±1/64
Angles: ±1° Decimals: ±.010 [0.25mm]
This drawing is dual dimensioned. Dimensions in brackets are in millimeters.

DRAWING TITLE
TRANSFORMER
749 901 000 1



REVISIONS: SEE SHEET 1

DRAWING NO.
MIC24310-0101T-LF3

SCALE ---

SHEET 2 OF 6

REV.
6A
10/05