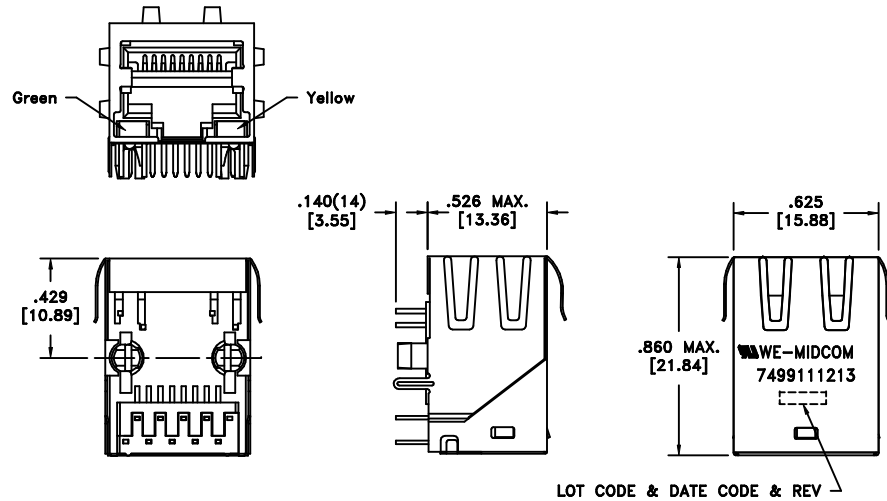


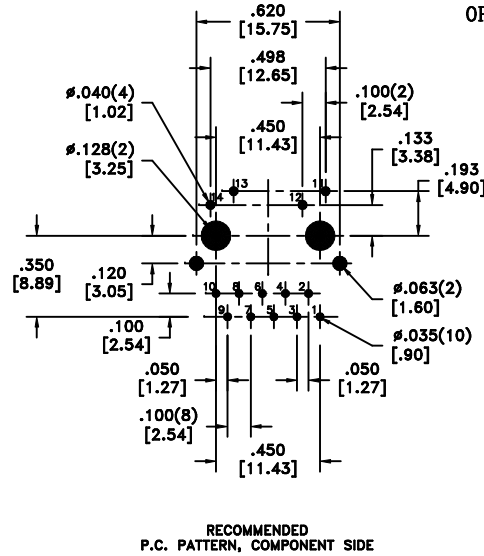
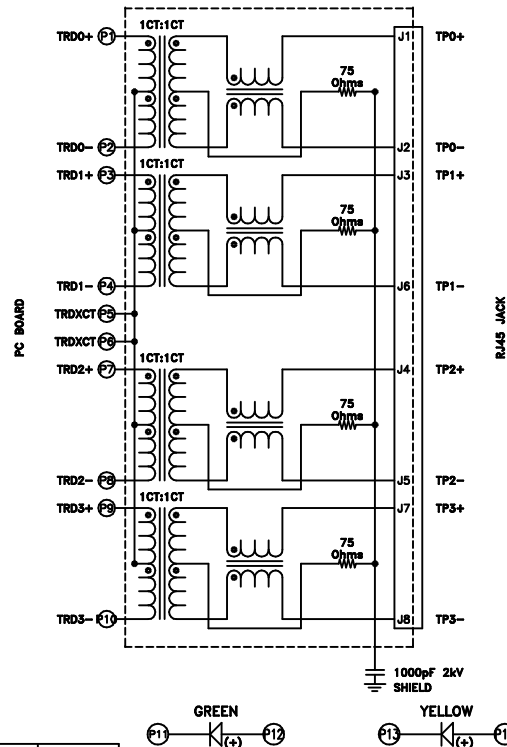
CUSTOMER TERMINAL	RoHS	LEAD(Pb)-FREE
Sn100%	Yes	Yes



LOT CODE & DATE CODE & REV

ELECTRICAL SPECIFICATIONS @ 25°C unless otherwise noted:

- INDUCTANCE: 350uH min., 100kHz, 100mV, 8mADC, J1-J2; J3-J6; J4-J5; J7-J8, Lp.
- DIELECTRIC RATING: 1500Vrms for 1 minute between Board to Jack side.
- URNS RATIO/POLARITY: (P1-P2):(J1-J2) = 1:1, ±2%. (P3-P4):(J3-J6) = 1:1, ±2%.
(P7-P8):(J4-J5) = 1:1, ±2%. (P9-P10):(J7-J8) = 1:1, ±2%.
- INSERTION LOSS: -1.0dB max., 1MHz - 100MHz.
- RETURN LOSS: -18dB min., 1M - 40MHz.
-14dB min., 40M - 60MHz.
-12dB min., 60M - 80MHz.
-10dB min., 80M - 100MHz.
- CROSSTALK: -40dB typ., 1M - 30MHz.
-36dB typ., 30M - 60MHz.
-30dB typ., 60M - 100MHz.
- COMMON MODE REJECTION: -35dB min., 1M - 100MHz.
- DESIGNED FOR 10/100/1000 BASE-T APPLICATION.
- OPERATING TEMPERATURE RANGE: 0°C to +70°C.



RECOMMENDED
P.C. PATTERN, COMPONENT SIDE

REV.	DATE
00	6/07

Packaging Specifications
Method: Tube
PKG-0524
www.midcom-inc.com

Unless otherwise specified:
Tolerances: Fractions: ±1/64
Angles: ±1° Decimals: ±.010[.25]
This drawing is dual dimensioned. Dimensions in brackets are in millimeters.

DRAWING TITLE
TRANSFORMER GIGABIT
eiSos p/n: 7499111213

WE Midcom
www.midcom-inc.com

DRAWING NO.
7499111213
REVISIONS: SEE SHEET 1
SCALE --- SHEET 2 OF 6