

CUSTOMER TERMINAL	RoHS	LEAD(Pb)-FREE
Sn100%	Yes	No



**ELECTRICAL SPECIFICATIONS @ 25°C unless otherwise noted:**

INDUCTANCE: 350uH min., 100kHz, 100mV, 8mADC, J1-J2; J3-J6, J4-J5, J7-J8 Lp.

DIELECTRIC RATING: 1500Vrms for 1 minute between P1-J1

TURNS RATIO/POLARITY: Per schematic

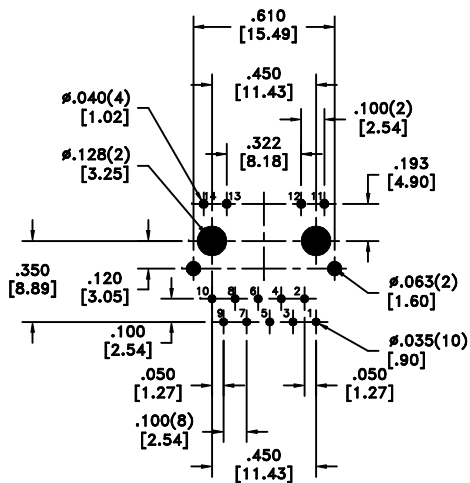
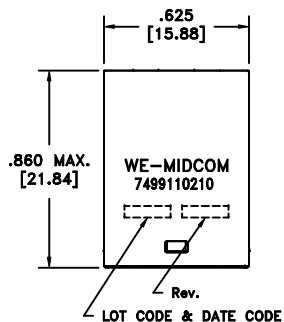
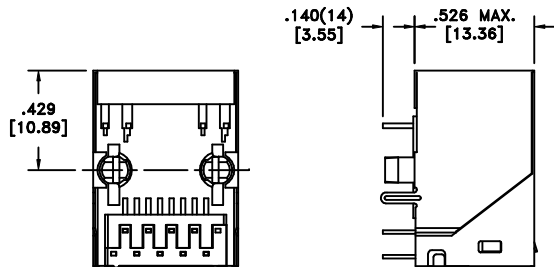
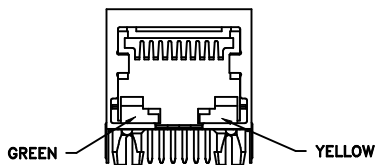
INSERTION LOSS: -1.0dB max., 1MHz - 100MHz.

RETURN LOSS: -18dB min., 1M - 40MHz.  
-14dB min., 40M - 60MHz.  
-12dB min., 60M - 80MHz.  
-10dB min., 80M - 100MHz.

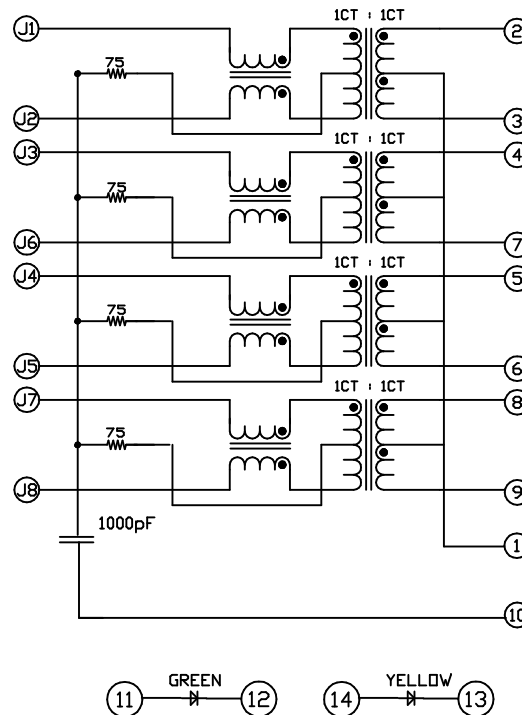
CROSSTALK: -27dB min., 1MHz - 100MHz.

COMMON MODE REJECTION: -30dB min., 1MHz - 100MHz.

OPERATING TEMPERATURE RANGE: 0°C to +70°C.



RECOMMENDED P.C. PATTERN, COMPONENT SIDE



REV.	DATE
01	10/07
00	6/07

Packaging Specifications  
Method:  
www.midcom-inc.com

Unless otherwise specified:  
Tolerances: Fractions: ±1/64  
Angles: ±1° Decimals: ±.010[.25]  
This drawing is dual dimensioned. Dimensions in brackets are in millimeters.

DRAWING TITLE  
**TRANSFORMER Gigabit**  
eiSos p/n: 7499110210



REVISIONS: SEE SHEET 1

DRAWING NO.  
**7499110210**

SCALE ---

SHEET 2 OF 6