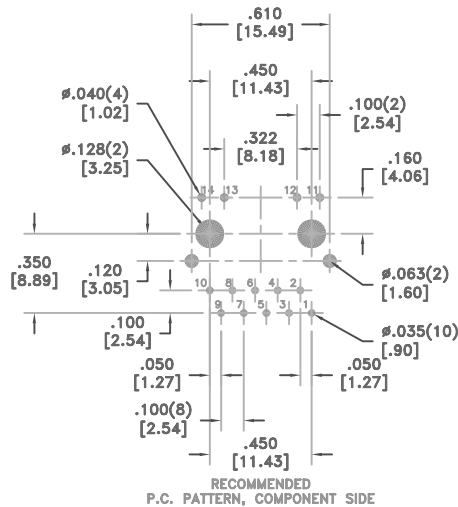
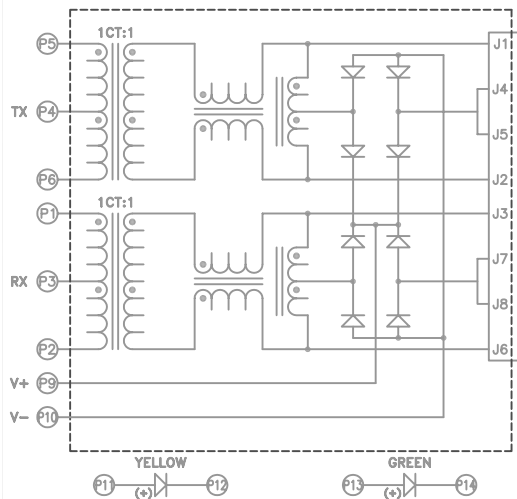
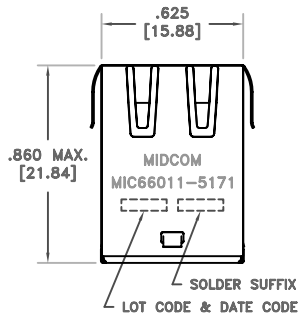
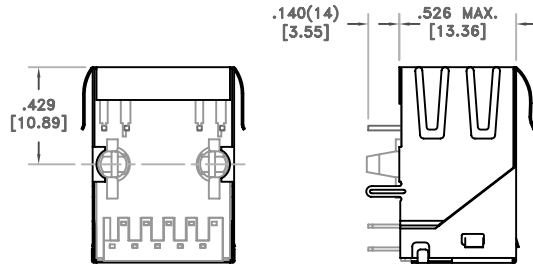
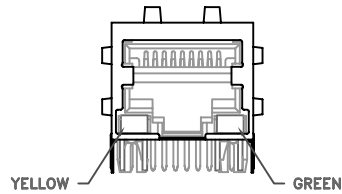


SOLDER SUFFIX	CUSTOMER TERMINAL	RoHS	LEAD(Pb)-FREE
LF3	Sn100%	Yes	Yes



**ELECTRICAL SPECIFICATIONS @ 25°C unless otherwise noted:**

- INDUCTANCE: 350uH min., 100kHz, 100mV, 8mADC, J1-J2; J3-J6, Lp.
  - DIELECTRIC RATING: 1500Vrms for 1 minute between P1-J1(tie P2+P5, J2+J3).
  - TURNS RATIO/POLARITY: (P1-P2):(J3-J6) = 1:1, ±2%. (P5-P6):(J1-J2) = 1:1, ±2%.
  - INSERTION LOSS: -1.0dB max., 1MHz - 100MHz.
  - RETURN LOSS: -18dB min., 1M - 30MHz. -16dB min., 30M - 45MHz. -14dB min., 45M - 60MHz. -12dB min., 60M - 80MHz.
  - CROSSTALK: -35dB min., 1MHz - 100MHz.
  - COMMON MODE REJECTION: -35dB min., 1MHz - 100MHz.
  - OPERATING TEMPERATURE RANGE: -40°C to +85°C.
- Designed to handle 350mADC and meet 802.3af.

AGENCY NUMBER	
UL 60950-1	E205930

Midcom, Inc.  
Watertown, SD USA  
Toll Free: 800-643-2661  
Fax: 605-886-4486

Unless otherwise specified:  
Tolerances: Fractions: ±1/64  
Angles: ±1° Decimals: ±.010 [.25]  
This drawing is dual dimensioned. Dimensions in brackets are in millimeters.

DRAWING TITLE  
**TRANSFORMER**  
749 921 112 1



REVISIONS: SEE SHEET 1

DRAWING NO.	REV.
MIC66011-5171T-LF3	6B
SCALE ---	8/06
SHEET 2 OF 6	