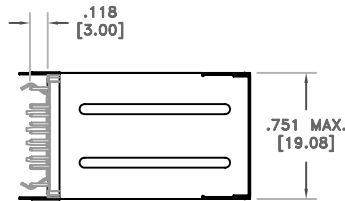
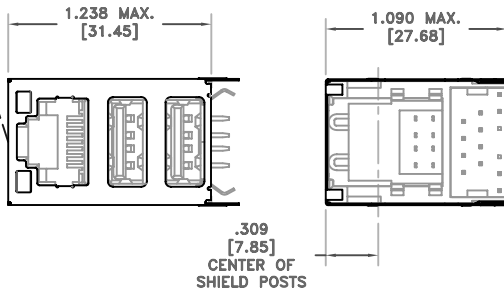
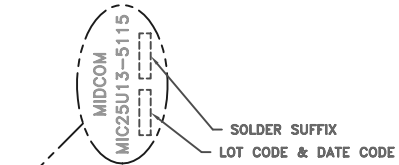


SOLDER SUFFIX	CUSTOMER TERMINAL	RoHS	LEAD(Pb)-FREE
LF3	Sn100%	Yes	Yes

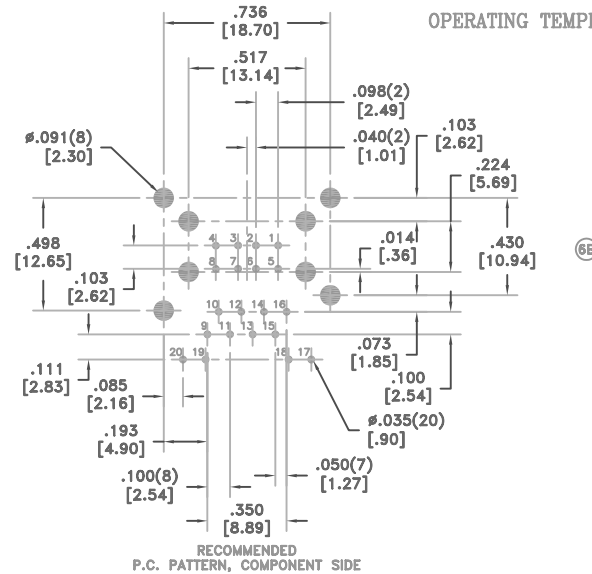
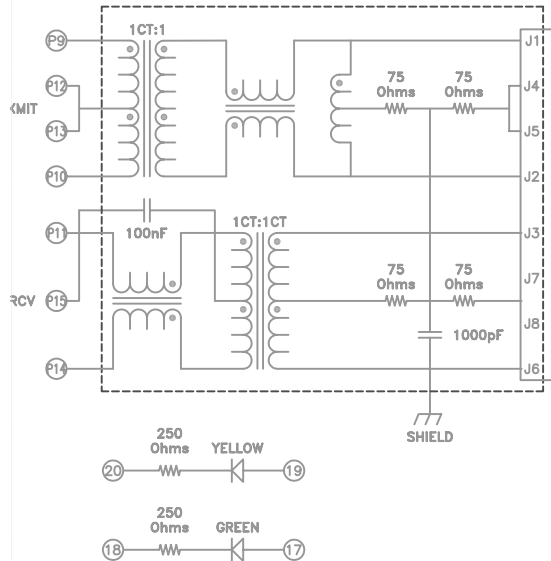


MARKING DETAIL ON TOP SURFACE OF SHIELD



ELECTRICAL SPECIFICATIONS @ 25°C unless otherwise noted:

- INDUCTANCE: 350uH min., 100kHz, 100mV, 8mADC, J1-J2; J3-J6, Lp.
- DIELECTRIC RATING: 1500Vrms for 1 minute between P9-J1(tie P10+P11, J2+J3).
- URNS RATIO/POLARITY: (P9-P10):(J1-J2) = 1:1, ±2%. (P11-P14):(J3-J6) = 1:1, ±2%.
- INSERTION LOSS: -1.0dB max., 1MHz - 100MHz.
- RETURN LOSS: -18dB min., 1M - 30MHz. -16dB min., 30M - 45MHz. -14dB min., 45M - 60MHz. -12dB min., 60M - 80MHz.
- CROSSTALK: -33dB min., 1MHz - 100MHz.
- COMMON MODE REJECTION: -35dB min., 1MHz - 100MHz.
- OPERATING TEMPERATURE RANGE: 0°C to +70°C.



Midcom, Inc.
Watertown, SD USA
Toll Free: 800-643-2661
Fax: 605-886-4486

Unless otherwise specified:
Tolerances: Fractions: ±1/64
Angles: ±1° Decimals: ±.005 [0.127mm]
This drawing is dual dimensioned. Dimensions in brackets are in millimeters.

DRAWING TITLE
TRANSFORMER
749 701 021 1



REVISIONS: SEE SHEET 1

DRAWING NO.
MIC25U13-5115W-LF3

SCALE ---

SHEET 2 OF 6

REV.
6B
2/06