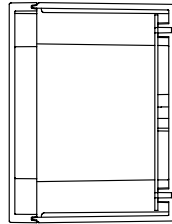
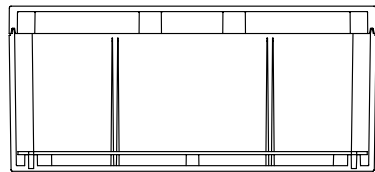
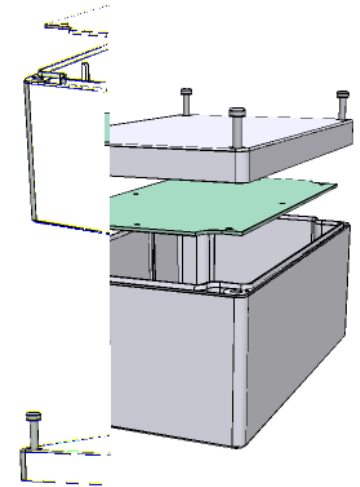


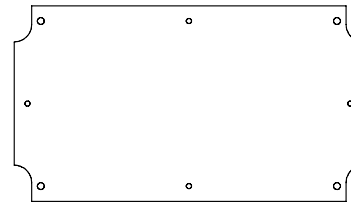
ASSEMBLY



SECTION A-A

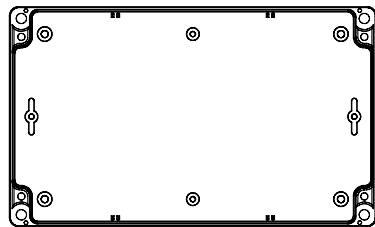


SECTION B-B

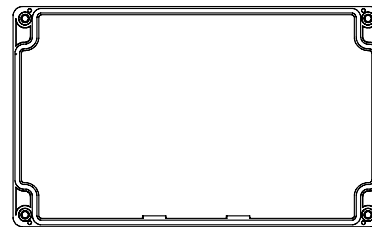


STEEL INNER PANEL

NOTE
 Purchased asse3 xrcses3 xedjed]rcousrc NsL
 Recommended Cover screw torque -- 2.5 lbf-in (30 cN-m)



BOX - INSIDE



LID - INSIDE

1554U Regular Enclosure	
General Purpose ABS RAL-7035	1554UGY
Polycarbonate RAL-7035	1554U2GY
1554U Clear / Smoke Lid Enclosure	
Polycarbonate Box / Clear Polycarbonate Lid	1554U2GYCL
Polycarbonate Box / Smoke Polycarbonate Lid	1554U2GYCL
ACCESSORIES	
Heavy Duty 16 Gauge Galvanized Steel Panels	1554UPL
Steel Panel / P.C. Board Machine Screw [M3 x 8mm Nickel Plated]	1591MM100
Steel Panel / P.C. Board Self Tapping Screw [#6 X 1/4" (6.4mm) Nickel Plated]	1598ATS100
Cover Screws (Pkg 4) [M4 X 20mm Type 304 Stainless Steel]	SC1554