

# AMC1203EVM

This user's guide describes the characteristics, operation, and use of the AMC1203EVM. The AMC1203EVM is designed for prototyping and evaluation. A complete circuit description, schematic diagram, and bill of materials are included.

The following related documents are available through the Texas Instruments web site at [www.ti.com](http://www.ti.com).

Device	Literature Number
<a href="#">AMC1203</a>	<a href="#">SBAS427</a>
<a href="#">AMC1210</a>	<a href="#">SBAS372</a>

## Contents

1	AMC1203EVM Overview .....	2
	1.1 Features .....	2
	1.2 Introduction .....	2
2	Analog Interface .....	2
	2.1 Analog Inputs .....	2
3	Digital Interface .....	3
4	Power-Supplies .....	4
5	EVM Set-up and Operation .....	4
	5.1 Isolated Power and Analog Inputs: J1 and J4 .....	4
	5.2 Device Operation .....	5
6	BOM, Schematic, and Layout .....	5
	6.1 Schematic .....	5
	6.2 Printed Circuit Board Layout .....	5
	6.3 Bill of Materials .....	6

## 1 AMC1203EVM Overview

### 1.1 Features

#### AMC1203EVM:

- Full-featured evaluation module for the [AMC1203](#) single-channel,  $\Delta\Sigma$  modulator
- 9-pin sub-D connector for interfacing to the [AMC1210](#) digital filter evaluation module
- Screw terminals for easy access to analog inputs

### 1.2 Introduction

The AMC1203 is a 1-bit modulator with an output buffer separated from the input interface circuitry by a silicon dioxide ( $\text{SiO}_2$ ) isolation barrier. The isolation barrier provides galvanic isolation of up to  $4000 V_{\text{PEAK}}$ . When used in combination with the AMC1210 or other digital filter, the AMC1203 can be used to achieve 16-bit analog-to-digital (A/D) conversion with no missing codes.

For use in high-resolution measurement applications, an effective accuracy of 14 bits can be obtained with a digital filter bandwidth of 20 kHz at a modulator rate of 10 MHz.

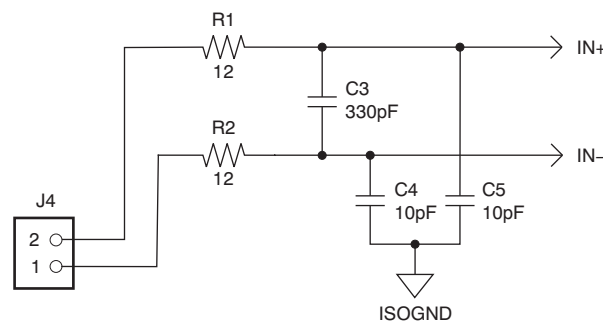
Throughout this document, the abbreviation *EVM* and the term *evaluation module* are synonymous with the AMC1203EVM.

## 2 Analog Interface

The analog input to the AMC1203 is routed from a two-wire screw terminal screw at J4. This screw terminal gives the user access to the inverting and noninverting inputs of the AMC1203.

### 2.1 Analog Inputs

The analog input to the AMC1203EVM board consists of simple R/C filter circuits. The input circuit for the AMC1203 is shown in [Figure 1](#).



**Figure 1. AMC1203EVM Schematic: Analog Input Section**

### 3 Digital Interface

The AMC1203EVM is designed for use with digital filters such as the AMC1210. The output and power for the AMC1203 are routed to a 9-pin, female D-type connector. Both the analog and digital power for the AMC1203, as well as the modulator data and clock outputs from the device under test, are routed to J2, as Figure 2 illustrates.

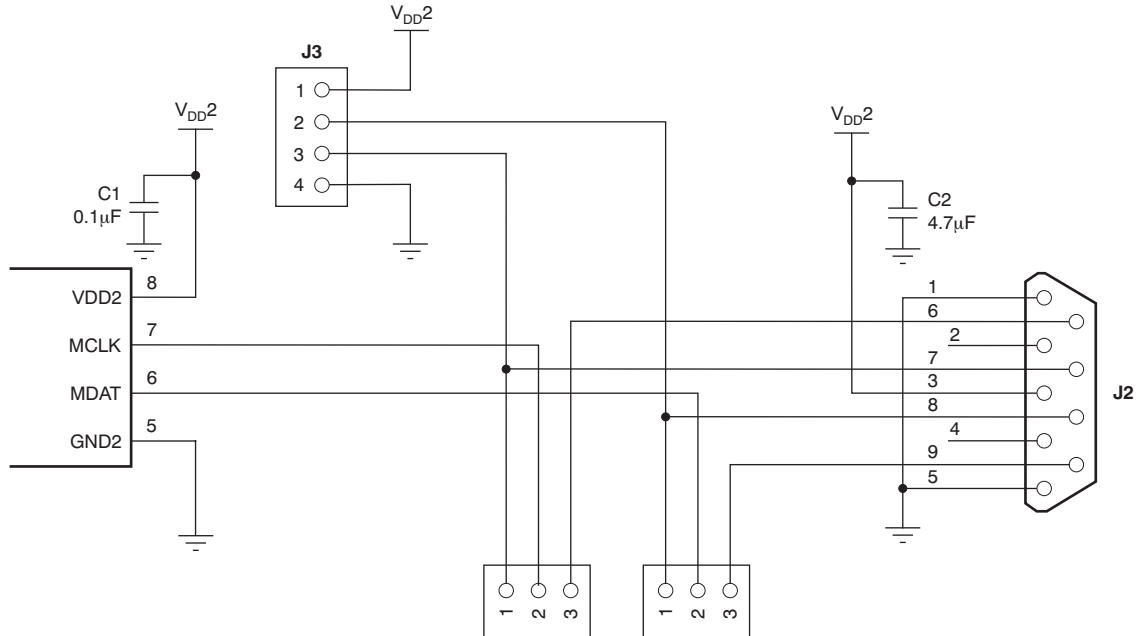


Figure 2. Power and Digital Outputs

Connector J3 and jumpers W1 and W2 can be used to connect up to two AMC1203EVMs together, providing power, MCLK, and MDAT signals to the AMC1210 filter chip using a single 9-pin, female, D-type connector.

## 4 Power-Supplies

J2 provides access to the +5 VA for the  $V_{DD2}$  supply. All power to the board should be sourced from a well-regulated, linear supply that has current limiting capabilities. Power is to be applied through J2. [Table 1](#) describes the pinout for J2.

**Table 1. J2: Power Supply and Digital Outputs**

Signal	Pin Number		Signal
Ground	1	2	Not used
4.5 to 5.5 $V_{DD2}$ supply	3	4	Not used
Ground	5	6	Optional MCLK output
MCLK default	7	8	MDAT default
Optional MDAT output	9		

For standalone operation, power sources can also be applied via a mating connector to J2, and the digital output data stream can be wired directly to an FPGA or other digital filter module for further processing. Refer to [Figure 2](#) or the schematic appended to the end of this document for additional details.

## 5 EVM Set-up and Operation

This section describes the general operation of the AMC1203EVM.

### 5.1 Isolated Power and Analog Inputs: J1 and J4

The isolated power input to the AMC1203EVM printed circuit board (PCB) can be applied directly to J1, pins 1 and 2. [Table 2](#) lists the details of J1.

**Table 2. J1: Isolated Power**

Pin Number	Signal	Description
J1.1	ISOGND	Connection to the AMC1203 GND1 pin
J1.2	5 $V_{ISO}$	Connection to the AMC1203 VDD1 terminal

The analog input to the AMC1203EVM PCB can be applied directly to J4 pins 1 and 2. [Table 3](#) lists the details of J4.

### CAUTION

Carefully review the [AMC1203 product data sheet](#) for the limitations of the analog input range, and ensure that the appropriate analog/digital voltages are applied before connecting any analog input to the EVM.

**Table 3. J4: Analog Inputs**

Pin Number	Signal	Description
J4.1	CHA+	Noninverting analog input to the AMC1203
J4.2	CHA-	Inverting input to the AMC1203

## 5.2 Device Operation

Once the analog and digital power sources are applied to the AMC1203EVM, the digital outputs become active. The AMC1203 is configured to use its onboard modulator clock. The internal reference of the AMC1203 is used as the conversion reference.

Additionally, an analog input signal may be applied directly at screw terminal J1. See [Figure 1](#) and [Table 3](#) for more details. The analog input range, (VIN+) – (VIN–), is ±320 mV.

As the input voltage approaches the maximum input level of +320mV, the 1s density of the modulator output approaches 92%. Likewise, when the input voltage approaches the lower limit of –320 mV, the 1s density is approximately 8%.

## 6 BOM, Schematic, and Layout

This section contains the complete bill of materials, schematic diagram, and PCB layout for the AMC1203EVM.

---

**NOTE:** Board layouts are not to scale. These are intended to show how the board is laid out; they are not intended to be used for manufacturing AMC1203EVM PCBs.

---

### 6.1 Schematic

The AMC1203EVM schematic is appended to this document.

### 6.2 Printed Circuit Board Layout

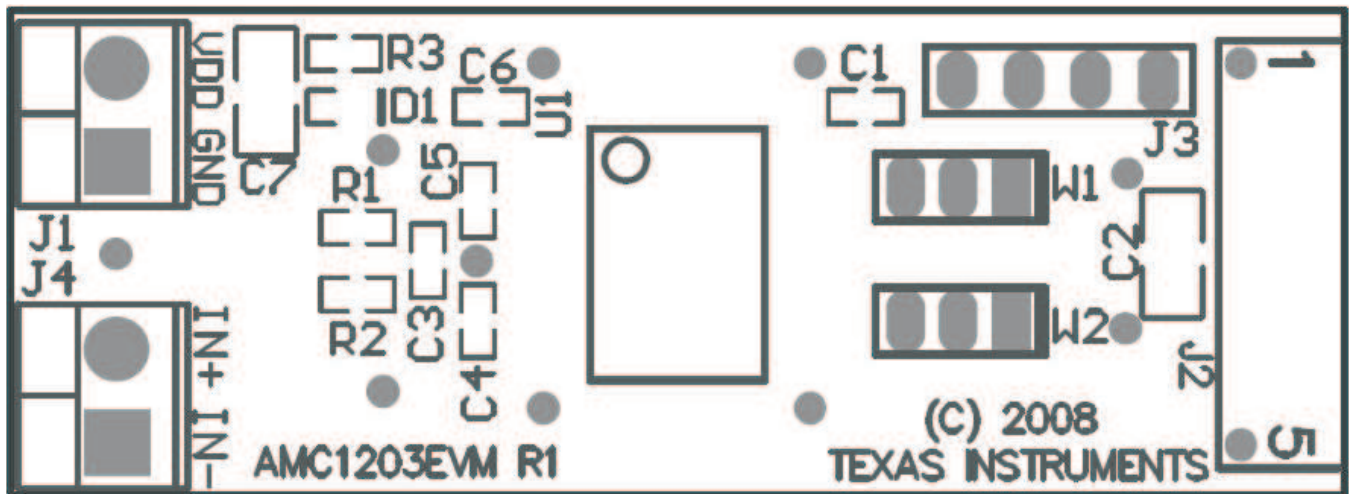


Figure 3. AMC1203EVM Silk Screen Drawing

### 6.3 Bill of Materials

**Table 4. AMC1203EVM Bill of Materials**

Reference Designator	Description	Manufacturer	Mfr Part Number
C1, C6	Capacitor, ceramic 0.10 $\mu$ F 50 V X7R 10% 0603	TDK	C1608X7R1H104K
C2, C7	Capacitor, ceramic 4.7 $\mu$ F 25 V X5R 0805	TDK	C2012X5R1E475K
C3	Capacitor, ceramic 330 pF 50 V C0G 5% 0603	TDK	C1608C0G1H331J
C4, C5	Capacitor, ceramic 10 pF 50 V C0G 0603	TDK	C1608C0G1H100D
D1	Not installed	—	—
J1, J4	Terminal block 3.5 mm 2-pos PCB	On Shore	ED555/2DS
J2	Connector, DB-9 female solder cup tin	Norcomp	172-009-202R001
J3	4-pin, single row header	Samtec	TSW-104-07-L-S
R1, R2	Resistor, 12.0 $\Omega$ 1/10W 1% 0603 SMD	Yageo	RC0603FR-0712RL
R3	Resistor, 0..0 $\Omega$ 1/10W 5% 0603 SMD	Yageo	RC0603JR-070RL
W1, W2	Not installed, solder short pins 1 and 2	—	—
U1	IC Delta-Sigma Mod 1bit 8-SOP	TI	AMC1203BDUB

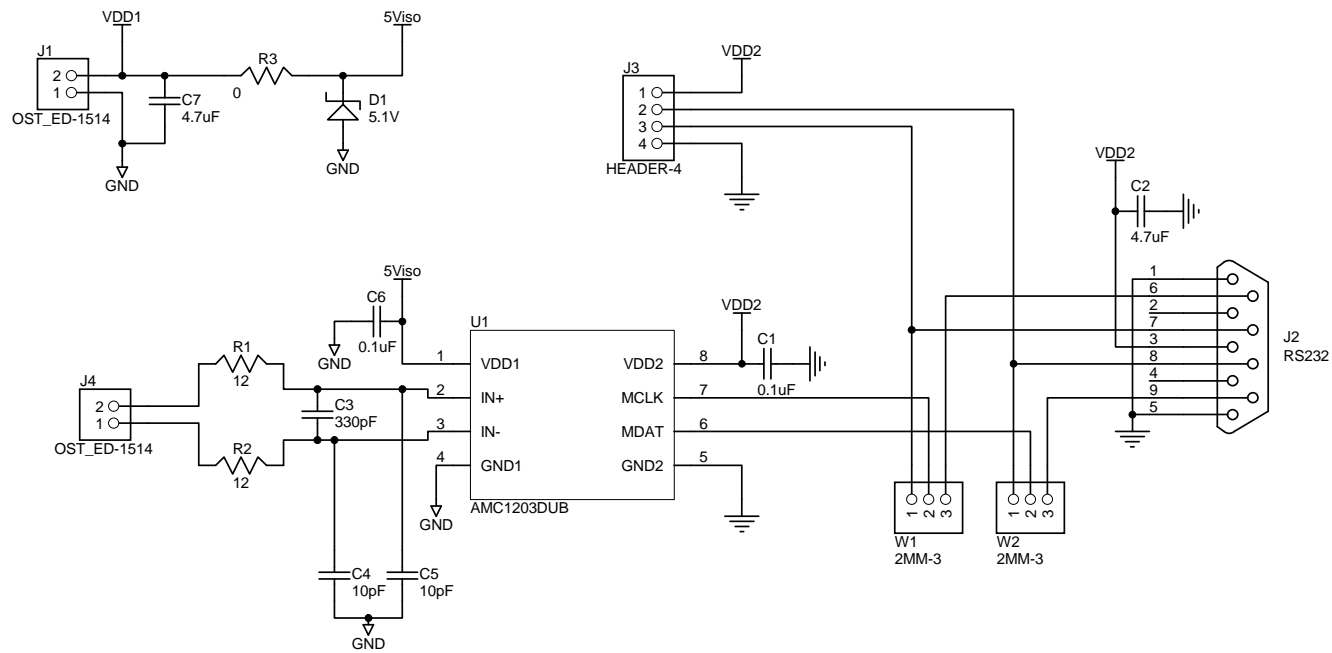
1

2

3

4

REVISION HISTORY		
REV	ENGINEERING CHANGE NUMBER	APPROVED



Precision Analog  
HIGH-PERFORMANCE ANALOG DIVISION  
SEMICONDUCTOR GROUP

12500 TI Blvd, Dallas, TX 75243

ENGINEER <b>Tom Hendrick</b>		TITLE	
DRAWN BY <b>Tom Hendrick</b>		<b>AMC1203EVM</b>	
DOCUMENT CONTROL NO. <b>TBD</b>	SIZE <b>A</b>	DATE <b>05AUG10</b>	REV <b>A</b>
SHEET <b>1</b> OF <b>1</b>	FILE	C:\Userdata\EVMS\AMC1203\AMC1203.ddb - Documents\SCH\AMC1203	

1

2

3

4

## Evaluation Board/Kit Important Notice

Texas Instruments (TI) provides the enclosed product(s) under the following conditions:

This evaluation board/kit is intended for use for **ENGINEERING DEVELOPMENT, DEMONSTRATION, OR EVALUATION PURPOSES ONLY** and is not considered by TI to be a finished end-product fit for general consumer use. Persons handling the product(s) must have electronics training and observe good engineering practice standards. As such, the goods being provided are not intended to be complete in terms of required design-, marketing-, and/or manufacturing-related protective considerations, including product safety and environmental measures typically found in end products that incorporate such semiconductor components or circuit boards. This evaluation board/kit does not fall within the scope of the European Union directives regarding electromagnetic compatibility, restricted substances (RoHS), recycling (WEEE), FCC, CE or UL, and therefore may not meet the technical requirements of these directives or other related directives.

Should this evaluation board/kit not meet the specifications indicated in the User's Guide, the board/kit may be returned within 30 days from the date of delivery for a full refund. **THE FOREGOING WARRANTY IS THE EXCLUSIVE WARRANTY MADE BY SELLER TO BUYER AND IS IN LIEU OF ALL OTHER WARRANTIES, EXPRESSED, IMPLIED, OR STATUTORY, INCLUDING ANY WARRANTY OF MERCHANTABILITY OR FITNESS FOR ANY PARTICULAR PURPOSE.**

The user assumes all responsibility and liability for proper and safe handling of the goods. Further, the user indemnifies TI from all claims arising from the handling or use of the goods. Due to the open construction of the product, it is the user's responsibility to take any and all appropriate precautions with regard to electrostatic discharge.

**EXCEPT TO THE EXTENT OF THE INDEMNITY SET FORTH ABOVE, NEITHER PARTY SHALL BE LIABLE TO THE OTHER FOR ANY INDIRECT, SPECIAL, INCIDENTAL, OR CONSEQUENTIAL DAMAGES.**

TI currently deals with a variety of customers for products, and therefore our arrangement with the user **is not exclusive.**

TI assumes **no liability for applications assistance, customer product design, software performance, or infringement of patents or services described herein.**

Please read the User's Guide and, specifically, the Warnings and Restrictions notice in the User's Guide prior to handling the product. This notice contains important safety information about temperatures and voltages. For additional information on TI's environmental and/or safety programs, please contact the TI application engineer or visit [www.ti.com/esh](http://www.ti.com/esh).

No license is granted under any patent right or other intellectual property right of TI covering or relating to any machine, process, or combination in which such TI products or services might be or are used.

## FCC Warning

This evaluation board/kit is intended for use for **ENGINEERING DEVELOPMENT, DEMONSTRATION, OR EVALUATION PURPOSES ONLY** and is not considered by TI to be a finished end-product fit for general consumer use. It generates, uses, and can radiate radio frequency energy and has not been tested for compliance with the limits of computing devices pursuant to part 15 of FCC rules, which are designed to provide reasonable protection against radio frequency interference. Operation of this equipment in other environments may cause interference with radio communications, in which case the user at his own expense will be required to take whatever measures may be required to correct this interference.

## EVM Warnings and Restrictions

It is important to operate this EVM within the input voltage range of 0V to 5V and the output voltage range of 0V to 5V.

Exceeding the specified input range may cause unexpected operation and/or irreversible damage to the EVM. If there are questions concerning the input range, please contact a TI field representative prior to connecting the input power.

Applying loads outside of the specified output range may result in unintended operation and/or possible permanent damage to the EVM. Please consult the EVM User's Guide prior to connecting any load to the EVM output. If there is uncertainty as to the load specification, please contact a TI field representative.

During normal operation, some circuit components may have case temperatures greater than +30°C. The EVM is designed to operate properly with certain components above +30°C as long as the input and output ranges are maintained. These components include but are not limited to linear regulators, switching transistors, pass transistors, and current sense resistors. These types of devices can be identified using the EVM schematic located in the EVM User's Guide. When placing measurement probes near these devices during operation, please be aware that these devices may be very warm to the touch.

Mailing Address: Texas Instruments, Post Office Box 655303, Dallas, Texas 75265  
Copyright © 2010, Texas Instruments Incorporated



## IMPORTANT NOTICE

Texas Instruments Incorporated and its subsidiaries (TI) reserve the right to make corrections, modifications, enhancements, improvements, and other changes to its products and services at any time and to discontinue any product or service without notice. Customers should obtain the latest relevant information before placing orders and should verify that such information is current and complete. All products are sold subject to TI's terms and conditions of sale supplied at the time of order acknowledgment.

TI warrants performance of its hardware products to the specifications applicable at the time of sale in accordance with TI's standard warranty. Testing and other quality control techniques are used to the extent TI deems necessary to support this warranty. Except where mandated by government requirements, testing of all parameters of each product is not necessarily performed.

TI assumes no liability for applications assistance or customer product design. Customers are responsible for their products and applications using TI components. To minimize the risks associated with customer products and applications, customers should provide adequate design and operating safeguards.

TI does not warrant or represent that any license, either express or implied, is granted under any TI patent right, copyright, mask work right, or other TI intellectual property right relating to any combination, machine, or process in which TI products or services are used. Information published by TI regarding third-party products or services does not constitute a license from TI to use such products or services or a warranty or endorsement thereof. Use of such information may require a license from a third party under the patents or other intellectual property of the third party, or a license from TI under the patents or other intellectual property of TI.

Reproduction of TI information in TI data books or data sheets is permissible only if reproduction is without alteration and is accompanied by all associated warranties, conditions, limitations, and notices. Reproduction of this information with alteration is an unfair and deceptive business practice. TI is not responsible or liable for such altered documentation. Information of third parties may be subject to additional restrictions.

Resale of TI products or services with statements different from or beyond the parameters stated by TI for that product or service voids all express and any implied warranties for the associated TI product or service and is an unfair and deceptive business practice. TI is not responsible or liable for any such statements.

TI products are not authorized for use in safety-critical applications (such as life support) where a failure of the TI product would reasonably be expected to cause severe personal injury or death, unless officers of the parties have executed an agreement specifically governing such use. Buyers represent that they have all necessary expertise in the safety and regulatory ramifications of their applications, and acknowledge and agree that they are solely responsible for all legal, regulatory and safety-related requirements concerning their products and any use of TI products in such safety-critical applications, notwithstanding any applications-related information or support that may be provided by TI. Further, Buyers must fully indemnify TI and its representatives against any damages arising out of the use of TI products in such safety-critical applications.

TI products are neither designed nor intended for use in military/aerospace applications or environments unless the TI products are specifically designated by TI as military-grade or "enhanced plastic." Only products designated by TI as military-grade meet military specifications. Buyers acknowledge and agree that any such use of TI products which TI has not designated as military-grade is solely at the Buyer's risk, and that they are solely responsible for compliance with all legal and regulatory requirements in connection with such use.

TI products are neither designed nor intended for use in automotive applications or environments unless the specific TI products are designated by TI as compliant with ISO/TS 16949 requirements. Buyers acknowledge and agree that, if they use any non-designated products in automotive applications, TI will not be responsible for any failure to meet such requirements.

Following are URLs where you can obtain information on other Texas Instruments products and application solutions:

<b>Products</b>		<b>Applications</b>	
Amplifiers	<a href="http://amplifier.ti.com">amplifier.ti.com</a>	Audio	<a href="http://www.ti.com/audio">www.ti.com/audio</a>
Data Converters	<a href="http://dataconverter.ti.com">dataconverter.ti.com</a>	Automotive	<a href="http://www.ti.com/automotive">www.ti.com/automotive</a>
DLP® Products	<a href="http://www.dlp.com">www.dlp.com</a>	Communications and Telecom	<a href="http://www.ti.com/communications">www.ti.com/communications</a>
DSP	<a href="http://dsp.ti.com">dsp.ti.com</a>	Computers and Peripherals	<a href="http://www.ti.com/computers">www.ti.com/computers</a>
Clocks and Timers	<a href="http://www.ti.com/clocks">www.ti.com/clocks</a>	Consumer Electronics	<a href="http://www.ti.com/consumer-apps">www.ti.com/consumer-apps</a>
Interface	<a href="http://interface.ti.com">interface.ti.com</a>	Energy	<a href="http://www.ti.com/energy">www.ti.com/energy</a>
Logic	<a href="http://logic.ti.com">logic.ti.com</a>	Industrial	<a href="http://www.ti.com/industrial">www.ti.com/industrial</a>
Power Mgmt	<a href="http://power.ti.com">power.ti.com</a>	Medical	<a href="http://www.ti.com/medical">www.ti.com/medical</a>
Microcontrollers	<a href="http://microcontroller.ti.com">microcontroller.ti.com</a>	Security	<a href="http://www.ti.com/security">www.ti.com/security</a>
RFID	<a href="http://www.ti-rfid.com">www.ti-rfid.com</a>	Space, Avionics & Defense	<a href="http://www.ti.com/space-avionics-defense">www.ti.com/space-avionics-defense</a>
RF/IF and ZigBee® Solutions	<a href="http://www.ti.com/lprf">www.ti.com/lprf</a>	Video and Imaging	<a href="http://www.ti.com/video">www.ti.com/video</a>
		Wireless	<a href="http://www.ti.com/wireless-apps">www.ti.com/wireless-apps</a>

Mailing Address: Texas Instruments, Post Office Box 655303, Dallas, Texas 75265  
Copyright © 2010, Texas Instruments Incorporated