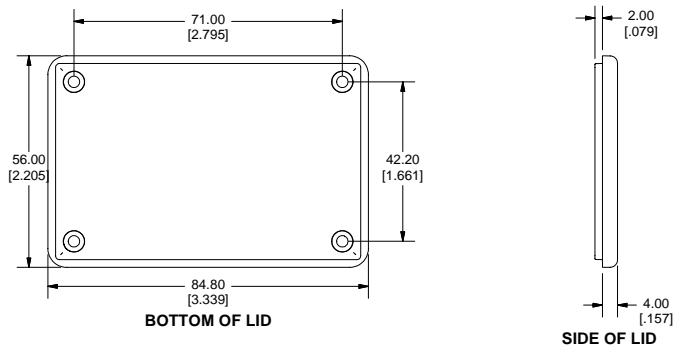
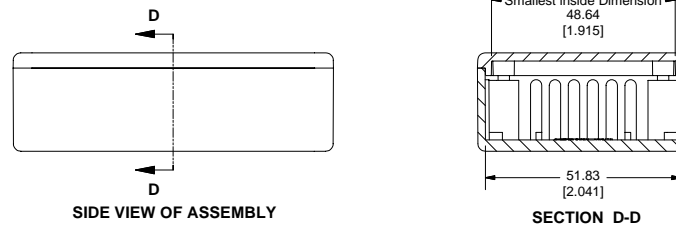
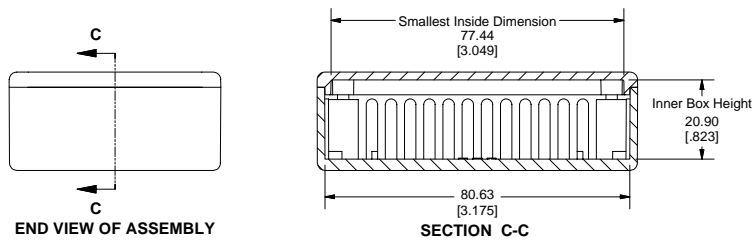
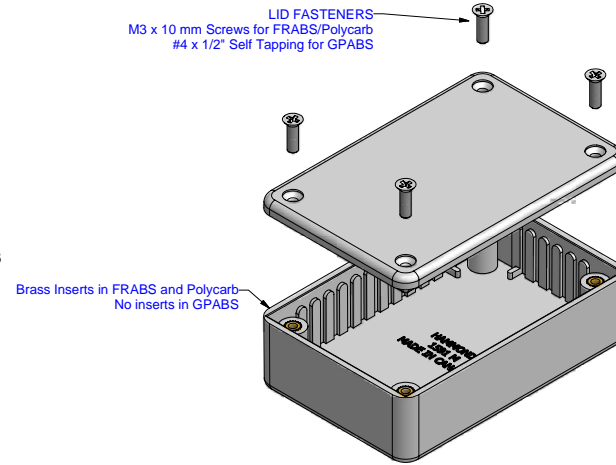
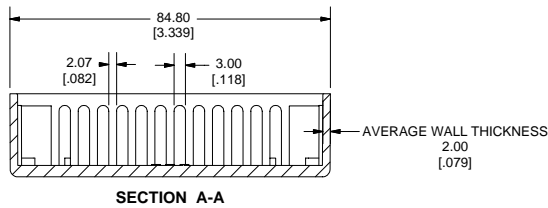
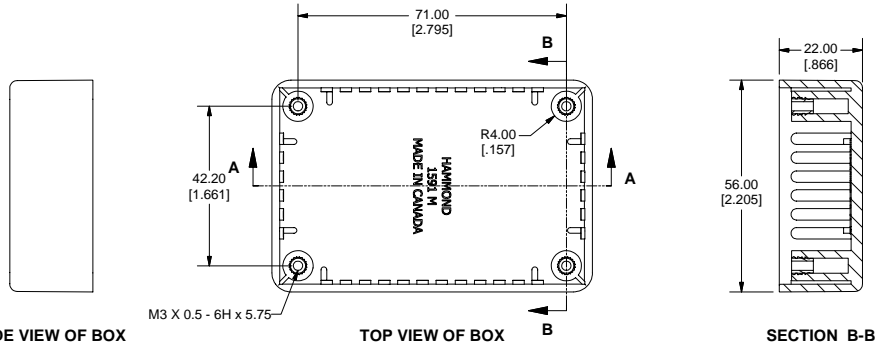


# 1591M Enclosure



**Note:**

Enclosures can be Factory Modified ( Milling, Drilling, Printing etc. )  
Solid models of this enclosure available in STEP or IGES Format.  
Contact Factory [mjm@hammondmfg.com](mailto:mjm@hammondmfg.com)



| PART NUMBERS                                  |   |                                   |
|---|---|-----------------------------------|
| 1591M Enclosures                              |   |                                   |
| Material                                      | Colour  | Part Number                       |
| FR ABS<br>UL94 - V0                           | Black   | 1591MBK                           |
|   | Grey  | 1591MGY                           |
|   | Black Shielded ( Conductive Paint )                                 | 1591MBK                           |
| GP ABS  | Black   | 1591MSBK                          |
|   | Grey  | 1591MSGY                          |
| Translucent<br>Polycarbonate                  | Ice Blue  | 1591MTBU                          |
|   | IR Red  | 1591MTRD                          |
|   | Crystal Clear   | 1591MTCL                          |
| Accessories                                   |   |                                   |
|   | Description   | Part Number                       |
| Universal<br>Application                      | PC Board Card Adapters  | See Accessories<br>Section        |
|   | Flange Kits   | See Accessories<br>Section        |
|   | Clear Lids - clear, flame retardant<br>polycarbonate - Lid ONLY     | 1591MC                            |
| FR ABS &<br>Polycarbonate                     | Replacement Screws, Flat head Phillips, Nickel<br>Plated Pkg of 100 | 1591MS100<br>1591MS100BK (Black)  |
|   | Self Tapping Pkg of 100   | 1591TS100<br>1591TS100BK ( Black) |
| Required Torque on Fasteners (no lubrication) |   |                                   |
|   | M3 - 0.5 x 10mm Screws  | 30-40 cN·m                        |
|   | #4 x 0.5 Screws   | 30-40 cN·m                        |