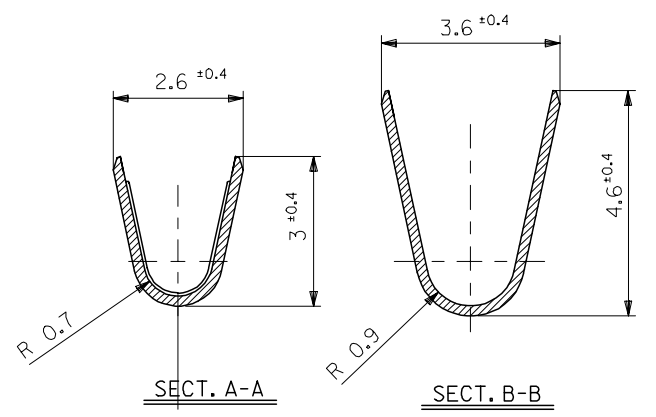
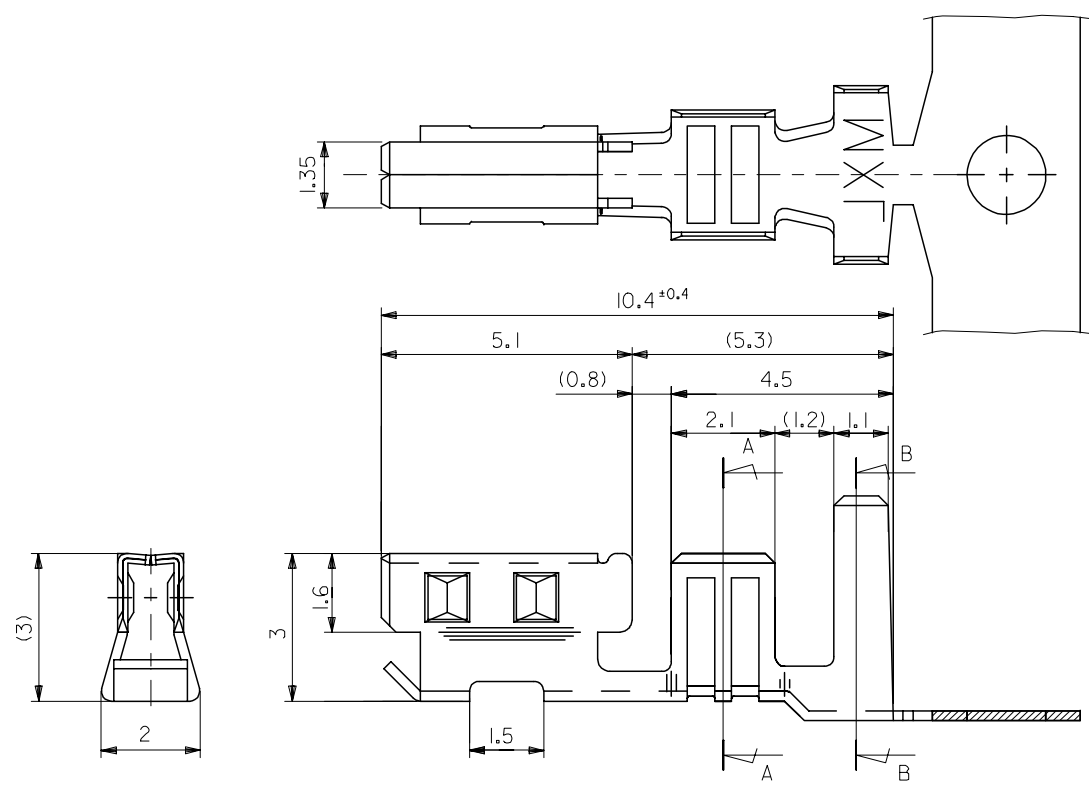


PART NUMBER CHAIN	PART NUMBER LOOSE
87943-2101	87943-2001



NOTES:

- 1.MATERIAL : TIN PLATED HIGH CONDUCTIVE COPPER ALLOY WITH THICKNESS 0.2mm.
- 2.APPLICABLE HOUSING: 87943-7001.
- 3.APPLICABLE WIRE : 20 AWG.
- 4.APPLICABLE INSULATION RANGE: 1.87mm to 2.45mm.
- 5.CRIMP SPECIFICATION : CS-50350

<b>ADD TEXTS</b> EC NO: S2006-0818 DRWN:KELIM 2006/05/09 CHKD:NRVITTPAL 2006/05/09 APPR:PTLIM 2006/05/10	<b>DESCRIPTION</b> A1	<b>QUALITY SYMBOLS</b> ▽=0 ▽=0	<b>GENERAL TOLERANCES (UNLESS SPECIFIED)</b>		<b>DIMENSION STYLE</b> MM ONLY		<b>SCALE</b> NTS	<b>DESIGN UNITS</b> METRIC	THIRD ANGLE PROJECTION																												
					<table border="1"> <tr> <th></th> <th>mm</th> <th>INCH</th> </tr> <tr> <td>4 PLACES</td> <td>± ---</td> <td>± ---</td> </tr> <tr> <td>3 PLACES</td> <td>± ---</td> <td>± ---</td> </tr> <tr> <td>2 PLACES</td> <td>± ---</td> <td>± ---</td> </tr> <tr> <td>1 PLACE</td> <td>± 0.25</td> <td>± ---</td> </tr> </table>			mm	INCH	4 PLACES	± ---	± ---	3 PLACES	± ---	± ---	2 PLACES	± ---	± ---	1 PLACE	± 0.25	± ---	<table border="1"> <tr> <th>DRAWN BY</th> <th>DATE</th> </tr> <tr> <td>NRVITTPAL</td> <td>2005/05/11</td> </tr> <tr> <th>CHECKED BY</th> <th>DATE</th> </tr> <tr> <td>PTLIM</td> <td>2005/05/13</td> </tr> <tr> <th>APPROVED BY</th> <th>DATE</th> </tr> <tr> <td>SCLOW</td> <td>2005/05/13</td> </tr> </table>		DRAWN BY	DATE	NRVITTPAL	2005/05/11	CHECKED BY	DATE	PTLIM	2005/05/13	APPROVED BY	DATE	SCLOW	2005/05/13	<b>TITLE</b> CRIMP TERMINAL, SIGNAL 2.5/3.5 W-T-B RECEPTACLE	
				mm	INCH																																
			4 PLACES	± ---	± ---																																
3 PLACES	± ---	± ---																																			
2 PLACES	± ---	± ---																																			
1 PLACE	± 0.25	± ---																																			
DRAWN BY	DATE																																				
NRVITTPAL	2005/05/11																																				
CHECKED BY	DATE																																				
PTLIM	2005/05/13																																				
APPROVED BY	DATE																																				
SCLOW	2005/05/13																																				
<b>DRAFT WHERE APPLICABLE MUST REMAIN WITHIN DIMENSIONS</b>		<b>SIZE</b> A3		<b>SEE TABLE</b>		<b>MOLEX INCORPORATED</b>		<b>DOCUMENT NO.</b> SD-87943-021		<b>SHEET NO.</b> 1 OF 1																											