

.050" (1,27mm) EJECTOR HEADER EHF, ECF SERIES

SPECIFICATIONS

For complete specifications and recommended PCB layouts see www.samtec.com?EHF

Insulator Material:
Black Liquid Crystal Polymer



Terminal Material:
Phosphor Bronze

Plating:
Sn or Au over 50µ" (1,27µm) Ni

Current Rating:
1.75A @ 80°C ambient

Operating Temp Range:
-55°C to +125°C

RoHS Compliant:
Yes

Processing:

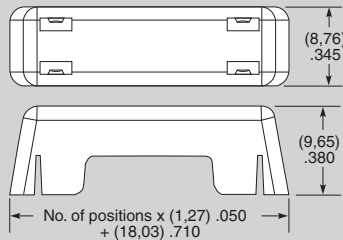
Max Processing Temp:
230°C for 60 seconds, or 260°C for 20 seconds 3x

Lead-Free Solderable:
Yes

SMT Lead Coplanarity:
(0,10mm) .004" max

Mates with:
FFSD

EJECTOR HEADER CAP (Locks FFSD cable to EHF header)

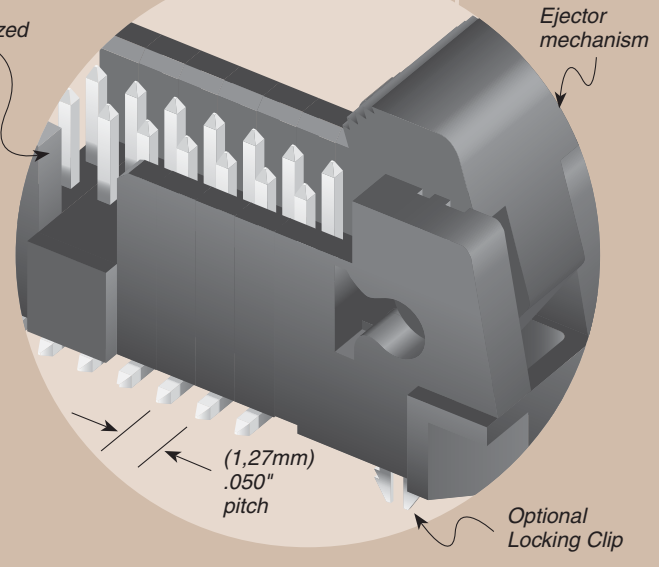


ECF — NO. PINS PER ROW

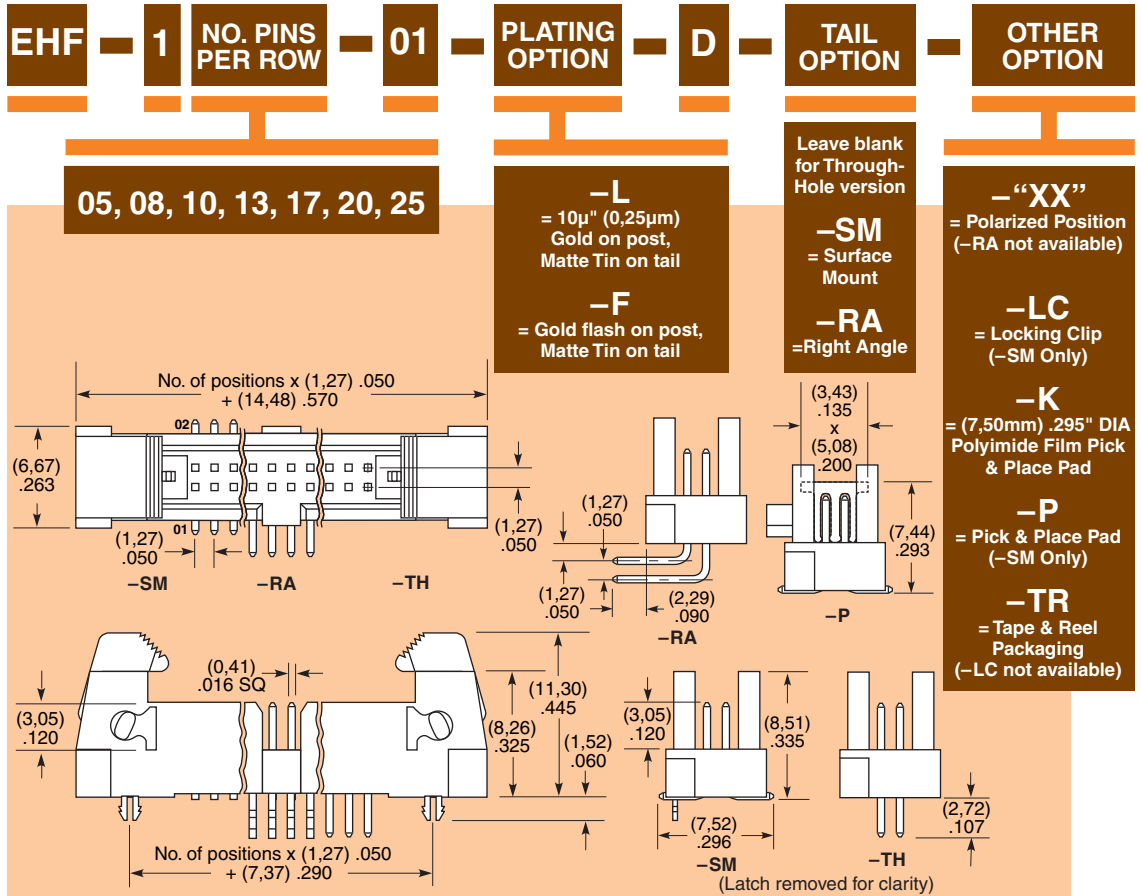
05, 08, 10,
13, 17, 20, 25

Polarized

Ejector mechanism



Optional Locking Clip



Note: Some lengths, styles and options are non-standard, non-returnable.

Due to technical progress, all designs, specifications and components are subject to change without notice.

WWW.SAMTEC.COM