

# 0,80mm HI-SPEED SOCKET QSE, CQSE SERIES

## SPECIFICATIONS

For complete specifications and recommended PCB layouts see [www.samtec.com?QSE](http://www.samtec.com?QSE)

### QSE

**Insulator Material:** Liquid Crystal Polymer  
**Terminal Material:** Phosphor Bronze **CRUS**  
**Plating:** Au over 50µ" (1,27µm) Ni  
**Current Rating:** Contacts: 2A @ 80°C  
 Ground Plane: 9.5A @ 80°C  
**Operating Temp Range:** -55°C to +125°C  
**Voltage Rating:** 225 VAC (5mm Stack Height)  
**Max Cycles:** 100  
**Unmating Force (-RT1 option):** -RT1 option increases unmating force up to 50%  
**RoHS Compliant:** Yes

**Processing:**  
**Max Processing Temp:** 230°C for 60 seconds, or 260°C for 20 seconds 3x  
**Lead-Free Solderable:** Yes  
**SMT Lead Coplanarity:** (0,10mm) .004" max (020-060) (0,15mm) .006" max (080)  
**Board Stacking:** For applications requiring more than two connectors per board or 80 positions or higher, contact [ipg@samtec.com](mailto:ipg@samtec.com)

## SPECIFICATIONS

For complete specifications and recommended PCB layouts see [www.samtec.com?CQSE](http://www.samtec.com?CQSE)

### CQSE

Same as QSE except:  
**UL & CSA certification pending**  
**Plating:** Electro-Polished Selective  
**Max Cycles:** 25

## APPLICATION SPECIFIC OPTION

- 14mm, 15mm, 22mm and 30mm stack height (Caution: Some automatic placement/inspection machines may have component height restrictions. Please consult machinery specifications.)
  - 30µ" (0,76µm) Gold (Specify -H plating for Data Rate cable mating applications, QSE only)
  - Edge Mount (QSE only)
  - 100 positions per row (QSE only)
  - Guide Posts and Friction Lock options (QSE only)
- Call Samtec.

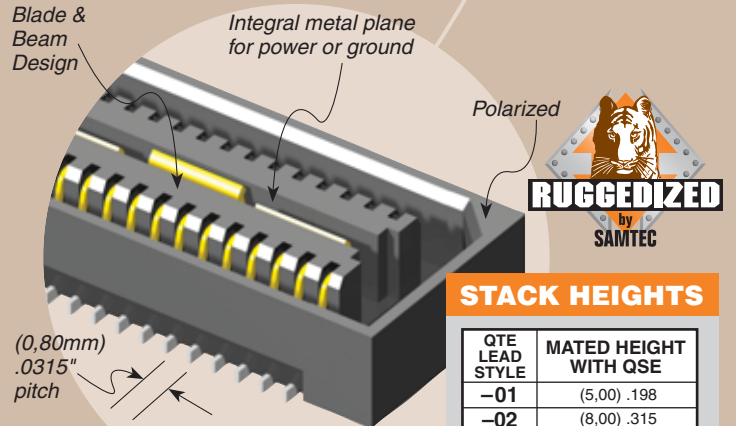
**Mates with:** QTE, CQTE, EQCD, EQSD (See Application Specific note)



**Note:** Some lengths, styles and options are non-standard, non-returnable.

5mm Stack Height	Rated @ -3dB Insertion Loss
Single-Ended Signaling	9 GHz / 18 Gbps
Differential Pair Signaling	8 GHz / 16 Gbps

Performance data for other stack heights available at [www.samtec.com?QSE](http://www.samtec.com?QSE)



## STACK HEIGHTS

QTE LEAD STYLE	MATED HEIGHT WITH QSE
-01	(5,00) .198
-02	(8,00) .315
-03	(11,00) .433
-04	(16,00) .630
-05	(19,00) .748
-07	(25,00) .984

Processing conditions will affect mated height.

## ALSO AVAILABLE

Differential Pair version. See QSE-DP Series.  
 Board Spacing Standoffs. See SO Series.



-020, -040, -060, -080  
(40 total positions per bank)

**QSE**  
(Requires -L or -F plating)

**CQSE**  
(Requires -C plating)

**-L**  
= 10µ" (0,25µm) Gold on Signal Pins and Ground Plane, Matte Tin on tails (QSE only)

**-F**  
= Gold Flash on Signal Pins and Ground Plane, Matte Tin on tails (QSE only)

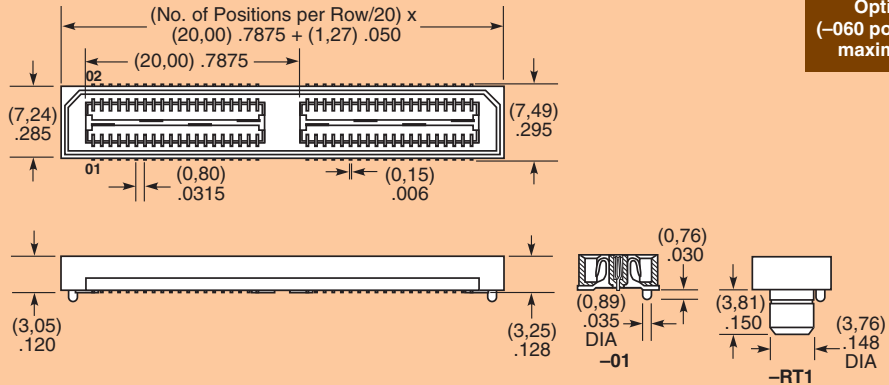
**-C**  
= Electro-Polished Selective (CQSE only)

## QSE Series Only

**-K**  
= (8,25mm) .325" DIA Polyimide Film Pick & Place Pad

**-TR**  
= Tape & Reel Packaging (-060 positions maximum)

**-RT1**  
= Retention Option (-060 positions maximum)



Due to technical progress, all designs, specifications and components are subject to change without notice.

[WWW.SAMTEC.COM](http://WWW.SAMTEC.COM)