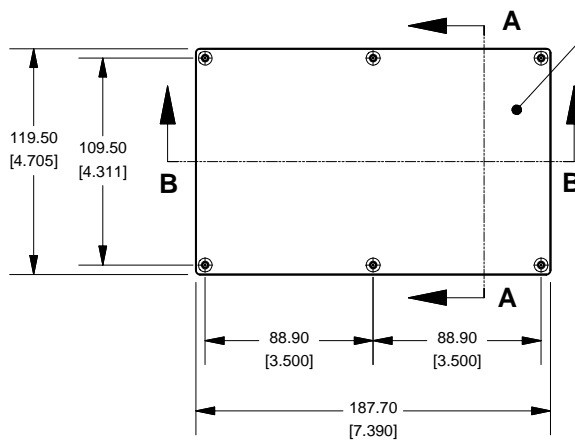
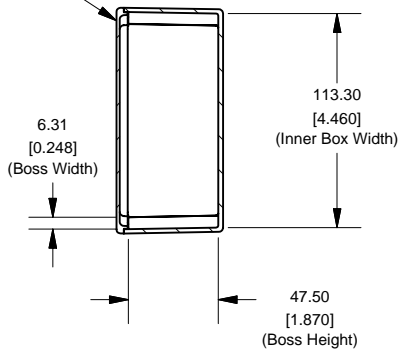


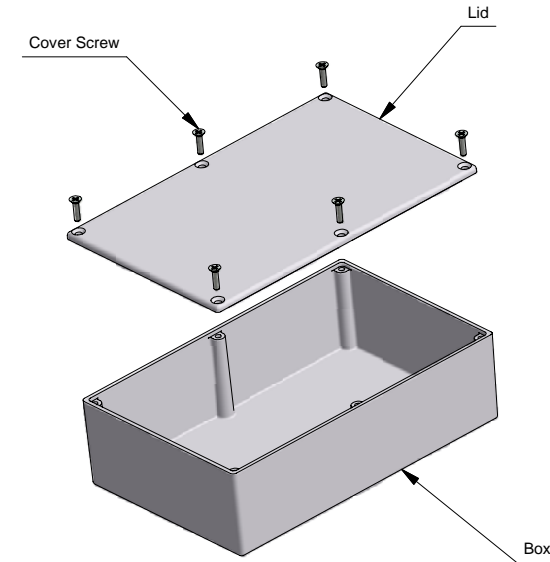
Top View of Assembly



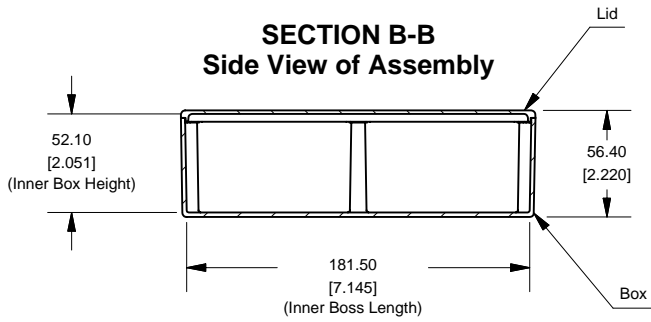
SECTION A-A End View of Assembly



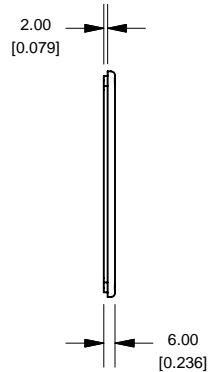
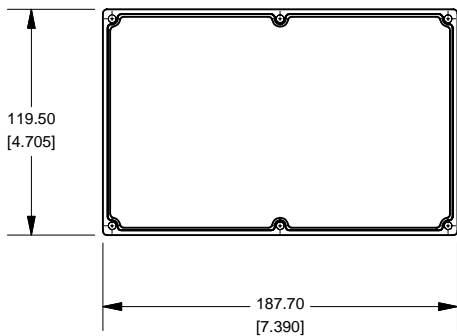
Eddystone - Shallow Lid (26827PSLA)



SECTION B-B Side View of Assembly



Lid



PART DESCRIPTION	
Part Number:	26827PSLA
Material:	Diecast Aluminum Alloy
Screw Type:	M3.5 x 6 taptite screws (Includes 6) (Screws accept POZIDRIV No.2 screwdriver)



www.hammondmfg.com