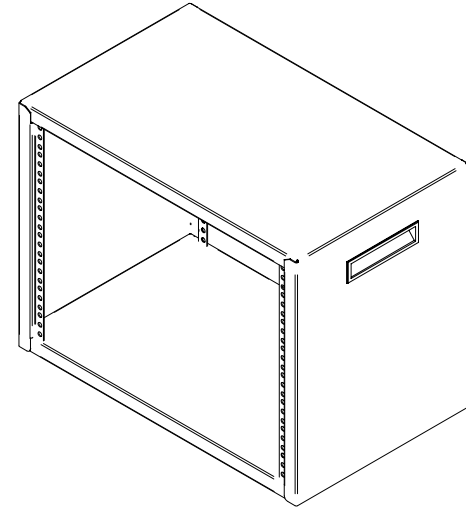


PART No. RCBS1901413

for more information visit
www.hammondmfg.com

Data subject to change without notice

ISOMETRIC VIEW NOT TO SCALE



**HOLE SPACING PER
EIA-310-D UNIVERSAL**

