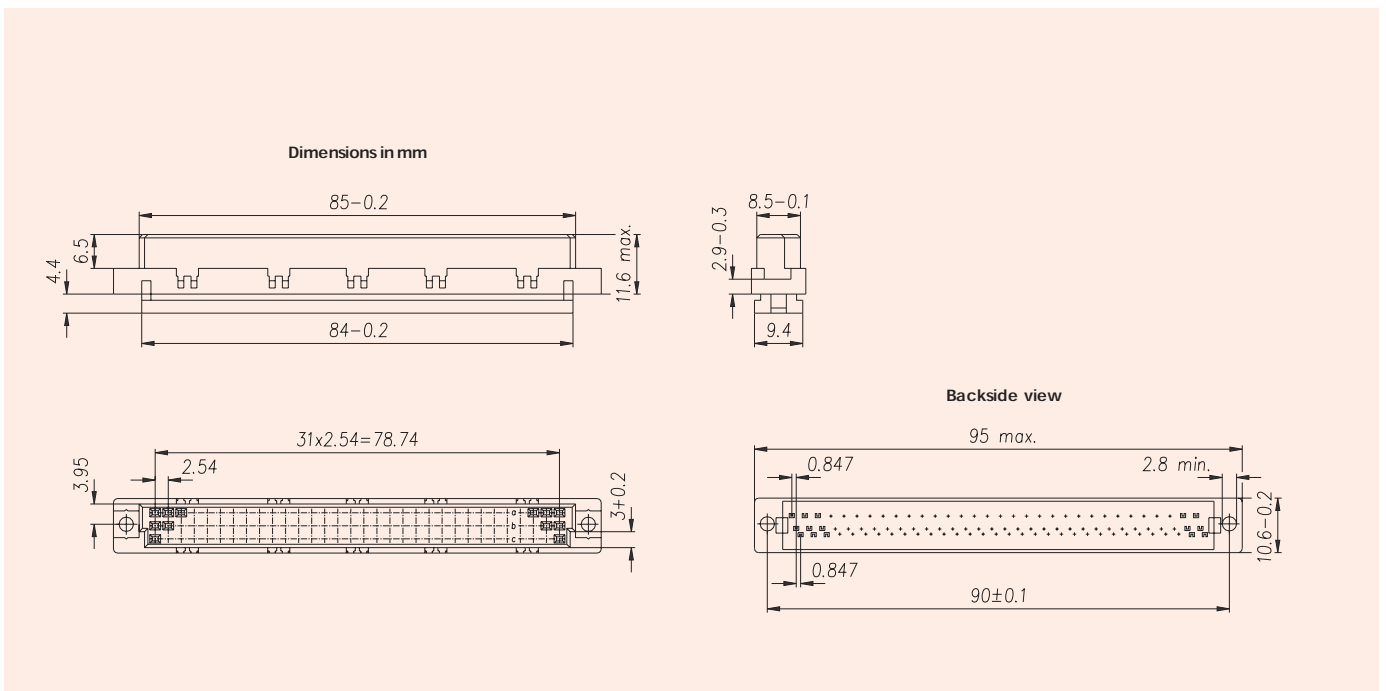




Female IDC Connectors Type C



No. of Positions		64	96
Type	Q uality C lass	Part Numbers	
C -Female connector	I	104-49057	104-49067
	II	104-49054	104-49064
	III	—	—
FlatC able	AW G 28	—	104-19002

Specifications

<i>C ontact</i>	C uSn, A u over Ni	<i>O perating C urrent</i>	1 A at 20° C
<i>T erminals</i>	IDC	<i>O perating Voltage</i>	220 V, 50 Hz
<i>Housing</i>	Polyester, self extinguishing att. UL 94 V 0	<i>T est Voltage</i>	500 V / 1,27 mm ; 350 V / 0,84 mm
<i>Temperature Range</i>	-55 °C to +125 °C	<i>C ontact Resistance</i>	≤ 30 mΩ
<i>Mating C ycles</i>	Q uality C lass I...II...III = 500...400...50	<i>I nsulation Resistance</i>	≥ 10 ⁹ Ω
		<i>C apacitance</i>	0,5 - 1 pF