

Surface  
**SMT**  
Mount

# 2mm STANDARD SOCKET TLE SERIES

## SPECIFICATIONS

For complete specifications and recommended PCB layouts see [www.samtec.com?TLE](http://www.samtec.com?TLE)

**Insulator Material:**  
Black Liquid Crystal Polymer



**Contact Material:**  
Phosphor Bronze

**Plating:**  
Au over 50µ" (1,27µm) Ni

**Operating Temp Range:**  
-55°C to +125°C

**Insertion Depth:**  
(2,08mm) .082" to (4,37mm) .172" with (0,38mm) .015" wiper, pass-through, or (3,35mm) .132" min for bottom entry

**Insertion Force:**  
(Single contact only) 2.75oz (0,76N) avg.

**Withdrawal Force:**  
(Single contact only) 0.80oz (0,22N) avg.

**RoHS Compliant:**  
Yes

## Processing:

**Max Processing Temp:**  
230°C for 60 seconds, or 260°C for 20 seconds 3x

**Lead-Free Solderable:**  
Yes

**SMT Lead Coplanarity:**  
(0,10mm) .004" max (02-26)  
(0,15mm) .006" max (27-50)

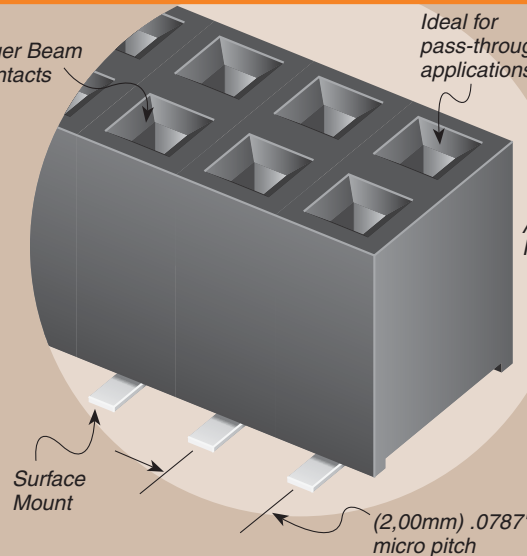
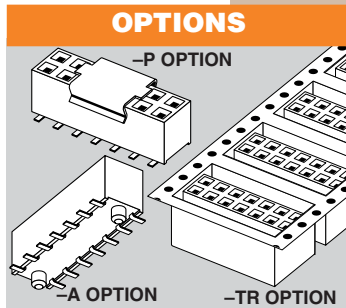
Mates with:  
TMMH, TMM,  
MTMM, MMT,  
TW, LTMM,  
ZLTMM, TCMD



Tiger Beam contacts

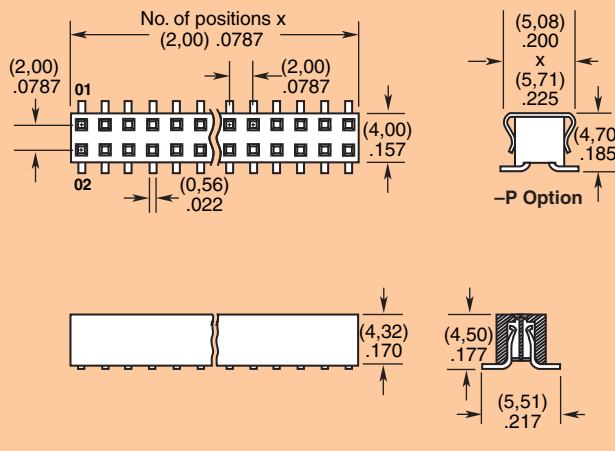
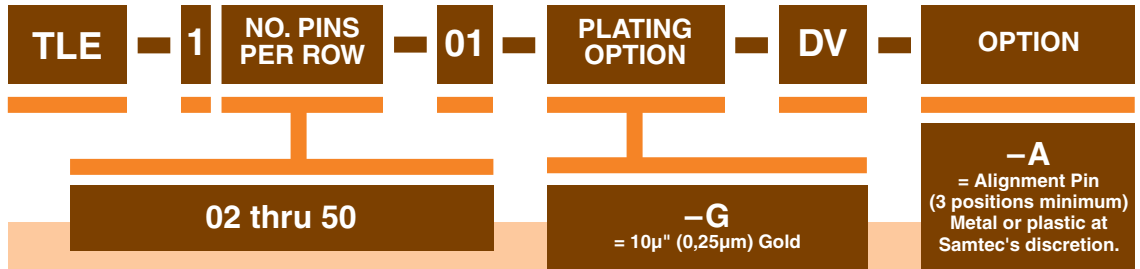
Ideal for pass-through applications

Available with optional Pick & Place Pads



Surface Mount

(2,00mm) .0787" micro pitch



- A**  
= Alignment Pin (3 positions minimum)  
Metal or plastic at Samtec's discretion.
- K**  
= (5,00mm) .197" DIA Polyimide Film Pick & Place Pad (3 positions minimum)
- P**  
= Metal Pick & Place Pad (4 positions minimum)
- TR**  
= Tape & Reel Packaging (2-37 positions only)

**TAPE & REEL AVAILABILITY**

No tooling charges.  
125 piece minimum order.  
Order any quantity above minimum.  
In-house design, manufacture.  
Quick turn-around.

Call Samtec for specifications and ordering information.

**Note:** Some lengths, styles and options are non-standard, non-returnable.

*Due to technical progress, all designs, specifications and components are subject to change without notice.*

[WWW.SAMTEC.COM](http://WWW.SAMTEC.COM)