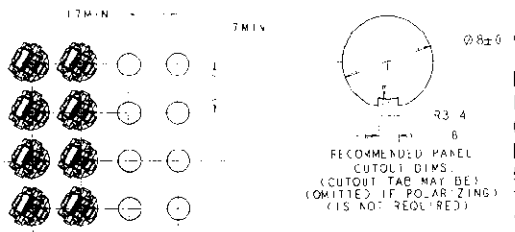
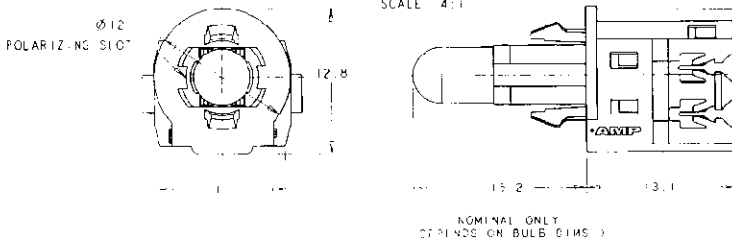
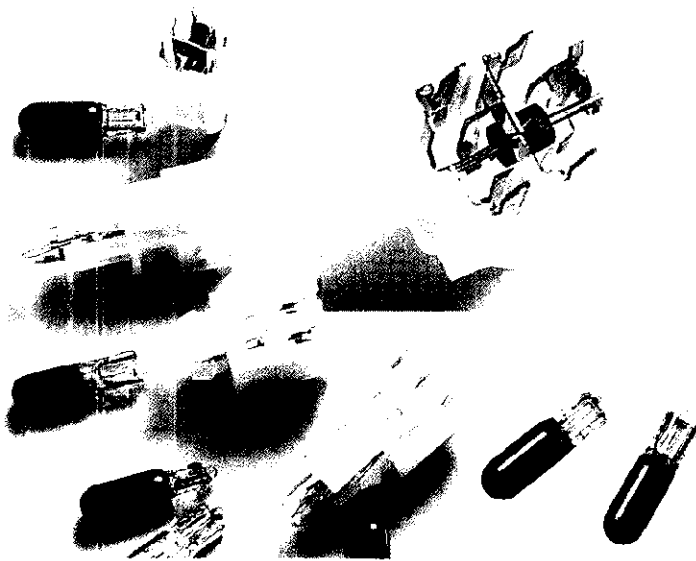


5mm IDC Bulbholder



Material:
Housing* UL94V2 PA66
Contacts - Brass

Bulb
5mm wedge base
To BS 941

* Other materials available on request

Part Numbers	Description
349494-1	Bulbholder with diode and clear bulb
349494-2	Bulbholder with diode, without bulb
349494-3	Bulbholder with diode and red bulb
349494-4	Bulbholder with diode and blue bulb
349494-5	Bulbholder with diode and green bulb
349494-6	Bulbholder with diode and yellow bulb
349495-1	Bulbholder without diode, with clear bulb
349495-2	Bulbholder without diode and bulb

Product Facts

- Designed for mass termination
- IDC wire termination for 7/0.2 wire
- Suitable for daisy chain application
- Primary & secondary wire retention
- Board lock feature for panel mounting
- Dual beam contact design for bulb
- 17mm square panel mounting density
- Supplied with or without bulbs
- Supplied with or without diode
- Push-fit into panel

Application Tooling

T Hand Tool No: 1-525421-3

Pneumatic Hand Tool No: 525428-5

Instruction Sheet

411-3200

Performance Data

Voltage Rating: 12 volts

Operating Temperature: 105° max

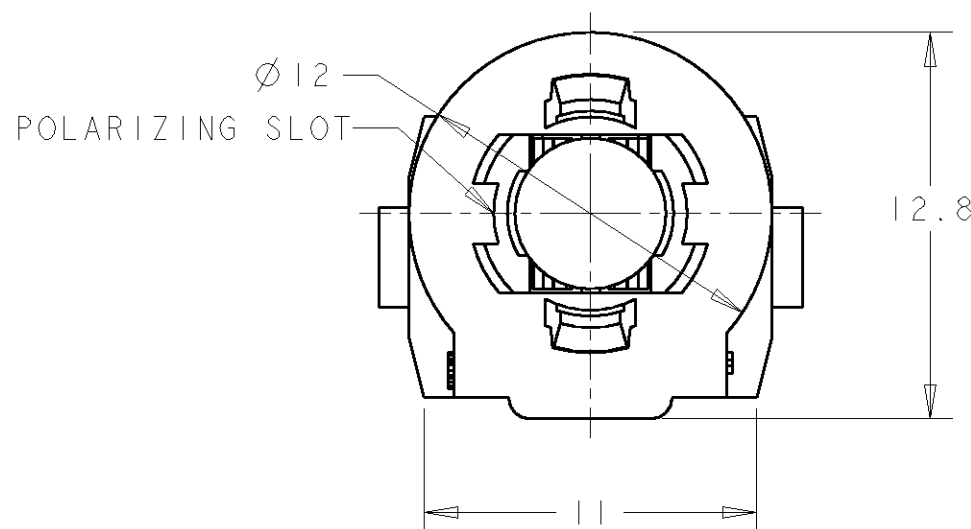
Technical Documents

Product Specification 108-3382

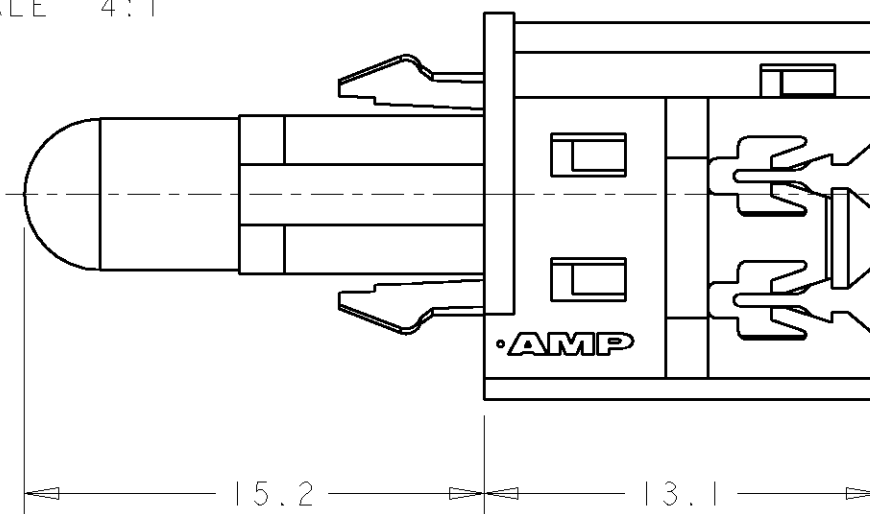
Dimensions in millimetres unless otherwise specified.
Specifications subject to change.

THIS DRAWING IS UNPUBLISHED. RELEASED FOR PUBLICATION 21-FEB-1996
 © COPYRIGHT 1996 BY TYCO ELECTRONICS CORPORATION. ALL RIGHTS RESERVED.

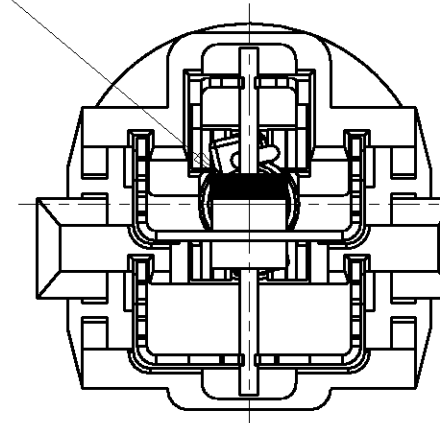
LOC	DIST	REVISIONS			
P	LTR	DESCRIPTION	DATE	DWN	APVD
E	B	D	EB-0061-02	20FEB2002	AJB R.G
		E	EB00-0080-02	01MAR2002	AJB R.G
		F	EB00-0184-03	12MAR2003	PB JA



SCALE 4:1



DIODE MARKER BAND THIS END



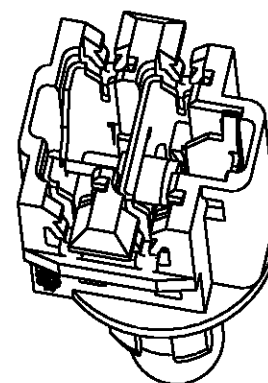
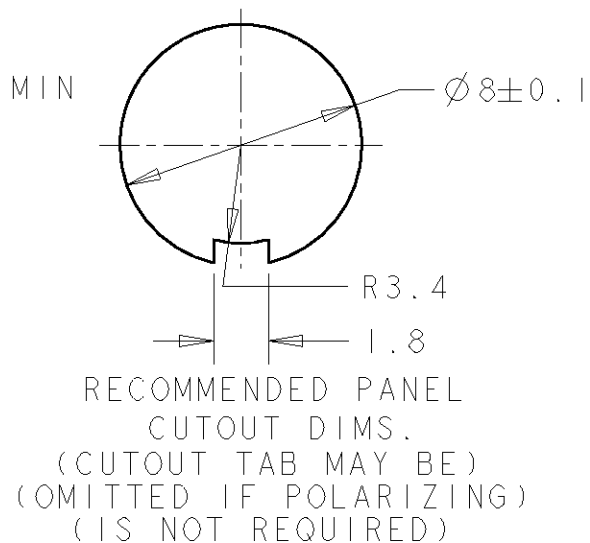
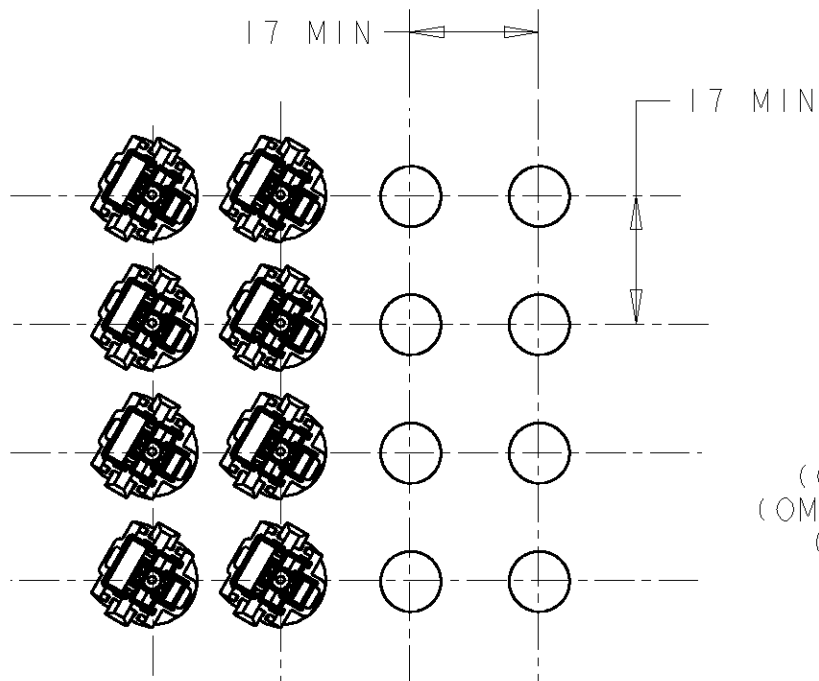
NOMINAL ONLY
(DEPENDS ON BULB DIMS.)

1 MATERIALS
HOUSING :- NYLON 66
CONTACTS :- BRASS

2 AMP PRODUCT SPEC No 108-3382.

3 AMP APPLICATION SPEC No 114-3185.

4 ASSEMBLIES FITTED WITH BULBS NOT SUITABLE FOR USE WITH MULTIPLEXED POWER SOURCE ONLY STRAIGHT DC DRIVEN SUPPLIES.



SCALE 5:2

DESCRIPTION	PART NUMBER
BULBHOLDER WITH CLEAR BULB	9-349494-1
BULBHOLDER WITH AMBER BULB	349494-6
BULBHOLDER WITH GREEN BULB	349494-5
BULBHOLDER WITH BLUE BULB	349494-4
BULBHOLDER WITH RED BULB	349494-3
BULBHOLDER WITHOUT BULB	349494-2
BULBHOLDER WITH CLEAR BULB	349494-1

RECOMMENDED MAXIMUM PANEL DENSITY FOR MANUAL WIRE INSERTION TOOLS. CONSULT AMP FOR PITCHING DIMENSIONS IF USING POWERED TOOLS.
SCALE 1:1
PANEL THICKNESS 1.5 TO 2.0

<small>THIS DRAWING IS A CONTROLLED DOCUMENT FOR TYCO ELECTRONICS CORPORATION IT IS SUBJECT TO CHANGE AND THE CONTROLLING ENGINEERING ORGANIZATION SHOULD BE CONTACTED FOR THE LATEST REVISION.</small>		DWN 20FEB2002 A. J. BEKEN CHK 20FEB2002 R. GOODALL APVD 20FEB2002 R. GOODALL		Tyco Electronics UK Ltd, Stanmore, Middlesex, HA7 4RS.	
DIMENSIONS: mm 		TOLERANCES UNLESS OTHERWISE SPECIFIED: LINEAR ±0.5 0 PLC ±0.1 1 PLC ±0.1 2 PLC ±0.05 3 PLC ± 4 PLC ± ANGLES ±0.5		NAME 5mm IDC BULBHOLDER ASSEMBLY WITH DIODE PRODUCT SPEC 108-3382 APPLICATION SPEC 114-3185 WEIGHT -	
MATERIAL FINISH -		SIZE A3 CAGE CODE 00779 DRAWING NO C-349494 RESTRICTED TO -		CUSTOMER DRAWING SCALE 5:1 SHEET 1 OF 1 REV F	

**APPLICATION
SPECIFICATION****1.0 SCOPE**

- 1.1 This specification covers the requirements for the application of 5mm I.D.C Bulbholders and the termination of wiring in these connectors.

2.0 APPLICABLE MATERIALS.

- 2.1 The following documents form part of the specification: -
- | | |
|------------|--------------------------|
| 108-3382 | Product Specification |
| C349494 | Customer Drawing |
| C349495 | Customer Drawing |
| SP525428-1 | Equipment Specification. |

3.0 APPLICABLE PART NUMBERS.

- 3.1 The following part numbers are covered by this specification
- | | |
|----------|----------------------------|
| 349494-1 | Bulbholder Assembly |
| 349494-2 | Bulbholder Assembly |
| 349495-1 | Bulbholder Assembly |
| 349495-2 | Bulbholder Assembly |
| 525428-5 | Pneumatic Terminating Tool |

4.0 REQUIREMENTS FOR THE APPLICATION OF BULBHOLDER ASSEMBLIES.

- 4.1 This product is designed to be mounted in a panel of thickness 1.5mm minimum to 2.0mm maximum at a spacing as shown on drawings C349494 and C349495.
- 4.2 An optional anti-rotation feature is provided.
- 4.3 The bulbholders are a push fit in the panel, and can be inserted and extracted easily by hand.

5.0 REQUIREMENTS FOR THE TERMINATION OF WIRES IN BULBHOLDER ASSEMBLIES.

- 5.1 This product is designed to be used with PVC covered wire of 1.2mm OD with 7 x 0.2mm diameter conductor strands.
- 5.2 Wires are inserted into the I.D.C slots using pneumatic tool 525428-5.

Revision Summary

REV .1.	Draft Issue	- B.Coolbear
REV .O.	EB00-0635-96 (12 th December 1996)	- B.Coolbear
REV .A.	EB00-0659-96	- B.Coolbear
REV .B.	EB00-0678-99 (16 th March 2000)	- P.Bates
Drawn:- B.Coolbear		Approved:- R.Gandy