



Product Data
For

FARNELL

**Uniset iS /
Varioset iS**

Rittal Uniset iS					
HP	U	Installation depth mm	Model No. UN		Page
			Subrack without integrated Z rails	Subrack with integrated Z rails	
42	3	160	3630.171	—	364/365
42	3	220	3630.231	—	364/365
84	3	160	3630.181	3630.191	364/365
84	3	220	3630.241	3630.251	364/365
84	6	160	3660.181	3660.191	364/365
84	6	220	3660.241	3660.251	364/365

Rittal Uniset iS – the extra stable unit

The die-cast zinc side panels ensure optimum stability, and also stand up to extreme static and dynamic stresses. The special configuration of the side panels also permits the use of special telescopic slides without loss of usable width. What is more, the extensive range of iS accessories offers a wealth of installation options.

Rittal Varioset iS					
HP	U	Installation depth mm	Model No. VS		Page
			Subrack without integrated Z rails	Subrack with integrated Z rails	
84	3	160	3630.261	3630.271	366/367
84	3	220	3630.281	3630.291	366/367
84	3	280	3630.301	3630.311	366/367
84	3	340	3630.361	3630.371	366/367
84	4	220	3640.241	3640.251	368/369
84	4	280	3640.301	3640.311	368/369
84	4	340	3640.361	3640.371	368/369
84	6	160	3660.261	3660.271	366/367
84	6	220	3660.281	3660.291	366/367
84	6	280	3660.301	3660.311	366/367
84	6	340	3660.361	3660.371	366/367
84	7	280	3670.301	3670.311	368/369
84	7	340	3670.361	3670.371	368/369
84	9	340	3690.361	3690.371	366/367
84	9	340	3690.381	3690.391	366/367
84	9	400	3690.401	3690.411	366/367
84	9	400	3690.421	3690.431	366/367

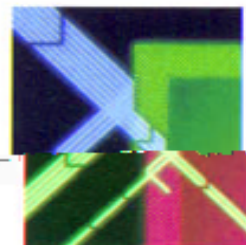
Rittal Varioset iS – unlimited versatility

Where a selection of height and depth variants are required, coupled with mounting variability, Rittal Varioset iS, with aluminium side panels, meets even the most diverse demands. The separate mounting flanges may be mounted at the front and rear for mounting plate assembly. The iS range of accessories can also be used with this system.

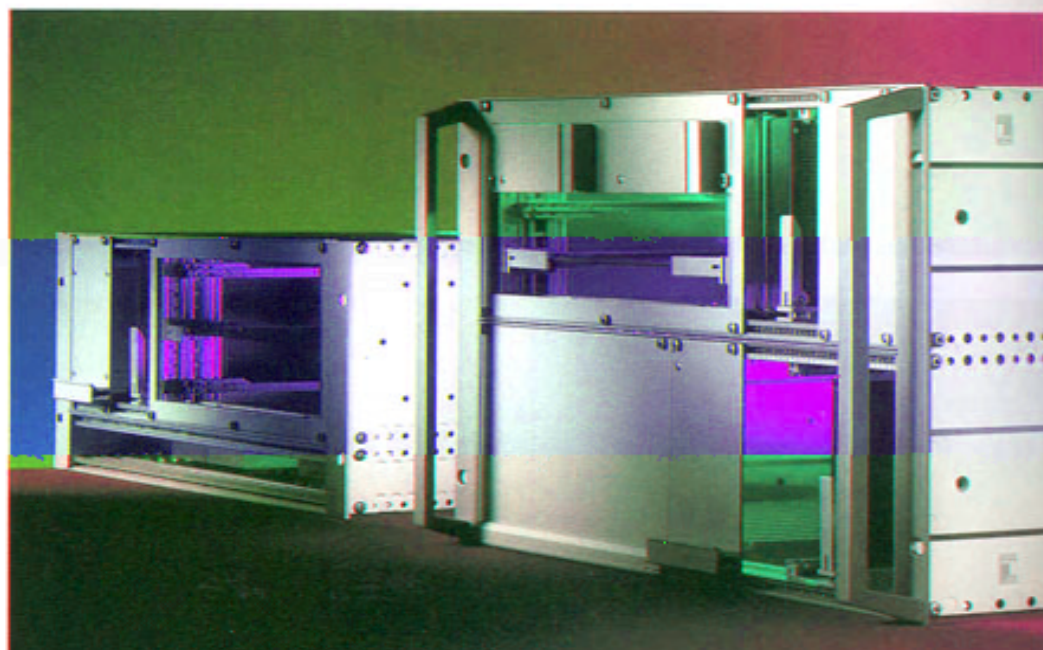
Rittal Varioset PC iS					
Design	Width mm	Height mm	Depth mm	Model No. VS	Page
8 slots	482.6	175	420	3648.420	400/401
12 slots	482.6	175	420	3648.620	400/401

Rittal Varioset PC iS with wide front frame (51 HP)					
Design	Width mm	Height mm	Depth mm	Model No. VS	Page
8 slots	482.6	175	420	3648.430	402/403

Rittal Varioset PC iS, EMC shielded					
Design	Width mm	Height mm	Depth mm	Model No. VS	Page
vented, 8 slots	482.6	175	420	3648.460	258/259
vented, 12 slots	482.6	175	420	3648.660	258/259



Rittal Varioset PC iS, EMC shielded – see page 258/259.



Rittal Uniset *iS*, Rittal Varioset *iS*



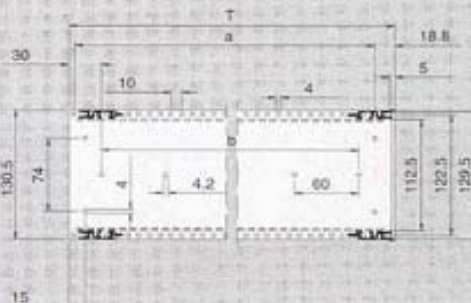
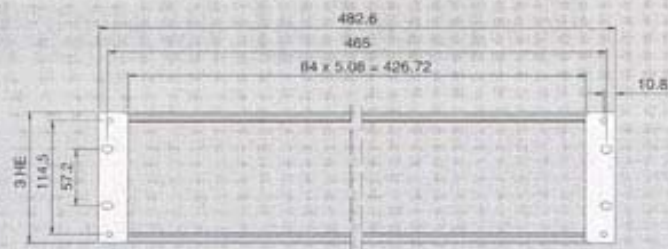
Rittal Varioset *iS*

- 1 Side panels
- 2 Separate mounting flanges
- 3 iS range of accessories

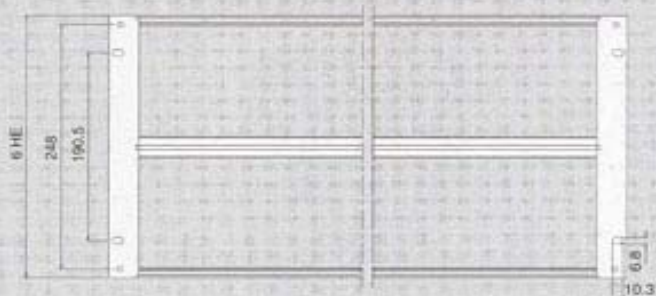
Rittal Uniset *iS*

- 1 Side panels
- 2 Integral mounting flanges
- 3 iS range of accessories

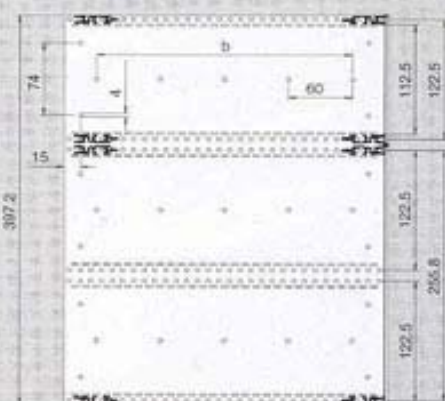
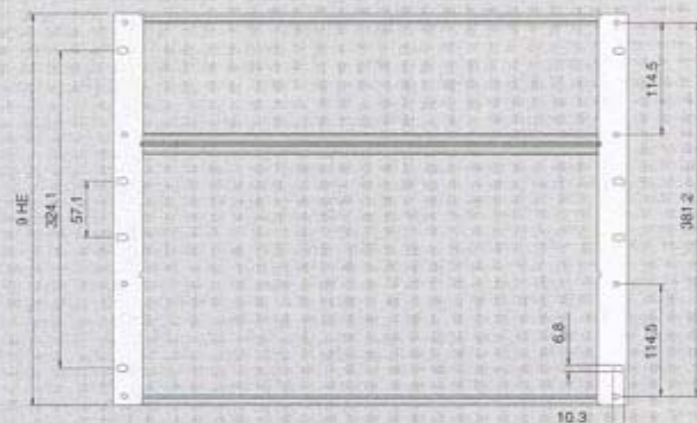
3 U



6 U



9 U



HE = U

	P. of	3 U				6 U				9 U		9 U		P
		160	220	280	340	160	220	280	340	1x3/1x6	3x3	1x3/1x6	3x3	
Installation depth (mm)		160	220	280	340	160	220	280	340	340	340	400	400	
Installation width (HP)		84	84	84	84	84	84	84	84	84	84	84	84	
Model No. VS, without integrated Z rails	1	3630.261	3630.281	3630.301	3630.361	3660.261	3660.281	3660.301	3660.361	3690.361	3690.381	3690.401	3690.421	
Model No. VS, with integrated Z rails	1	3630.271	3630.291	3630.311	3630.371	3660.271	3660.291	3660.311	3660.371	3690.371	3690.391	3690.411	3690.431	
Width (mm)		482.6	482.6	482.6	482.6	482.6	482.6	482.6	482.6	482.6	482.6	482.6	482.6	
Height (mm)		132.5	132.5	132.5	132.5	265.9	265.9	265.9	265.9	399.5	399.5	399.5	399.5	
Depth (T mm)		183.8	243.8	303.8	363.8	183.8	243.8	303.8	363.8	363.8	363.8	423.8	423.8	
a		160	220	280	340	160	220	280	340	340	340	400	400	
b		120	180	240	300	120	180	240	300	300	300	360	360	

* Installation parts for subracks without integrated Z rails should be ordered separately, where the following are used:

Rack connectors DIN 41612	UV	2	3663.941	3663.941	3663.941	3663.941	2 x 3663.941	2 x 3663.941	2 x 3663.941	2 x 3663.941	2 x 3663.941	3 x 3663.941	2 x 3663.941	3 x 3663.941	373
Rack connectors DIN 41617	UV	2	3663.991	3663.991	3663.991	3663.991	2 x 3663.991	2 x 3663.991	2 x 3663.991	2 x 3663.991	2 x 3663.991	3 x 3663.991	2 x 3663.991	3 x 3663.991	373
Backplanes	UV	2	3604.850	3604.850	3604.850	3604.850	2 x 3604.850	2 x 3604.850	2 x 3604.850	2 x 3604.850	2 x 3604.850	3 x 3604.850	2 x 3604.850	3 x 3604.850	373

Accessories for internal installation

Note: Mounting flanges are not included with the subrack supply.

One-piece card guides	UV	10	3606.700	3606.720	-	-	3606.700	3606.720	-	-	-	-	-	-	374
Cross rails/ expansion parts							See iS accessories, page 372 – 379								

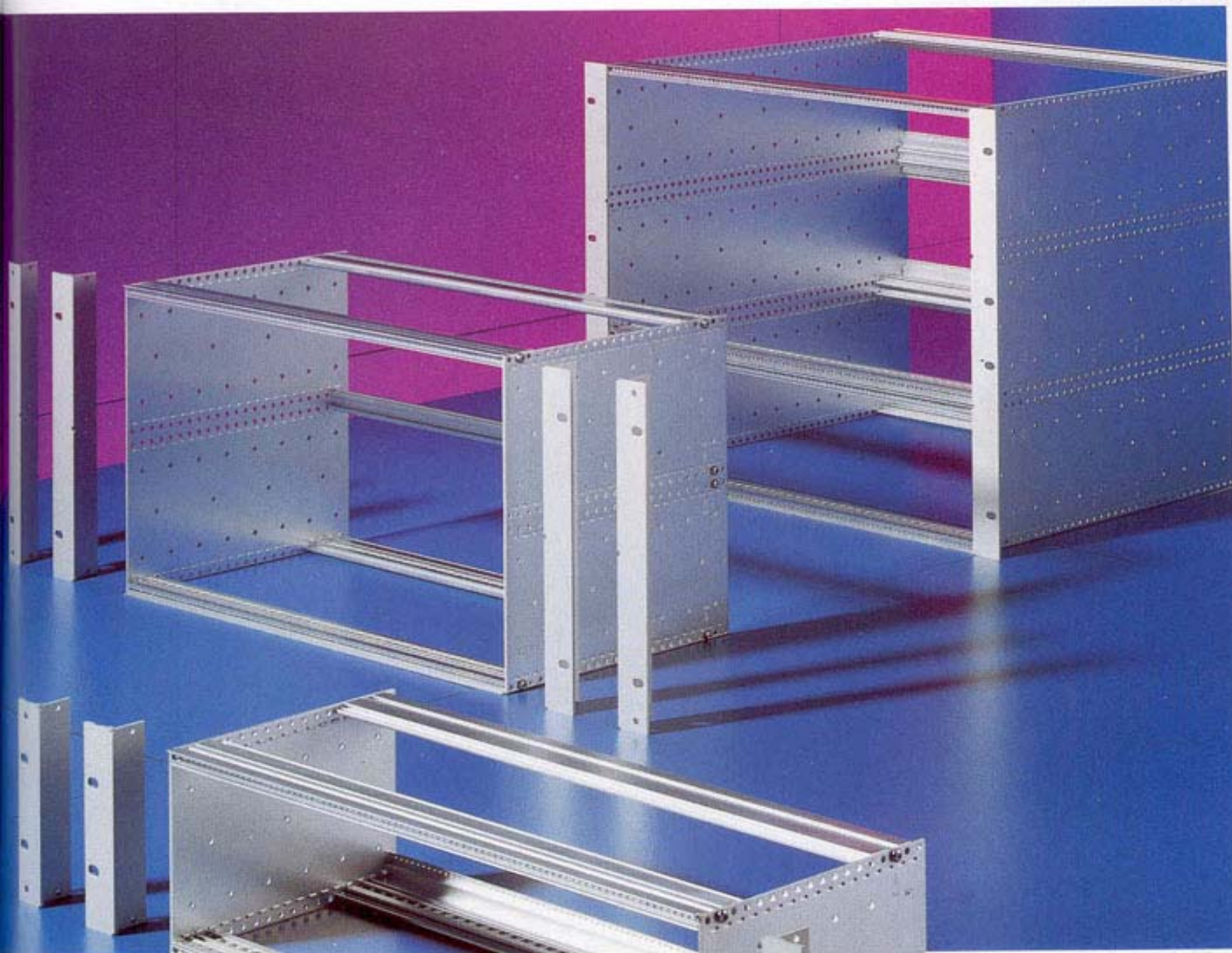
Accessories for external mounting

Mounting flanges – with handle holes	UV	2	3630.110	3630.110	3630.110	3630.110	3660.110	3660.110	3660.110	3660.110	3690.110	3690.110	3690.110	3690.110	371
– without handle holes	UV		3630.100	3630.100	3630.100	3630.100	3660.100	3660.100	3660.100	3660.100	3690.100	3690.100	3690.100	3690.100	
Cover plates – vented	UV	2	3600.300	3600.310	3600.320	3600.330	3600.300	3600.310	3600.320	3600.330	3600.330	3600.330	3600.340	3600.340	378
– unvented	UV		3600.400	3600.410	3600.420	3600.430	3600.400	3600.410	3600.420	3600.430	3600.430	3600.430	3600.440	3600.440	
Handles	UV	2	3636.010	3636.010	3636.010	3636.010	3666.010	3666.010	3666.010	3666.010	3666.010	3666.010	3666.010	3666.010	378
Front panels							See page 318 – 327								
Modules							See page 330 – 337								

For more iS accessories see page 370 – 379 or refer to index, page 824 – 832

Rittal Varioset *IS*

3 U, 6 U, 9 U



Technical specifications:

Installation depth: 160, 220, 280, 340 and 400 mm
Installation width: 84 HP, height: 3 U, 6 U and 9 U to DIN 41 494, part 5

Material:

Side panels: Aluminium, wall thickness 2.5 mm, alochrom
Cross rails: Extruded aluminium section, alochrom (conductive)
Mounting flanges (accessory): Extruded aluminium section, anodised

Subracks without integrated Z rails

For backplanes or female multi-point connectors to DIN 41 612 or 41 617, by using the appropriate accessories.

Supply includes 3 U, 6 U:

2 side panels,
2 cross rails, front
2 cross rails, rear
1 centre cross rail (for 6 U)
4 (6) tapped strips
4 HP strips
8 (12) fixing screws
M4 x 12
2 earth symbols.

Supply includes 9 U:

1 x 3 + 1 x 6 / (3 x 3 U)

2 side panels,
4 (6) cross rails, front
4 (6) cross rails, rear
1 centre cross rail
(for 1 x 3 / 1 x 6 U),
10 (12) tapped strips
8 (12) HP strips
20 (24) fixing screws
M4 x 12
2 earth symbols.

Subracks with integrated Z rails

For female multi-point connectors to DIN 41 612.
Rear cross rails and centre cross rails with integrated Z rails.

Supply includes 3 U, 6 U:

2 side panels,
2 cross rails, front
2 cross rails, rear
1 centre cross rail (for 6 U)
2 (4) tapped strips
4 HP strips
8 (12) fixing screws
M4 x 12,
2 earth symbols.

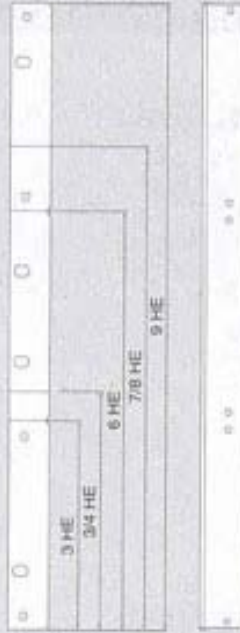
Supply includes 9 U:

1 x 3 + 1 x 6 / (3 x 3 U)

2 side panels,
4 (6) cross rails, front
4 (6) cross rails, rear
1 centre cross rail
(for 1 x 3 / 1 x 6 U)
10 (12) tapped strips
8 (12) HP strips
20 (24) fixing screws
M4 x 12,
2 earth symbols.



Customised designs (assembly, finish, special sizes) available on request.



HE = U

Mounting flanges, 482.6 mm (19") for Rittal Varioset *iS*

For front or rear fitting (e.g. for mounting plate assembly) to the Varioset side panels.

Material:

2.5 mm aluminium, natural anodised

U	H (mm)	P. of	Model No. UV without handle holes	Model No. UV with handle holes
3	132.5	2	3630.100	3630.110
4	177.0	2	3640.100	3640.110
6	265.9	2	3660.100	3660.110
7	310.4	2	3670.100	3670.110
9	399.2	2	3690.100	3690.110

EL

**ELECTRONIC KOMBI
SYSTEM**

Rittal electronic Kombi system EL

Wall-mounted enclosures 3-part



European patent
no. 0 421 013
with validity for DE, FR,
GB, IT
US patent no. 5,087,104
German registered design
no. M 89 07 077
IR reg. design no. 2 006 041
Jap. design pattern no. 84 42 84
IR reg. design no. DM/016 423
with validity for BE, CH, DE, ES,
FR, LI, LU, NL

Material:
Base box and centre part:
1.5 mm sheet steel
Mounting plate: 2.75 mm sheet
steel, zinc-plated, passivated
Glazed door: Extruded
aluminium section, die-cast
aluminium corner connectors,
4 mm safety glass

Surface finish:
Electrophoretic dipcoat-primed,
textured stove enamel
Enclosure RAL 7032
Door frame RAL 7033

Supply includes:
1 base box
2 cable gland plates
1 glazed door
1 centre part
2 mounting angles,
482.6 mm (19"), fitted
1 mounting plate supplied
loose
Assembly parts.

Accessories
see page 250/

Approvals:

- UL
- CSA
- TÜV
- Germanischer Lloyd
- Norske Veritas
- Russian Maritime
- Register of Shipping
- Lloyds Register of Shipping
- VDE



Product category:

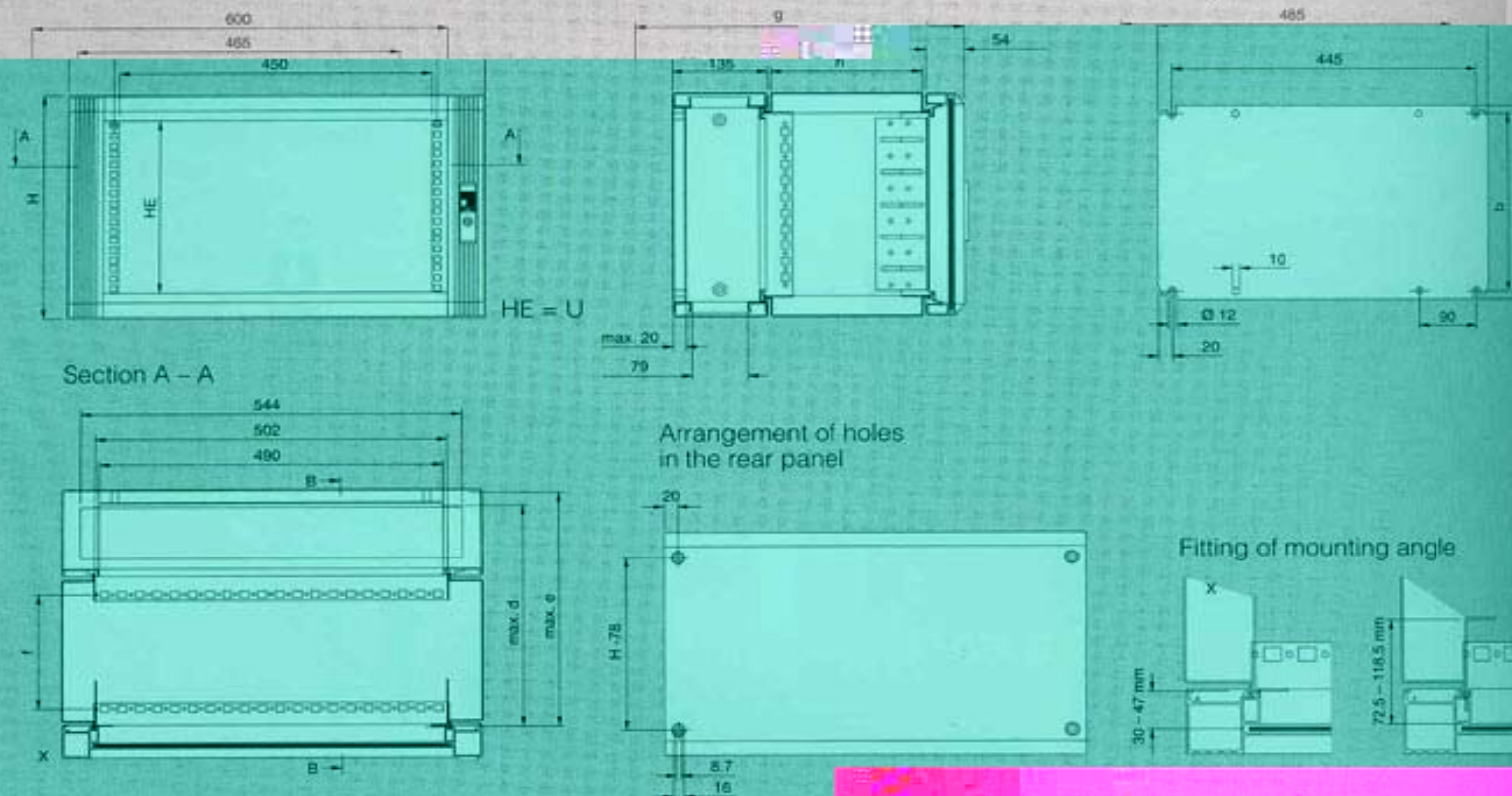
- EMC version
- Special sizes and colours
available on request

Gland plate

With cutouts for
PG components
Model No. see page 251

Blanking plates

in various heights, horizon-
tally or vertically hinged.
Model No. see page 343



U	P of	Enclosure depth 415 mm						Enclosure depth 515 mm						Page	
		3 U	6 U	9 U	12 U	15 U	18 U	21 U	3 U	6 U	9 U	12 U	15 U		18 U
Enclosure Model No. EL	1	2243.600	2246.600	2249.600	2252.600	2255.600	2258.600	2261.600	2253.600	2256.600	2259.600	2262.600	2265.600	2268.600	2271.600
W (mm)		600	600	600	600	600	600	600	600	600	600	600	600	600	600
H (mm)		212	345	478	612	746	878	1012	212	345	478	612	746	878	1012
b (mm)		141	274	407	541	674	807	941	141	274	407	541	674	807	941
c (mm)		165	299	432	565	699	832	965	165	299	432	565	699	832	965
d (mm)		342	342	342	342	342	342	342	442	442	442	442	442	442	442
e (mm)		360	360	360	360	360	360	360	460	460	460	460	460	460	460
f (mm)		175	175	175	175	175	175	175	275	275	275	275	275	275	275
g (mm)		415	415	415	415	415	415	415	515	515	515	515	515	515	515
h (mm)		216	216	216	216	216	216	216	316	316	316	316	316	316	316
Load capacity, hinged part		15 kg	30 kg	45 kg	60 kg	75 kg	75 kg	75 kg	15 kg	30 kg	45 kg	60 kg	75 kg	75 kg	75 kg

Accessories for external fitting

Wall fixing bracket SZ - 10 mm distance	1	2508.000	2508.000	2508.000	2508.000	2508.000	2508.000	2508.000	2508.000	2508.000	2508.000	2508.000	2508.000	2508.000	2508.000	25
- 40 mm distance	1	2503.000	2503.000	2503.000	2503.000	2503.000	2503.000	2503.000	2503.000	2503.000	2503.000	2503.000	2503.000	2503.000	2503.000	25
Ergoform Mini EL	1	2242.000	2242.000	2242.000	2242.000	2242.000	2242.000	2242.000	2242.000	2242.000	2242.000	2242.000	2242.000	2242.000	2242.000	25
Lock inserts SZ Ergoform Mini - no. 3524 E	1	2467.000	2467.000	2467.000	2467.000	2467.000	2467.000	2467.000	2467.000	2467.000	2467.000	2467.000	2467.000	2467.000	2467.000	25
- push-button with no. 2123	1	2469.000	2469.000	2469.000	2469.000	2469.000	2469.000	2469.000	2469.000	2469.000	2469.000	2469.000	2469.000	2469.000	2469.000	25
Cable gland plate DK/EL - with brush insert	1	7705.000	7705.000	7705.000	7705.000	7705.000	7705.000	7705.000	7705.000	7705.000	7705.000	7705.000	7705.000	7705.000	7705.000	25
- for PG segments	1	2235.000	2235.000	2235.000	2235.000	2235.000	2235.000	2235.000	2235.000	2235.000	2235.000	2235.000	2235.000	2235.000	2235.000	25
PG segments	5	See accessories page 251														

Accessories for interior installation

Slide rails EL	10	2240.000	2240.000	2240.000	2240.000	2240.000	2240.000	2240.000	2250.000	2250.000	2250.000	2250.000	2250.000	2250.000	2250.000	25
C rails EL	4	2238.000	2238.000	2238.000	2238.000	2238.000	2238.000	2238.000	2239.000	2239.000	2239.000	2239.000	2239.000	2239.000	2239.000	25
Blanking plates	3	See page 343														

For more EL accessories, please see page 250/251

WALL MOUNTING



Pole clamp

For reliable, convenient fastening to round or square poles.

For pole diameter/size:
 Ø from 40 up to 190 mm
 □ from 50 up to 150 mm

Material:

Cross rails, clamping section:
 Sheet steel, zinc-plated
 Clamping strap:
 Stainless steel 1.4301 (V2A)

	Model No. SZ
Pole clamp	2584.000

German patent no. 36 10 152

Supply includes:

2 cross rails, 600 mm long,
 4 clamping sections,
 2 clamping straps,
 4 clamping brackets,
 4 screws and M8 nuts
 for mounting on the enclosure.

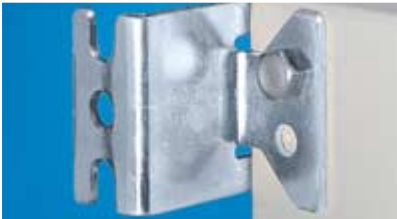


Wall mounting bracket

For fastening KL, EB, BG enclosures, including assembly parts on the enclosure.

Material	Wall distance	Packs of	Model No. KL
Brass, nickel-plated	8 mm	4	1580.000
Sheet steel, zinc-plated & passivated	8 mm	4	1590.000

See drawing A for dimensions



Wall bracket

For all KL, EB, BG, AE and EL enclosures, as well as DK/FM/QR wall-mounted distributors (except stainless steel).
 For quick, secure wall mounting using the rear holes in the enclosure.
 40 mm distance from the wall permits cable routing behind the enclosure to the gland plate.

Wall distance dimension A	Packs of	Model No. SZ
40 mm	1	2503.000
10 mm	1	2508.000

See drawing B for dimensions

Material:

Steel, passivated



Wall bracket for KS

For fastening to the wall, only possible from the outside of the enclosure.

To fit all types,
 including assembly parts.

Packs of	Model No. KS
4	1483.000

See drawing C for dimensions

Material:

Fibreglass-reinforced polyamide

Colour:

Similar to RAL 7032



Wall mounting bracket, stainless steel

For fastening KL, EB, BG and AE enclosures.

Material:

Stainless steel 1.4301 (V2A)

Wall distance	Packs of	Model No. KL
8 mm	4	1594.000

See drawing A for dimensions



Wall bracket, stainless steel

For fastening KL, EB, BG, AE and EL enclosures.

Material:

Stainless steel 1.4301 (V2A)

Wall distance Dimension A	P. of	Model No. SZ
10 mm	4	2433.000

See drawing B for dimensions

With stainless steel enclosures, additional holes are required in the rear wall for reasons of hygiene and because of the protection category.

AE

COMPACT
ENCLOSURES

The original – proven a million times over

The highly successful Rittal AE series of compact enclosures has been on the market for over 30 years. A continuously updated and extended range now offers a standard of quality unrivalled in large-scale industrial production. This accounts for its attractive value for money, not to mention excellent design and numerous important, internationally recognised approvals and authorisations.

A choice of 68 different variants with painted surface finish, in stainless steel, EMC shielded, single-door or double-door versions, with glazed door or operating panel, covers every conceivable requirement.

German patent no. P 3812 972
US patent no. 4,951,980
German registered design no. 1MR 371
IR reg. design no. DM/011 876
with validity for BE, CH, ES, FR, IT, LU, NL
European patent no. P 0 349 771
with validity for FR, GB, IT

Compact enclosures
with the following approvals
(except AE with glazed door):

- CSA
- TÜV
- Germanischer Lloyd
- Norske Veritas
- Russian Maritime Register of Shipping
- Lloyds Register of Shipping
- Bureau Veritas
- VDE



AE compact enclosures, sheet steel				
Width mm	Height mm	Depth mm	Model No. AE	Page
200	300	120	1032.600	68/69
200	300	155	1035.600	68/69
300	300	210	1033.600	68/69
300	400	210	1034.600	68/69
380	300	155	1030.600	68/69
380	300	210	1031.600	68/69
380	380	210	1380.600	68/69
380	600	210	1038.600	70/71
380	600	350	1338.600	70/71
400	500	210	1045.600	70/71
500	500	210	1050.600	70/71
500	500	300	1350.600	70/71
500	700	250	1057.600	70/71
600	380	210	1039.600	68/69
600	380	350	1339.600	68/69
600	600	210	1060.600	70/71
600	600	350	1360.600	70/71
600	760	210	1076.600	70/71
600	760	350	1376.600	70/71
600	800	250	1058.600	70/71
600	1000	250	1090.600	70/71
600	1200	300	1260.600	76/77
760	760	210	1077.600	72/73
760	760	300	1073.600	72/73
800	1000	300	1180.600	72/73
800	1200	300	1280.600	76/77
1000	760	210	1100.600	78/79
1000	760	300	1130.600	78/79
1000	1000	300	1110.600	78/79
1000	1200	300	1213.600	80/81
1000	1400	300	1114.600	80/81

AE compact enclosures with glazed door/with operating panel					
Width mm	Height mm	Depth mm	Model No. AE with glazed door	Model No. AE with operating panel	Page
380	300	155	–	1030.680*	74/75
380	300	210	–	1031.680*	74/75
380	380	210	–	1380.680*	74/75
380	600	210	–	1038.680*	74/75
380	600	350	–	1338.680*	74/75
500	500	210	1050.650*	1050.680*	74/75
500	500	300	1350.650*	1350.680*	74/75
600	380	210	1039.650*	1039.680*	74/75
600	380	350	1339.650*	1339.680*	74/75
600	600	210	1060.650*	1060.680*	74/75
600	600	350	1360.650*	1360.680*	74/75
600	760	210	1076.650*	–	74/75
600	760	350	1376.650*	–	74/75

* Extended delivery times

AE compact enclosures, EMC shielded				
Width mm	Height mm	Depth mm	Model No. AE	Page
380	380	210	1380.700	302/303
600	380	210	1039.700	302/303
600	600	210	1060.700	302/303
800	1000	300	1180.700	302/303

AE compact enclosures, stainless steel				
Width mm	Height mm	Depth mm	Model No. AE	Page
200	300	155	1002.600	280/281
300	380	210	1005.600	280/281
380	300	155	1004.600	280/281
380	380	210	1006.600	280/281
380	600	210	1008.600	280/281
500	500	210	1007.600	280/281
500	500	300	1013.600	280/281
600	380	210	1009.600	280/281
600	600	210	1010.600	280/281
600	760	210	1012.600	280/281
760	760	300	1014.600	280/281
800	1000	300	1016.600	280/281
800	1200	300	1017.600	280/281
1000	1000	300	1018.600	280/281
1000	1200	300	1019.600	280/281



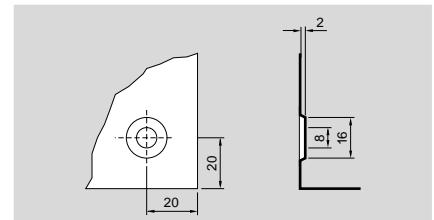
AE compact enclosures, stainless steel – see page 280/281.

AE compact enclosures EMC shielded – see page 302/303.

The alternative materials:

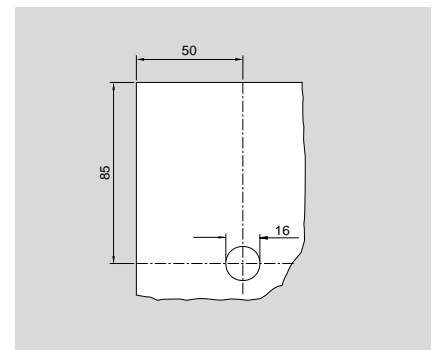
Plastic

- PK see page 32/33
 - KS see page 86/87
- Cast aluminium
- GA see page 40/41



Wall mounting

Wall mounting holes are already provided on the rear (except with AE stainless steel and EMC version).



Eyebolts

All AEs with a height of 1000 mm and above have holes in the roof to accommodate eyebolts (except AE stainless steel and EMC version).



Connection facilities for PE conductors are provided on the enclosure, door and mounting plates.

Punched for interchangeable door hinges in all single-door models, except AE 1032.600 and AE 1035.600.

The prepunched holes for wall mounting brackets in the rear panel eliminate the need for additional marking out and drilling.

1 There are perforated mounting strips vertically spot-welded on both sides of the door, for speedier attachment of cable harnesses, cable ducts, and covers.
(On one side only with AE 1032.600 and AE 1035.600)

2 The foamed-in PU seal ensures a reliable seal.

3 Door opening angle approx. 130°, may be exchanged for 180° hinges SZ 2449.000.

4 An extra-narrow edge fold provides a more generous enclosure opening, which in turn means a larger mounting plate and more usable space with the same sized enclosure.

5 Multifolded enclosure protection channel prevents the ingress of dirt and water when the door is opened.

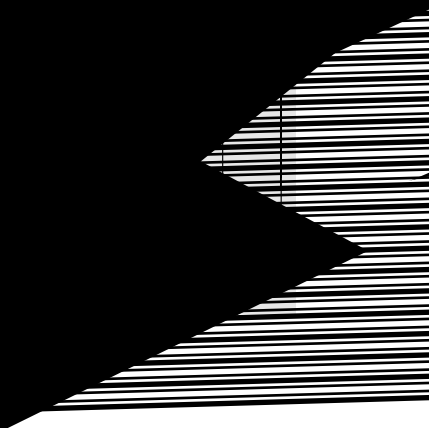
6 Mounting plate is depth-adjustable on studs.

7 The sealed cable gland plates of sheet steel may be exchanged for prepunched plastic gland plates.

8 Enclosure folded from a single piece.

9 Electrophoretic dipcoat priming and textured powder coating in RAL 7032.

10 The double-bit insert with cam lock or locking rod is easily exchanged for any standard lock insert.



COMPACT ENCLOSURES AE

Width: 200 – 600, height: 300 – 400



+ Accessories:

See page 876/877 or refer to index.

Material:

Sheet steel
Box: 1.38 mm;
1.25 mm for
AE 1032.600, AE 1035.600
1.50 mm for AE 1339.600
Door: 1.5 mm;
1.75 mm
for AE 1039.600 and
AE 1339.600

Surface finish:

Enclosure and door:
Dipcoat primed and powder
coated in textured RAL 7032
Mounting plate: Zinc-plated

Protection category:

IP 66 to EN 60 529/10.91
Complies with NEMA 12
(AE 1032.600, AE1035.600)
Complies with NEMA 4.
(AE 1030.600, AE 1031.600,
(AE 1380.600, AE 1039.600,
AE 1339.600)



Lock cover

Prepared for padlock or
multiple lock.
Model No. see page 945.



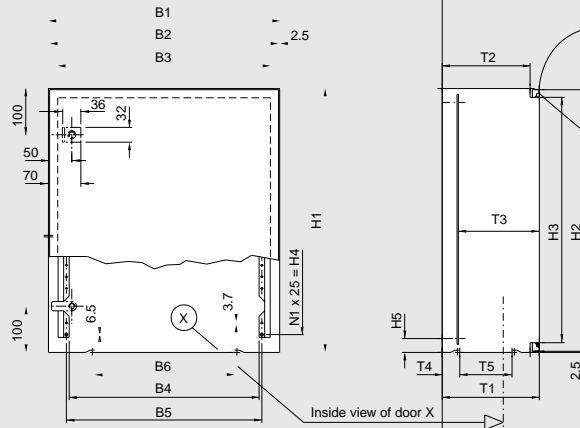
Pole clamp

for round or square poles.
Model No. see page 962.

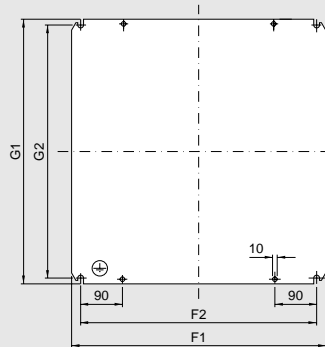


Rain canopy

Required for outdoor siting.
Model No. see page 954.



Mounting plate



Model No.	B2	B3	B4	B5	B6	H2	H3	H4	H5	T2	T3	T4	T5	N1	F1	F2	G1	G2
AE 1038.600	375	340	291	303	303	595	560	525	30	190	168 - 184	33	63	21	334	295	570	545
AE 1338.600	375	340	291	303	303	595	560	525	30	330	308 - 324	84	173	21	334	295	570	545
AE 1045.600	395	360	311	323	303	495	460	425	30	190	168 - 184	38	113	17	354	315	475	450
AE 1050.600	495	460	411	423	303	495	460	425	30	190	168 - 184	38	113	17	449	410	470	445
AE 1350.600	495	460	411	423	303	495	460	425	30	280	258 - 274	38	113	17	449	410	470	445
AE 1057.600	495	460	411	423	303	695	660	625	30	230	208 - 224	38	113	25	449	410	670	645
AE 1060.600	595	560	511	523	500	595	560	525	30	190	168 - 184	38	113	21	549	510	570	545
AE 1360.600	595	560	511	523	500	595	560	525	30	330	308 - 324	38	113	21	549	510	570	545
AE 1076.600	595	560	511	523	500	755	720	675	30	190	168 - 184	38	113	27	549	510	730	705
AE 1376.600	595	560	511	523	500	755	720	675	30	330	308 - 324	38	113	27	549	510	730	705
AE 1058.600	595	560	511	523	500	795	760	725	30	230	208 - 224	38	113	29	549	510	770	745
AE 1090.600	595	560	511	523	500	995	960	925	35	230	208 - 224	38	113	37	539	500	955	930

Supply includes:

Enclosure of all-round solid construction, single door, 1 gland plate in the enclosure base,

r/h door hinge, may be changed to opposite side, with 2 cam locks, foamed-in door sealing gasket, zinc-plated mounting plate.

Width (B1) in mm	Packs of	380	380	400	500	500	500	600	600	600	600	600	600	600	600	600	600	Page
Height (H1) in mm		600	600	500	500	500	700	600	600	760	760	800	1000					
Depth (T1) in mm		210	350	210	210	300	250	210	350	210	350	250	250					
Model No. AE	1	1038.600	1338.600	1045.600	1050.600	1350.600	1057.600	1060.600	1360.600	1076.600	1376.600	1058.600	1090.600					
Mounting plate thickness in mm		2.5	2.5	2.0	2.5	2.5	3.0	2.5	2.5	3.0	3.0	3.0	3.0					
Weight (kg)		15.6	19.4	13.0	16.8	19.6	31.2	22.8	28.4	32.1	36.0	34.2	50.5					

Accessories

Self-tap. screws SZ	300	2487.000															969	
Glazed door FT 34 mm prof. height	1	-	-	-	2733.000	2733.000	-	2731.000	2731.000	2732.000	2732.000	-	-	-	-	-	-	922
Glazed door FT 60 mm prof. height	1	-	-	-	2763.000	2763.000	-	2761.000	2761.000	2762.000	2762.000	-	-	-	-	-	-	922
Oper. panels FT	1	2743.000	2743.000	-	2745.000	2745.000	-	2746.000	2746.000	-	-	-	-	-	-	-	-	922
Plastic cable gland plate SZ	5	2561.000	2562.000	2562.000	2562.000	2562.000	2562.000	2563.000	2563.000	2563.000	2563.000	2563.000	2563.000	2563.000	2563.000	2563.000	2563.000	896
Sheet steel rain canopy SZ	1	2501.200	-	-	-	-	-	2502.200	2511.200	2502.200	2511.200	-	-	-	-	-	-	954

Lock systems

Standard double-bit lock insert may be exchanged for 27 mm lock inserts, type A – see page 942
Safety cylinder, plastic handles and T handles, type B – see page 940 – 943

* Packs of 10

For primed enclosures in RAL 7044, please add extension .800 to the Model No. For textured RAL 7035, use extension .500. Delivery times available on request.

COMPACT ENCLOSURES AE

Width: 380 – 600, height: 500 – 1000



+ **Accessories:**

See page 876/877 or refer to index.

Material:

Sheet steel
 Enclosure: 1.5 mm;
 1.38 mm for AE 1045.600,
 AE 1038.600, AE 1050.600,
 AE 1060.600, AE 1076.600
 Door: 2.0 mm;
 1.5 mm for AE 1045.600,
 1.75 mm for AE 1038.600,
 AE 1338.600, AE 1050.600,
 AE 1350.600, AE 1060.600,
 AE 1360.600

Surface finish:

Enclosure and door:
 Dipcoat primed in RAL 7044,
 powder coated in textured
 RAL 7032 on the outside
 Mounting plate: Zinc-plated

**Protection category
 to EN 60 529/10.91:**

IP 66
 IP 56 for AE 1076.600,
 AE 1376.600, AE 1057.600,
 AE 1058.600, AE 1090.600
 Complies with NEMA 4.



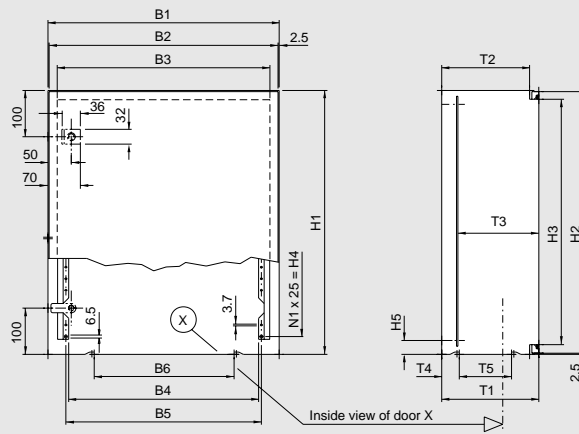
Wall angle also suitable for mounting enclosures with heavy installed equipment.
 Model No. see page 963.



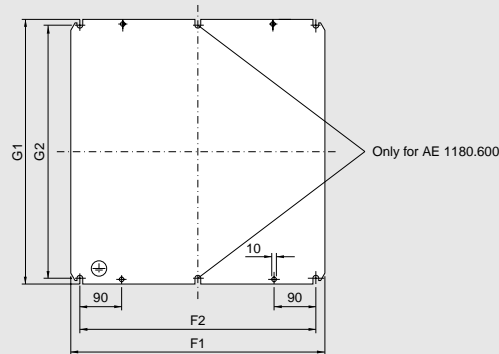
Wall mounting bracket
 For simple mounting directly to the wall.
 Model No. see page 962.



Wall mounting bracket
 Permits cable routing behind the enclosure.
 Model No. see page 962.



Mounting plate



Model No.	B2	B3	B4	B5	B6	H2	H3	H4	H5	T2	T3	T4	T5	N1	F1	F2	G1	G2
AE 1077.600	755	720	671	683	500	755	720	675	30	190	168 – 184	38	113	27	704	665	730	705
AE 1073.600	755	720	671	683	500	755	720	675	30	280	258 – 274	38	113	27	704	665	730	705
AE 1180.600	795	760	711	723	500	995	960	925	35	280	258 – 274	70	113	37	739	700	955	930

Supply includes:

Enclosure of all-round solid construction, single door, 1 gland plate in the enclosure base,

r/h door hinge, may be changed to opposite side, with 2 cam locks, foamed-in door sealing gasket, zinc-plated mounting plate.

Width (B1) in mm	Packs of	760	760	800	Page
Height (H1) in mm		760	760	1000	
Depth (T1) in mm		210	300	300	
Model No. AE	1	1077.600	1073.600	1180.600	
Mounting plate thickness mm		3.0	3.0	3.0	
Weight (kg)		40.0	44.5	57.0	

Accessories

Self-tapping screws SZ	300		2487.000		969
Stainless steel rain canopy SZ	1	–	2474.000	2475.000	954
Plastic cable gland plate SZ	5	2563.000	2563.000	2563.000	896
Swing frame SR	1		2034.200	–	1021

Lock systems

Standard double-bit lock insert may be exchanged for 27 mm lock inserts, type A – see page 942
 Safety cylinder, plastic handles and T handles, type B – see page 940 – 943

For primed enclosures in RAL 7044, please add extension .800 to the Model No. For textured RAL 7035, use extension .500. Delivery times available on request.

COMPACT ENCLOSURES AE

Width: 760/800, height: 760/1000



+ Accessories:

See page 876/877
or refer to index.

Material:

Sheet steel
Enclosure: 1.5 mm
Door: 2.0 mm

Surface finish:

Enclosure and door:
Dipcoat primed in RAL 7044,
powder coated in textured
RAL 7032 on the outside
Mounting plate: Zinc-plated

Protection category to EN 60 529/10.91:

IP 56
Complies with NEMA 4.



Semi-cylinder lock

For retro-fitting to all single-door enclosures with cam lock.
Model No. see page 945.



Universal bracket

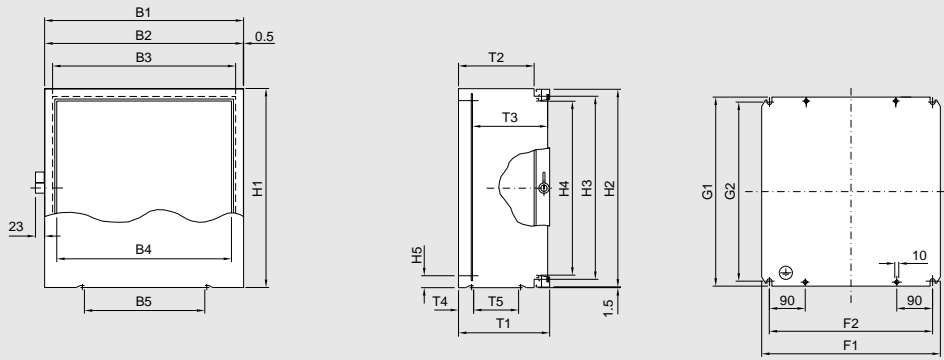
For simple mounting of additional accessories (e.g. cable conduit holders).
Model No. see page 996.



Support strips for AE

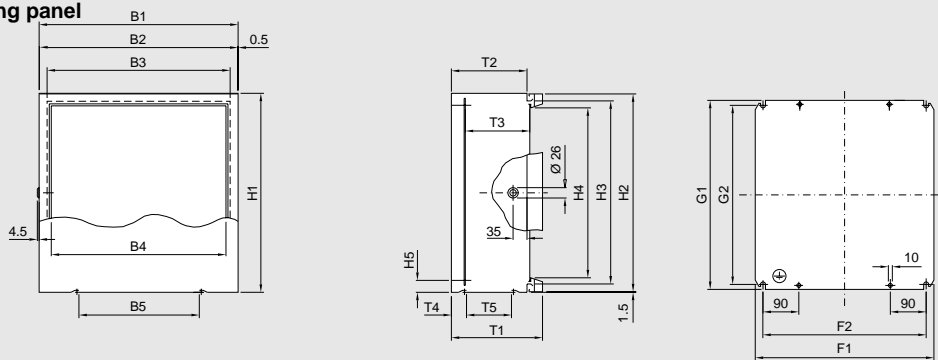
For direct screw-fastening to the vertical perforated mounting strips in AE doors.
Model No. see page 950.

AE with glazed door



Model No.	B2	B3	B4	B5	H2	H3	H4	H5	T2	T3	T4	T5	F1	F2	G1	G2
AE 1050.650	499	460	439	303	497	460	437	30.0	190	182 – 199	38	113	449	410	470	445
AE 1350.650	499	460	439	303	497	460	437	30.0	280	272 – 289	38	113	449	410	470	445
AE 1039.650	599	560	539	500	377	340	317	27.5	190	182 – 199	38	113	549	510	355	330
AE 1339.650	599	560	539	500	377	340	317	27.5	330	322 – 339	38	113	549	510	355	330
AE 1060.650	599	560	539	500	597	560	537	30.0	190	182 – 199	38	113	549	510	570	545
AE 1360.650	599	560	539	500	597	560	537	30.0	330	322 – 339	38	113	549	510	570	545
AE 1076.650	599	560	539	500	757	720	697	30.0	190	182 – 199	38	113	549	510	730	705
AE 1376.650	599	560	539	500	757	720	697	30.0	330	322 – 339	38	113	549	510	730	705

AE with operating panel



Model No.	B2	B3	B4	B5	H2	H3	H4	H5	T2	T3	T4	T5	F1	F2	G1	G2
AE 1030.680	379	340	309	303	297	260	227	27.5	135	99 – 116	33	63	334	295	275	250
AE 1031.680	379	340	309	303	297	260	227	27.5	190	154 – 171	33	63	334	295	275	250
AE 1380.680	379	340	309	303	377	340	307	27.5	190	154 – 171	33	63	334	295	355	330
AE 1038.680	379	340	309	303	597	560	527	30.0	190	154 – 171	33	63	334	295	570	545
AE 1338.680	379	340	309	303	597	560	527	30.0	330	294 – 311	38	113	334	295	570	545
AE 1050.680	499	460	429	303	497	460	427	30.0	190	154 – 171	38	113	449	410	470	445
AE 1350.680	499	460	429	303	497	460	427	30.0	280	244 – 261	38	113	449	410	470	445
AE 1039.680	599	560	529	500	377	340	307	27.5	190	154 – 171	38	113	549	510	355	330
AE 1339.680	599	560	529	500	377	340	307	27.5	330	294 – 311	38	113	549	510	355	330
AE 1060.680	599	560	529	500	597	560	527	30.0	190	154 – 171	38	113	549	510	570	545
AE 1360.680	599	560	529	500	597	560	527	30.0	330	294 – 311	38	113	549	510	570	545

Width (B1) in mm	Packs of	380	380	380	380	380	500	500	600
Height (H1) in mm		300	300	380	600	600	500	500	380
Depth (T1) in mm		174	229	229	229	369	229	319	229
Model No. AE with glazed door	1	–	–	–	–	–	1050.650	1350.650	1039.650
Model No. AE w. operating panel	1	1030.680	1031.680	1380.680	1038.680	1338.680	1050.680	1350.680	1039.680
Mounting plate thickness mm		2.0	2.0	2.0	2.5	2.5	2.5	2.5	2.5

Width (B1) in mm	Packs of	600	600	600	600	600
Height (H1) in mm		380	600	600	760	760
Depth (T1) in mm		369	229	369	229	369
Model No. AE with glazed door	1	1339.650	1060.650	1360.650	1076.650	1376.650
Model No. AE w. operating panel	1	1339.680	1060.680	1360.680	–	–
Mounting plate thickness mm		2.5	2.5	2.5	3.0	3.0

* Extended delivery times

Lock systems

Operating panel: Standard double-bit lock insert may be exchanged for 41 mm inserts, type C, see page 942 and type C plastic handle, see page 940

COMPACT ENCLOSURES AE

with glazed door and operating panel



+ Accessories:

See page 876/877 or refer to index.

Supply includes AE with operating panel:

Enclosure of all-round solid construction, 1 gland plate in the enclosure base, double-bit cam lock in left-hand extrusion, mounting plate: Zinc-plated, r/h hinged aluminium frame, operating panel plate.

Supply includes AE with glazed door:

Enclosure of all-round solid construction, 1 gland plate in the enclosure base, mounting plate: Zinc-plated; With 34 mm glazed door: Aluminium frame,

glazed acrylic pane, hinges, plastic handle with lock insert no. 3524 E.

Material:

Enclosure: Sheet steel
Operating panel: Operating panel plate and frame aluminium
Glazed door: Aluminium frame and glazed acrylic pane

Surface finish:

Enclosure: Dipcoat primed in RAL 7044, powder coated in textured RAL 7032 on the outside
Aluminium parts: Natural anodised
Mounting plate: Zinc-plated

Protection category:
IP 54 to EN 60 529/10.91

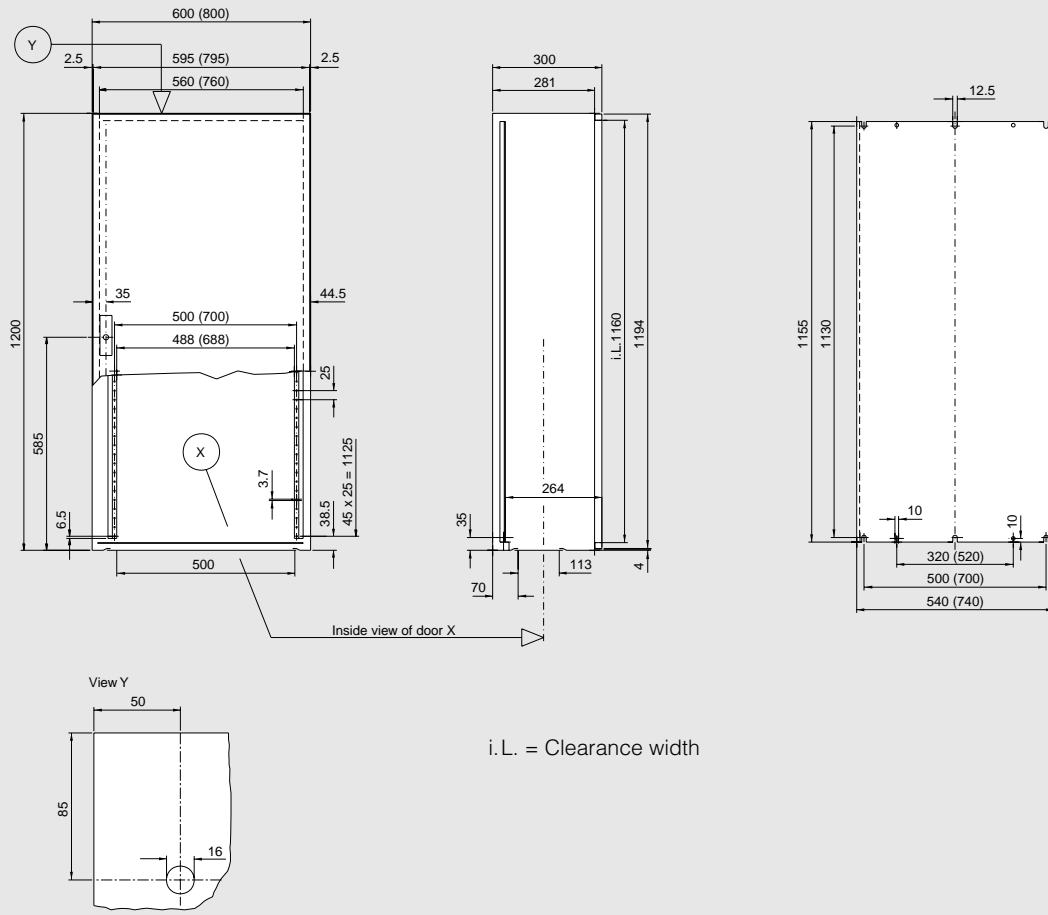


Universal bracket
For simple mounting of various accessory parts.
Model No. see page 996.



Command panel based on AE with VIP frame
see page 230/231.

AE 1260.600 (AE 1280.600)



Supply includes:

Enclosure of all-round solid construction,
 single door,
 1 gland plate in the enclosure base,
 r/h door hinge, can be changed to
 opposite side,
 3-point lock system, prepared for use of
 the Ergoform-S lock system,
 foamed-in door sealing gasket,
 zinc-plated mounting plate.

Note:
 400 mm deep AK enclosures,
 see page 84/85.

Width in mm	Packs of	600	800	Page
Height in mm		1200	1200	
Depth in mm		300	300	
Model No. AE	1	1260.600	1280.600	
Weight (kg)		55.0	70.0	

Accessories

Self-tapping screws SZ	300	2487.000	969
Base/plinth SO	Height 100 mm	2816.200	884
	Height 200 mm	2826.200	884
Rain canopy SZ of stainless steel	1	-	954
Plastic cable gland plate SZ	5	2563.000	896
Eyebolts SZ	4	2509.000	957

Lock systems

Standard double-bit lock insert may be exchanged for 27 mm lock inserts, type A – see page 942
 and Ergoform-S lock system – see page 939

**For primed enclosures in RAL 7044, please add extension .800 to the Model No. For textured RAL 7035, use extension .500.
 Delivery times available on request.**

COMPACT ENCLOSURES AE

Width: 600/800, height: 1200



+ Accessories:

See page 876/877 or refer to index.

Material:

Sheet steel
Enclosure: 1.5 mm
Door: 2.0 mm
Mounting plate: 3.0 mm

Surface finish:

Enclosure and door:
Dipcoat primed in RAL 7044,
powder coated in textured
RAL 7032 on the outside
Mounting plate: Zinc-plated

Protection category:

IP 56 to EN 60529/10.91
Complies with NEMA 12.



Ergoform-S lock system – easy to fit, with interchangeable inserts.
Model No. see page 939.

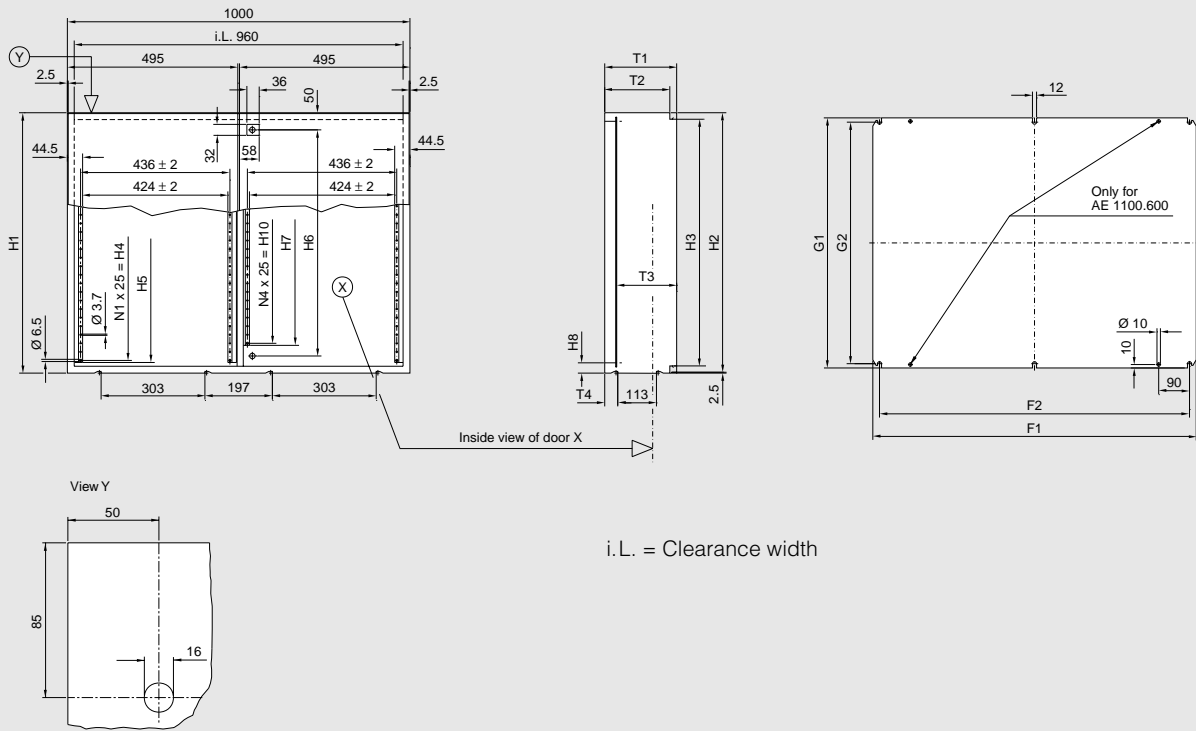


Eyebolts for safe transportation of enclosures, even when populated.
Model No. see page 957.



Base/plinth For cable entry when sitting on the floor.
Model No. see page 884.

AE 1100.600 / AE 1130.600 / AE 1110.600



Model No.	H2	H3	H4	H5	H6	H7	H8	H10	N1	N4	T2	T3	T4	F1	F2	G1	G2
AE 1100.600	755	720	675	698	660	598	30	575	27	23	190	168 – 184	38	944	905	730	705
AE 1130.600	755	720	675	698	660	598	30	575	27	23	280	258 – 274	70	944	905	730	705
AE 1110.600	995	960	925	938	900	838	35	825	37	33	280	258 – 274	70	939	900	955	930

Supply includes:

Enclosure of all-round solid construction,
 double-door,
 2 gland plates in the enclosure base,
 with two cam locks,
 foamed-in door sealing gasket,
 zinc-plated mounting plate.

Width in mm	Packs of	1000	1000	1000	Page
Height (H1) in mm		760	760	1000	
Depth (T1) in mm		210	300	300	
Model No. AE	1	1100.600	1130.600	1110.600	
Weight (kg)		52.0	56.0	71.0	

Accessories

Self-tapping screws SZ	300		2487.000		969
Base/plinth SO	Height 100 mm	1	-	-	2801.200
	Height 200 mm	1	-	-	2802.200
Rain canopy SZ of stainless steel	1	-	2363.000	2363.000	954
Plastic cable gland plate SZ	5	2562.000	2562.000	2562.000	896

Lock systems

Standard double-bit lock insert may be exchanged for 27 mm lock inserts, type A – see page 942

For primed enclosures in RAL 7044, please add extension .800 to the Model No. For textured RAL 7035, use extension .500. Delivery times available on request.

COMPACT ENCLOSURES AE

Width: 1000, height: 760/1000



+ Accessories:

See page 876/877 or refer to index.

Material:

Sheet steel
Enclosure: 1.5 mm
Door: 2.0 mm
Mounting plate: 3.0 mm

Surface finish:

Enclosure and door:
Dipcoat primed in RAL 7044,
powder coated in textured
RAL 7032 on the outside
Mounting plate: Zinc-plated

Protection category:

IP 55 to EN 60529/10.91
Complies with NEMA 12.



System mounting block

For mounting cable ties,
C rails etc.
Model No. see page 996.



Door stay

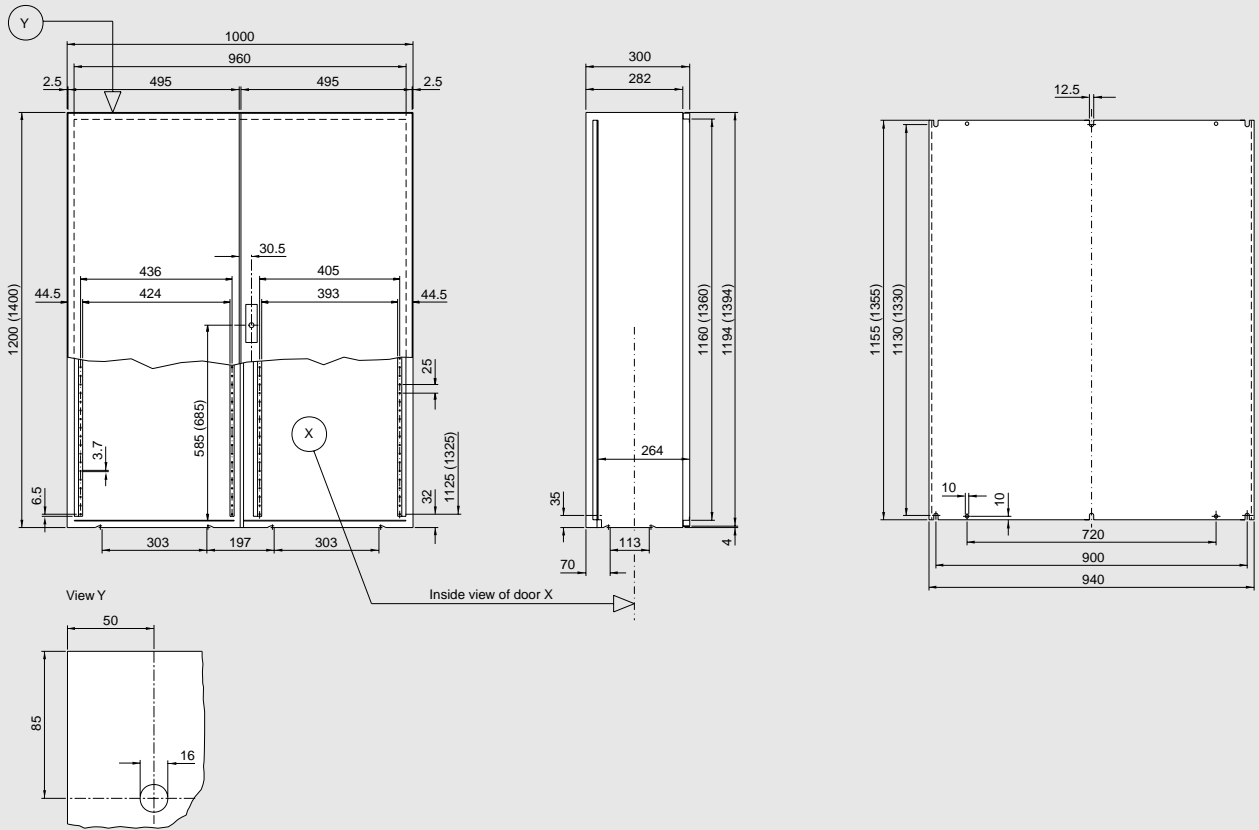
To hold open the door.
Model No. see page 953.



180° hinge

For a wider door opening
angle.
Model No. see page 949.

AE 1213.600 (AE 1114.600)



Supply includes:

Enclosure of all-round solid construction, double-door, 2 gland plates in the enclosure base, 3-point lock system, prepared for use of the Ergoform-S lock system, foamed-in door sealing gasket, zinc-plated mounting plate.

Note:

400 mm deep AK enclosures, see page 84/85.

Width in mm	Packs of	1000	1000	Page
Height in mm		1200	1400	
Depth in mm		300	300	
Model No. AE	1	1213.600	1114.600	
Weight (kg)		85.0	97.0	

Accessories

Self-tapping screws SZ	300	2487.000	969
Base/plinth SO	Height 100 mm	2801.200	884
	Height 200 mm	2802.200	884
Rain canopy SZ of stainless steel	1	2363.000	954
Plastic cable gland plate SZ	5	2562.000	896
Eyebolts SZ	4	2509.000	957

Lock systems

Standard double-bit lock insert may be exchanged for 27 mm lock inserts, type A – see page 942 and Ergoform-S lock system – see page 939

For primed enclosures in RAL 7044, please add extension .800 to the Model No. For textured RAL 7035, use extension .500. Delivery times available on request.

COMPACT ENCLOSURES AE

Width: 1000, height: 1200/1400



+ Accessories:

See page 876/877
or refer to index.

Material:

Sheet steel
Enclosure: 1.5 mm
Door: 2.0 mm
Mounting plate: 3.0 mm

Surface finish:

Enclosure and door:
Dipcoat primed in 7044,
powder coated on the outside
in textured RAL 7032
Mounting plate: Zinc-plated

Protection category:

IP 55 to EN 60 529/10.91
Complies with NEMA 12.



Heater

To prevent condensation
inside the enclosure.
Model No. page 562/563.



Fan-and-filter unit

To assist heat dissipation.
Model No. page 540 – 551.



Heat exchanger

For heat dissipation in
aggressive environments.
Model No. page 520 – 539.

KS

PLASTIC
ENCLOSURES

Plastic enclosures KS

Fully insulated enclosures to VDE 0100, paragraph 6.2, of fibreglass-reinforced, unsaturated polyester, self-extinguishing to ASTM D 635 and UL 94-V0, withstanding temperatures of between -30 °C and +100 °C, dyed light grey throughout, in a shade similar to RAL 7032 to DIN 43 656; suitable for overpainting.

Standard threaded brass inserts M8 x 15 in the rear panel for direct wall mounting of the enclosure from behind or for the use of wall mounting brackets. Press-fitted C rails in the enclosure to accommodate infinitely variable mounting plate adjustment brackets KS 1481.000 and KS 1491.000, allowing you to create several mounting levels. Double seal at the top and bottom edge of the door in all enclosures, thanks to a built-in rain protection strip of hard PVC with co-extruded PVC sealing lip.

German patent no. P 34 40 899
European patent no. P 0 180 825
with validity for BE, FR
US patent no. 4,665,654
Japanese patent no. P 1 659 174

Plastic enclosures KS have the following approvals:

- UL (without viewing window)
- CSA (without viewing window)
- TÜV
- Germanischer Lloyd
- Norske Veritas
- Russian Maritime Register of Shipping
- Lloyds Register of Shipping
- Bureau Veritas
- VDE

Plastic enclosures KS					
Width mm	Height mm	Depth mm	Model No. KS w/o viewing window	Model No. KS w. viewing window	Page
200	300	150	1423.600	–	88/89
250	350	150	1432.600	–	
300	400	200	1434.600	–	
400	400	200	1444.600	1448.600	
400	600	200	1446.600	1449.600	
500	500	300	1453.600	1454.600	
600	600	200	1466.600	1467.600	90/91
600	800	300	1468.600	1469.600	
800	1000	300	1480.600	1479.600	
1000	1000	300	1400.600	–	



Rittal plastic enclosures KS: The alternative for all situations where special protection is required, e.g. for external siting or in aggressive ambient conditions.

Fitted as standard with universal mounting aids, such as press-fitted rows of inserts, in the enclosure and door.



PLASTIC ENCLOSURES KS

Width: 200 – 600, height: 300 – 600



+ **Accessories:**

See page 876/877 or refer to index.

Material:

Enclosure and door:
Fibreglass-reinforced,
unsaturated polyester
Mounting plate:
KS 1423.600 – KS 1434.600:
Sheet steel 2.0 mm
KS 1444.600 – KS 1467.600:
Sheet steel 2.5 mm
For KS with viewing window:
Impact resistant 3.0 mm
glazed acrylic with all-round
rubber cable clamp strip

Surface finish:

Enclosure and door:
No after-treatment as plastic
is dyed similar to RAL 7032
Mounting plate: Zinc-plated

Protection category:

KS without viewing window:
IP 66 to EN 60529/10.91
Complies with NEMA 4x.
KS with viewing window:
IP 56 to EN 60529/10.91
Complies with NEMA 12.



Wall mounting bracket
For simple attachment directly
to the wall.
Model No. see page 962.



Mounting clip
For quick, secure fastening of
cable trunking etc.
Model No. see page 983.



Threaded inserts M6
For simple attachment of
C rails, cable trunking etc.
Model No. see page 996.



1 Press-fitted C rails in the enclosure to accommodate infinitely variable mounting plate adjustment brackets KS 1481.600 and KS 1491.600, allowing you to create several mounting levels.

2 Mounting plate secured on screw-in studs in threaded brass inserts M8 x 12.5, for easy installation and removal.

3 Prepunched guide bushes in the rear wall of the enclosure for drilling without marking out; direct screw-fastening of the enclosures from the front.

4 Fully insulated enclosure of fibreglass-reinforced, unsaturated polyester.

5 Mounting plate of 2 – 3 mm sheet steel, zinc-plated.

6 Door lock with water-proof double-bit 3 mm lock insert to DIN 43 668 of fibreglass-reinforced polyamide. May be exchanged for type E lock inserts, see page 942.

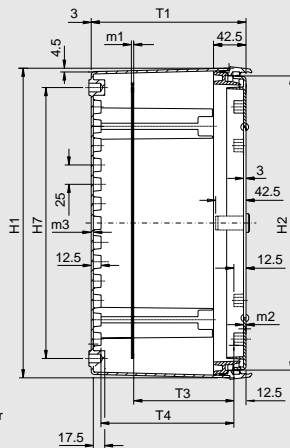
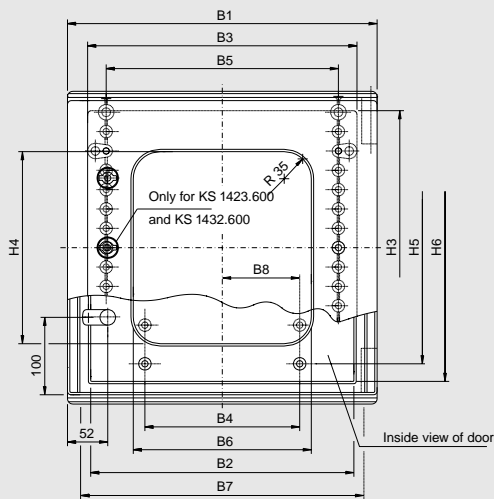
7 Double seal at the top and bottom edges of the door in all enclosures, thanks to a built-in rain protection strip of hard PVC with co-extruded PVC sealing lip.

8 All-round foamed-in PU seal in the moulded U-section of the door.

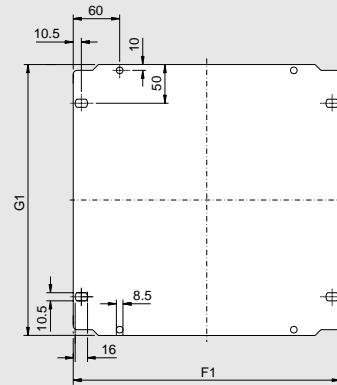
9 Press-fitted mounting inserts in the door and rear panel of the enclosure serve as a mounting aid for attaching cable trunking and cross rails, and for direct screw fastening using threaded inserts.

10 Enclosures with locking rod (see page 90/91) have additional door reinforcement.

11 KS 1400.600 additionally with centre bar in the enclosure, which may be dismantled.



Mounting plate



KS 1423.600 and KS 1432.600 with only one cam lock in the centre

B7 = Separation width for wall fixing hole
H7 = Separation height for wall fixing hole

Model No.	B1	B2	B3	B4	B5	B6*	B7	B8	H1	H2	H3	H4*	H5	H6	H7	T1	T3	T4	m1	m2	m3	F1	G1
KS 1423.600	200	140	150	-	100	-	150	25	300	280	256	-	200	245	250	150	80 - 110/117	119	2.0	3.0	3.0	145	250
KS 1432.600	250	190	200	75	150	-	200	50	350	330	306	-	250	295	300	150	80 - 110/117	119	2.0	3.0	3.0	195	300
KS 1434.600	300	240	249	100	200	-	250	50	400	380	355	-	300	345	350	200	80 - 160/167	169	2.0	3.0	3.0	245	350
KS 1444.600 / KS 1448.600	400	340	348	200	300	230	350	100	400	380	354	250	300	345	350	200	80 - 159/166	168.5	2.5	3.2	3.2	345	350
KS 1446.600 / KS 1449.600	400	340	348	200	300	230	350	100	600	580	554	450	500	545	550	200	80 - 158/165	168	2.5	3.5	3.5	345	550
KS 1466.600 / KS 1467.600	600	540	548	400	500	430	550	200	600	580	554	450	500	545	550	200	80 - 158/165	168	2.5	3.5	3.5	545	550
KS 1453.600 / KS 1454.600	500	440	434	300	400	330	450	150	500	480	454	350	400	445	450	300	80 - 258/265	268	2.5	3.5	3.5	417	450

* Only for enclosures with viewing window

Supply includes:

Enclosure of solid all-round construction, r/h hinge, may be changed to the opposite side by inverting the enclosure (only with single-door models), mounting plate, all-round foamed-in PU seal in the door, double seal, on the top and bottom edges of the door (built-in rain protection strip), press-fitted C rails at the sides for infinitely variable mounting plate adjustment bracket.

	Packs of	without viewing window								with viewing window				Page	
Width (B1) in mm		200	250	300	400	400	500	600	400	400	500	600			
Height (H1) in mm		300	350	400	400	600	500	600	400	600	500	600			
Depth (T1) in mm		150	150	200	200	200	300	200	200	200	300	200			
Model No. KS	1	1423.600	1432.600	1434.600	1444.600	1446.600	1453.600	1466.600	1448.600	1449.600	1454.600	1467.600			
Doors		1	1	1	1	1	1	1	1	1	1	1			
Weight (kg)		3.0	4.1	6.0	7.9	11.5	12.9	15.9	8.0	11.5	13.4	15.9			
Accessories for interior installation															
Mounting plate adjustment brackets KS	4	1481.000					1491.000	1481.000	1481.000	1491.000	1481.000	965			
Self-tapping screws SZ	300	2487.000								2487.000				969	

Lock systems

Standard double-bit lock insert may be exchanged for type E lock inserts, see page 942 and type E plastic handle KS 1484.000 - see page 940

PLASTIC ENCLOSURES KS

Width: 600 – 1000, height: 800 – 1000



+ Accessories:

See page 876/877 or refer to index.

Material:

Enclosure and door:
Fibreglass-reinforced,
unsaturated polyester
Mounting plate:
Sheet steel 3.0 mm
For KS with viewing window:
Impact resistant 3.0 mm
glazed acrylic with all-round
rubber cable clamp strip

Surface finish:

Enclosure and door:
No after-treatment as plastic
is dyed similar to RAL 7032
Mounting plate: Zinc-plated

**Protection category
to EN 60529/10.91:**

IP 66 for KS 1468.600
IP 56 for KS 1400.600,
KS 1469.600, KS 1479.600,
KS 1480.600

Single-door KS without viewing
windows comply with NEMA 4x.
Double-door KS and single-
door KS with viewing window
comply with NEMA 12.



KS lock system
May be exchanged for the
existing double-bit lock insert.
Model No. see page 939.



Pole clamp
For attachment to poles,
independent of floor support.
Model No. see page 962.



Enclosure heater
To prevent condensation.
Model No. see page 562/563.

KL

TERMINAL BOXES

The Rittal range of terminal boxes

offers 44 practical designs, developed and improved in constant dialogue with users. Whether with or without gland plates, in stainless steel, EMC version or simply painted, in 80 mm or 120 mm depth – Rittal has the correct solution for you.

Extremely shallow spot welded profile strips on both sides with mounting holes, partly tapped, ensure maximum installation height, and a facility for installing C rails, top hat rails and mounting plates.

The multi-folded enclosure protection channel provides additional stability and prevents the ingress of dirt and water when the box is opened.

Terminal boxes with gland plates have equal sized gland plate apertures and common mounting holes, making them suitable for buying.

A perfect seal is guaranteed by the highly elastic, all-round, foamed-in PU seal and is easily overpainted. It provides a protection category of IP 66 to EN 60 529/10.91 for solid boxes and IP 55 to EN 60 529/10.91 for boxes with gland plates.

KL terminal boxes have the following approvals:

- UL
- CSA
- TÜV
- Germanischer Lloyd
- Norske Veritas
- Russian Maritime Register of Shipping
- Lloyds Register of Shipping
- Bureau Veritas
- VDE



KL terminal boxes						
Dimensions		Model No. KL without gland plate		Model No. KL with gland plate	Model No. KL stainless steel	
Width mm	Height mm	80 mm depth	120 mm depth	120 mm depth	80 mm depth	120 mm depth
150	150	1514.210	1500.210	–	1521.010	–
200	150	1528.210	1529.210	–	–	–
200	200	1516.210	1502.210	–	1523.010	–
300	150	1515.210	1501.210	1530.210	1522.010	–
300	200	1517.210	1503.210	1531.210	1524.010	–
300	300	–	1507.210	1535.210	–	1526.010
400	150	–	1589.210	–	–	–
400	200	1518.210	1504.210	1532.210	–	1525.010
400	300	–	1508.210	1536.210	–	–
400	400	–	1511.210	1539.210	–	–
500	200	–	1505.210	1533.210	–	–
500	300	–	1509.210	1537.210	–	–
600	200	1519.210	1506.210	1534.210	–	–
600	300	–	1510.210	1538.210	–	–
600	400	–	1512.210	1540.210	–	–
800	200	–	1527.210	1542.210	–	–
800	400	–	1513.210	1541.210	–	–
Page		50/51	52/53	54/55	268/269	

The alternative materials:

Plastic

- PK see page 32/33
- KS see page 86/87

Cast aluminium

- GA see page 40/41

KL terminal boxes, stainless steel see page 268/269.



KL terminal boxes, EMC shielded see page 302/303.



KL terminal boxes, EMC shielded				
Width mm	Height mm	Depth mm	Model No. KL	Page
300	300	120	1507.710	302/303

Accessories



Quick-release fastener

The sturdy quick-release fastener saves time during inspection and maintenance. For installation in the cover hole and enclosure bracket; no drilling required.

Packs of	Model No. KL
12	1593.000

German patent no. P 34 78 561
US patent no. 4,550,852



Cover hinge

The cover hinge is simply screwed to the box protection channel and to the edge fold.

Packs of	Model No. KL
6	1592.000

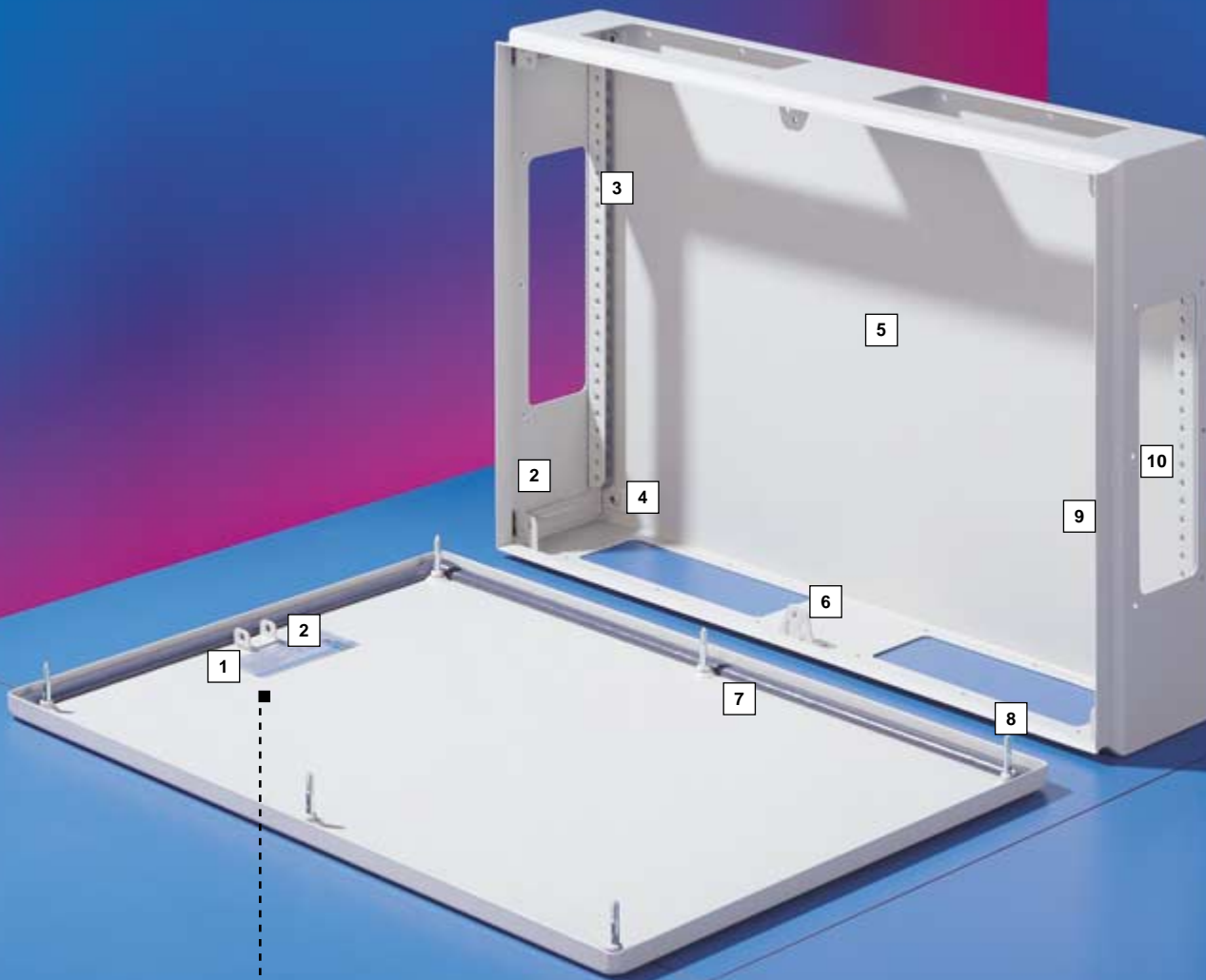
German patent no. P 33 40 491



Cover retainer

The cover retainer is easily fitted without drilling, and allows the covers to be opened upwards, even when the terminal box below is bayed.

Packs of	Model No. KL
3 pairs	1591.000



1 Additional mounting facility for retaining cords – simple and time-saving.

3 Profile strips on both sides with mounting holes, partly tapped, ensure maximum installation height. Facility for installing C rails, top hat rails and mounting plates.

5 Electrophoretic dipcoat priming and powder coating provide reliable surface protection, with uniform coating in all corners and on all edges.

7 Foamed PU seal guarantees perfect sealing. IP 66 to EN 60 529/10.91 for solid boxes, IP 55 to EN 60 529/10.91 for boxes with gland plates.

9 Multi-folded box protection channel provides additional stability and prevents the ingress of dirt and water when the box is opened.

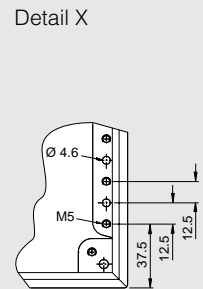
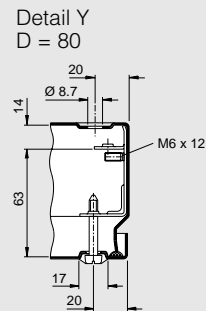
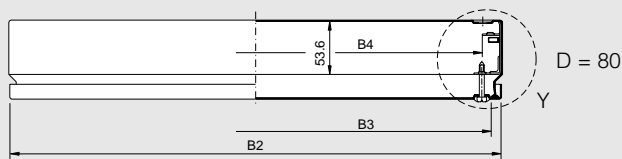
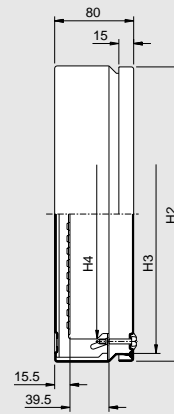
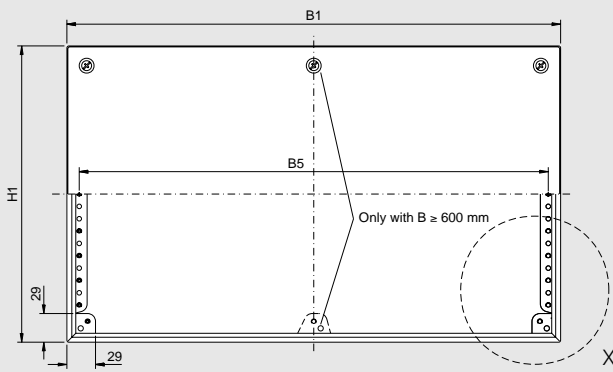
2 Facilities for connecting PE conductors in the cover and box.

4 Holes (except in KL stainless steel) and pre-punchings in the rear panel facilitate direct wall mounting, and also permit the use of wall mounting brackets.

6 Universal mounting level for cover screws, quick-release fastener KL 1593.000 and cover retainer KL 1591.000. No additional drilling required; the protection category is maintained.

8 Special plastic bushes seal the cover screws and guard against accidental loss, whilst at the same time providing positive screwdriver guidance.

10 In terminal boxes with gland plates, equal-sized gland apertures and common attachment holes make them suitable for buying.



KL terminal boxes without gland plate

Width (B1) in mm	Packs of	150	200	200	300	300	400	600	Page
Height (H1) in mm		150	150	200	150	200	200	200	
Depth in mm		80	80	80	80	80	80	80	
Model No. KL	1	1514.210	1528.210	1516.210	1515.210	1517.210	1518.210	1519.210	
B2 = Cover width		148	198	198	298	298	398	598	
B3 = Clearance width of enclosure		132	182	182	282	282	382	582	
B4 = Clearance frame/width between profile strips		109	159	159	259	259	359	559	
B5 = Distance between axes of the mounting holes in the profile strips		125	175	175	275	275	375	575	
H2 = Cover height		148	148	198	148	198	198	198	
H3 = Clearance height of enclosure		132	132	182	132	182	182	182	
H4 = Clearance frame/height between profile strips		100	100	150	100	150	150	150	
Weight (kg)		1.4	1.6	1.9	2.1	2.6	3.2	4.6	

Accessories

Accessories	Quantity	150	200	200	300	300	400	600	Page
Mounting plate KL	1	1560.700	1575.700	1562.700	1561.700	1563.700	1564.700	1566.700	965
Support rail TS 35/7.5 SZ	10	2314.000	2315.000	2315.000	2316.000	2316.000	2317.000	–	983
Support rail TS 35/15 SZ	10	–	–	–	–	–	–	2319.000	983

For primed enclosures in RAL 7044, please add extension .310 to the Model No. For textured RAL 7035, use extension .510. Delivery times available on request.

TERMINAL BOXES KL

without gland plate, depth: 80



+ Accessories:

See page 876/877
or refer to index.

Supply includes:

Box, cover with all-round foamed PU seal and cover screws, incl. plastic bushes.

Material:

Sheet steel
Box: 1.25 mm;
Cover: 1.25 mm

Surface finish:

Box and cover:
Dipcoat primed in RAL 7044,
powder coated in textured
RAL 7032 on the outside

Protection category:

IP 66 to EN 60529/10.91
Complies with NEMA 4.



Wall mounting bracket

For secure attachment of the box to the wall.

Model No. see page 962.



Mounting plate

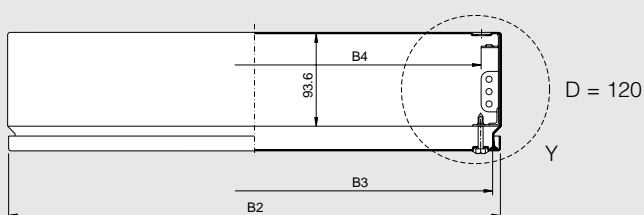
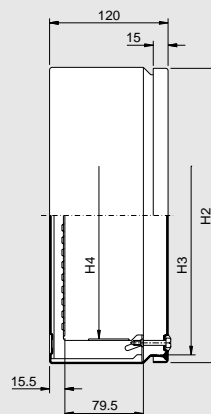
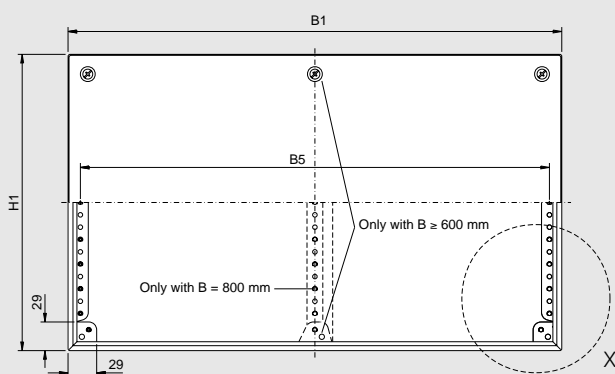
Also allows components to be installed before mounting in the box.

Model No. see page 965.



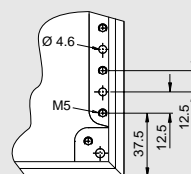
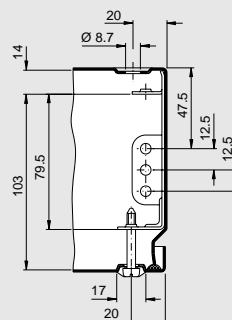
Support rails to accommodate terminal blocks and electrical equipment.

Model No. see page 983.



Detail Y
D = 120

Detail X



KL terminal boxes without gland plate, width 150, 200, 300 and 400 mm

Width (B1) in mm	Packs of	150	200	200	300	300	300	400	400	400	400
Height (H1) in mm		150	150	200	150	200	300	150	200	300	400
Depth in mm		120	120	120	120	120	120	120	120	120	120
Model No. KL	1	1500.210	1529.210	1502.210	1501.210	1503.210	1507.210	1589.210	1504.210	1508.210	1511.210
Mounting plate, see page 965	1	1560.700	1575.700	1562.700	1561.700	1563.700	1567.700	1576.700	1564.700	1568.700	1571.700
B2 = Cover width		148	198	198	298	298	298	398	398	398	398
B3 = Clearance width of enclosure		132	182	182	282	282	282	382	382	382	382
B4 = Clearance frame/width between profile strips		109	159	159	259	259	259	359	359	359	359
B5 = Distance between axes of the mounting holes in the profile strips		125	175	175	275	275	275	375	375	375	375
H2 = Cover height		148	148	198	148	198	298	148	198	298	398
H3 = Clearance height of enclosure		132	132	182	132	182	282	132	182	282	382
H4 = Clearance frame/height between profile strips		100	100	150	100	150	250	100	150	250	350
Weight (kg)		1.6	1.8	2.3	2.6	3.0	4.0	3.2	3.6	4.8	6.2

KL terminal boxes without gland plate, width 500, 600 and 800 mm

Width (B1) in mm	Packs of	500	500	600	600	600	800	800
Height (H1) in mm		200	300	200	300	400	200	400
Depth in mm		120	120	120	120	120	120	120
Model No. KL	1	1505.210	1509.210	1506.210	1510.210	1512.210	1527.210	1513.210
Mounting plate, see page 965	1	1565.700	1569.700	1566.700	1570.700	1572.700	1574.700	1573.700
B2 = Cover width		498	498	598	598	598	798	798
B3 = Clearance width of enclosure		482	482	582	582	582	782	782
B4 = Clearance frame/width between profile strips		459	459	559	559	559	759	759
B5 = Distance between axes of the mounting holes in the profile strips		475	475	575	575	575	775	775
H2 = Cover height		198	298	198	298	398	198	398
H3 = Clearance height of enclosure		182	282	182	282	382	182	382
H4 = Clearance frame/height between profile strips		150	250	150	250	350	150	350
Weight (kg)		4.4	5.8	5.7	6.8	8.4	6.8	11.0

For primed enclosures in RAL 7044, please add extension .310 to the Model No. For textured RAL 7035, use extension .510. Delivery times available on request.

TERMINAL BOXES KL

without gland plate, depth: 120



+ Accessories:

See page 876/877
or refer to index.

Supply includes:

Box, cover with all-round foamed PU seal and cover screws, incl. plastic bushes.

Material:

Sheet steel
Box: 1.25 mm;
1.38 mm with KL 1507.210 to
KL 1513.210
Cover: 1.25 mm

Surface finish:

Box and cover:
Dipcoat primed in RAL 7044,
powder coated in textured
RAL 7032 on the outside

Protection category:

IP 66 to EN 60529/10.91
Complies with NEMA 4.



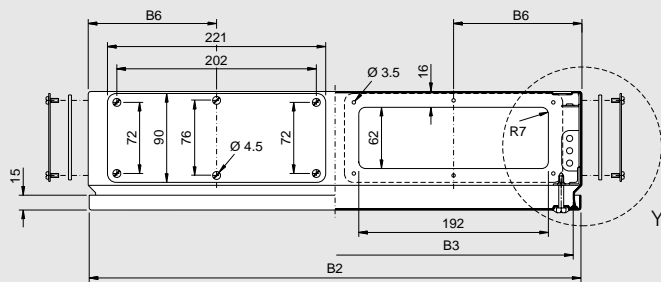
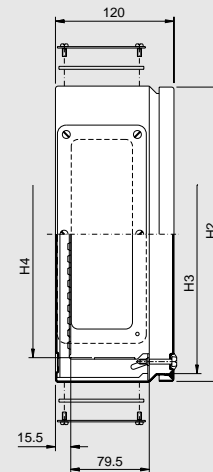
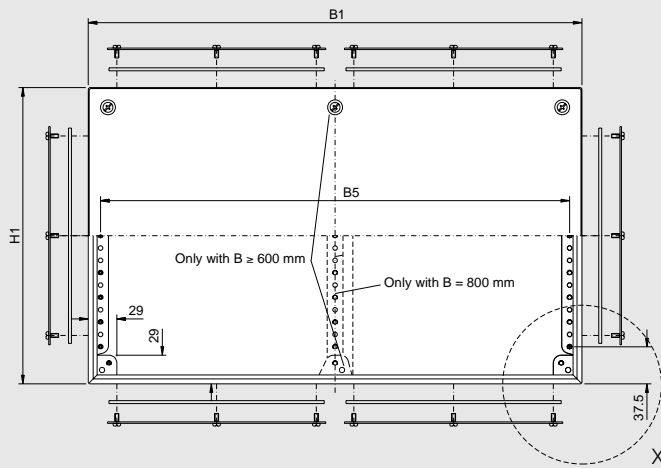
Cable retainer
For individual attachment of
support rails.
Model No. see page 983.



Mounting clip for support
rails. For fastening e.g.
cable ducts.
Model No. see page 983.



Housing coupling
CP 6525.100 for swivel
mounting of the terminal
boxes to the support arm
system. Model No. s. p. 251.



Supply includes:

Boxes with gland apertures, cover with foamed-in special seal and cover screws incl. plastic bushes, sheet steel gland plates with seals and assembly parts.

Detail drawings X and Y
see page 52/53.

KL terminal boxes with gland plate, width 300 and 400 mm

Width (B1) in mm	Packs of	300	300	300	400	400	400
Height (H1) in mm		150	200	300	200	300	400
Depth in mm		120	120	120	120	120	120
Model No. KL	1	1530.210	1531.210	1535.210	1532.210	1536.210	1539.210
Mounting plate, see page 965	1	1561.700	1563.700	1567.700	1564.700	1568.700	1571.700
B2 = Cover width		298	298	298	398	398	398
B3 = Clearance width of enclosure		282	282	282	382	382	382
B5 = Distance between axes of the mounting holes in the profile strips		275	275	275	375	375	375
B6 = Distance from outer edge of enclosure to centre of gland plate		150	150	150	200	200	200
H2 = Cover height		148	198	298	198	298	398
H3 = Clearance height of enclosure		132	182	282	182	282	382
H4 = Clearance frame/height between profile strips		100	150	250	150	250	350
Gland apertures/width (top + bottom)		1 + 1	1 + 1	1 + 1	1 + 1	1 + 1	1 + 1
Gland apertures/height (left + right)		-	-	1 + 1	-	1 + 1	1 + 1
Weight (kg)		2.7	3.3	4.5	4.0	5.2	6.7

KL terminal boxes with gland plate, width 500, 600 and 800 mm

Width (B1) in mm	Packs of	500	500	600	600	600	800	800
Height (H1) in mm		200	300	200	300	400	200	400
Depth in mm		120	120	120	120	120	120	120
Model No. KL	1	1533.210	1537.210	1534.210	1538.210	1540.210	1542.210	1541.210
Mounting plate, see page 965	1	1565.700	1569.700	1566.700	1570.700	1572.700	1574.700	1573.700
B2 = Cover width		498	498	598	598	598	798	798
B3 = Clearance width of enclosure		482	482	582	582	582	782	782
B5 = Distance between axes of the mounting holes in the profile strips		475	475	575	575	575	775	775
B6 = Distance from outer edge of enclosure to centre of gland plate		130	130	150	150	150	150	150
H2 = Cover height		198	298	198	298	398	198	398
H3 = Clearance height of enclosure		182	282	182	282	382	182	382
H4 = Clearance frame/height between profile strips		150	250	150	250	350	150	350
Gland apertures/width (top + bottom)		2 + 2	2 + 2	2 + 2	2 + 2	2 + 2	3 + 3	3 + 3
Gland apertures/height (left + right)		-	1 + 1	-	1 + 1	1 + 1	-	1 + 1
Weight (kg)		4.9	5.2	5.9	7.7	9.0	7.2	12.0

For primed enclosures in RAL 7044, please add extension .310 to the Model No. For textured RAL 7035, use extension .510. Delivery times available on request.

TERMINAL BOXES KL

with gland plate

Terminal boxes KL



+ Accessories:

See page 876/877
or refer to index.

Material:

Box: Sheet steel 1.38 mm;
1.25 mm with KL 1530.210 to
KL 1534.210 and KL 1542.210
Cover: Sheet steel 1.25 mm

Surface finish:

Box and cover:
Dipcoat primed in RAL 7044,
powder coated in textured
RAL 7032 on the outside

Protection category:

IP 55 to EN 60529/10.91
Complies with NEMA 12.



Plastic gland plate
With pre-punched holes for PG
cable glands.
Model No. see page 896.



**Cover hinges and quick-
release fastener**
– the alternative for fast
opening.
Model No. see page 48.



Metal gland plates
With cutout for 16 or 24-pole
connectors.
Model No. see page 896.

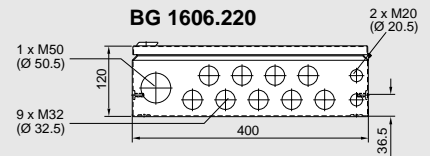
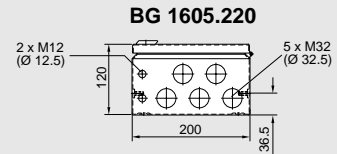
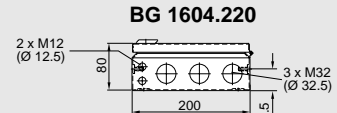
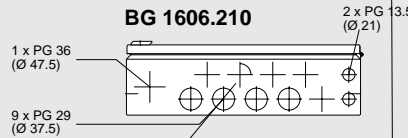
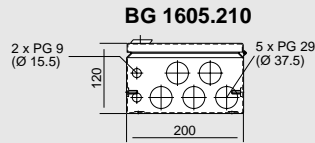
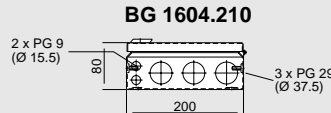
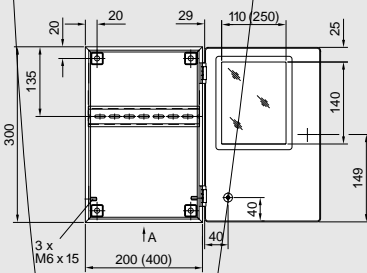


Bus enclosures

- Door hinged on the right.
- 1 cam lock with double-bit insert, may be exchanged for type A lock inserts, page 942 and type B plastic handles, page 940.
- Viewing window, polycarbonate, 4 mm.
- 1 support rail TS 35/7.5.
- Holes for PG or metric screwed cable glands in the base.

Dimensions mm			PG version				Model No.	Metric version				Model No.	
W	H	D	9	13.5	29	36		Number of metric holes					
200	300	80	2	–	3	–	1604.210	M12	2	–	3	–	1604.220
		120	2	–	5	–	1605.210	2	–	–	5	–	1605.220
400			–	2	9	1	1606.210	–	2	–	9	1	1606.220

To order in RAL 7035, please add extension .510 or .520 to the Model No. Delivery times available on request.

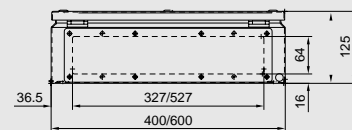
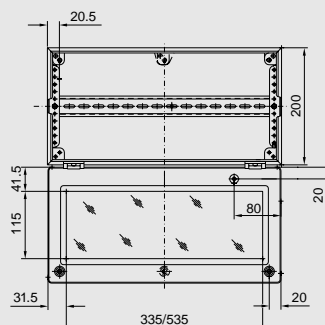


Bus enclosures

- Door hinged at bottom.
- 2 (3) quick-release fasteners for screwdrivers (with BG 1559.210).
- Viewing window, polycarbonate, 4 mm.
- 1 support rail TS 35/7.5.
- 1 gland plate at bottom, holes for PG screwed or metric cable glands in the gland plate or directly in the enclosure available on request.

W	H	D	Model No. BG
400	200	125	1558.210
600			1559.210

To order in RAL 7035, please add extension .510 to the Model No. Delivery times available on request.



i.L. = Clearance width