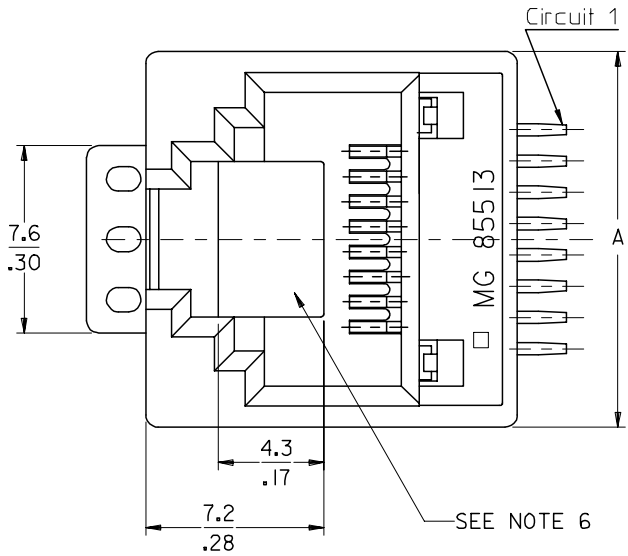
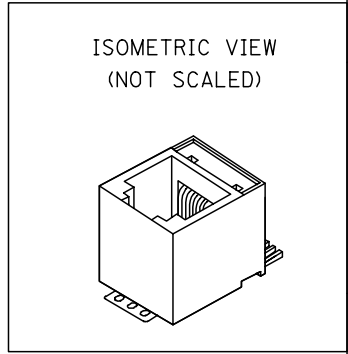
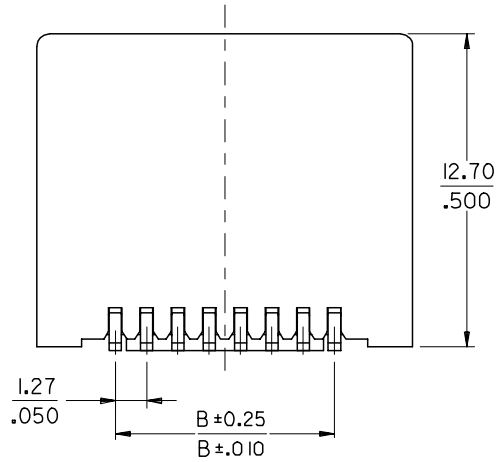
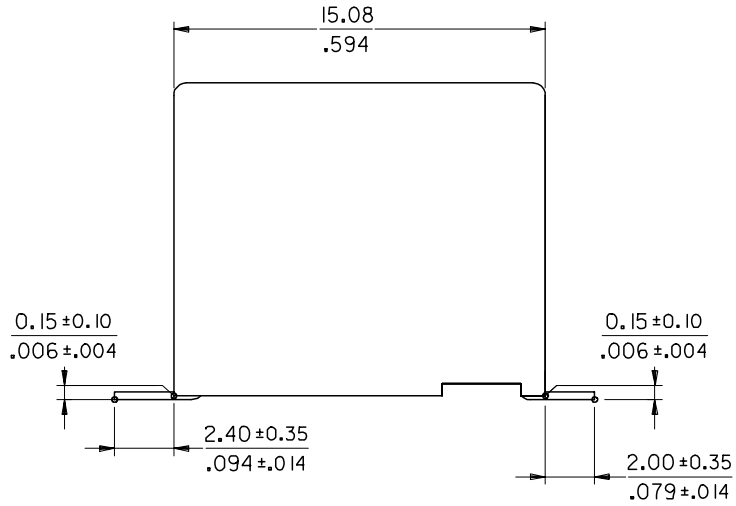


10 9 8 7 6 5 4 3 2 1



NOTES:

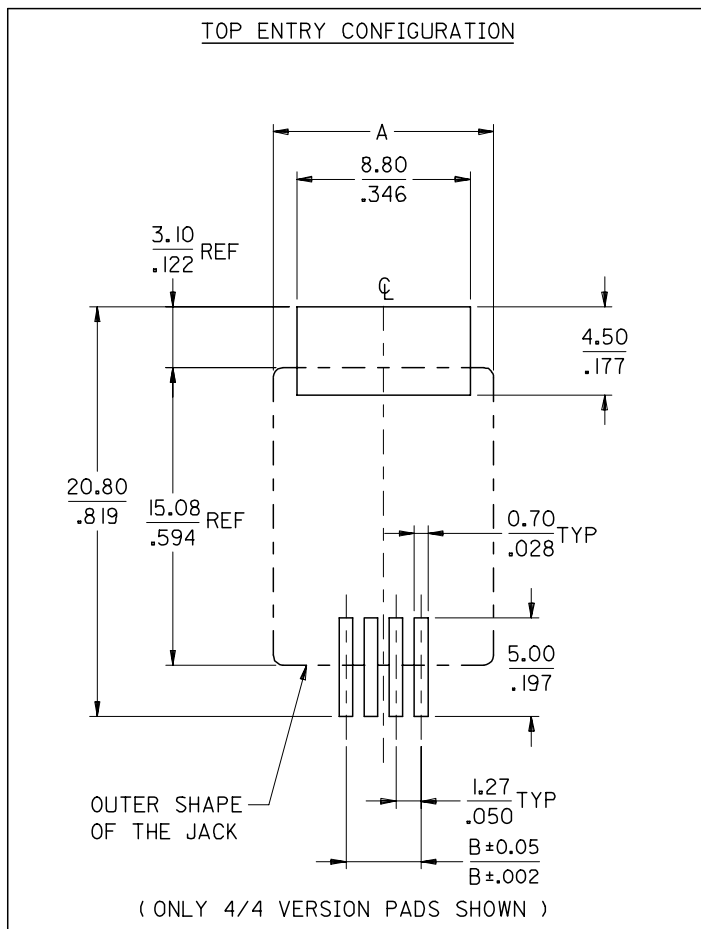
- 1- MATERIAL:
 - HOUSING: POLYAMIDE 46 FIBER GLASS FILLED UL 94-V0, COLOR BLACK.
 - TERMINAL: PHOSPHOR BRONZE PLATED WITH: 0.00127/.000050 MIN GOLD IN CONTACT AREA, 0.00190/.000075 MIN PURE TIN IN TAIL AREA, BOTH OVER 0.00127/.000050 MIN NICKEL OVERALL.
 - SOLDER TAB: BRASS PRE-PLATED WITH 0.0020/.000078 MIN TIN
- 2- JACK FOR MATING WITH F.C.C.68 PLUGS (MOLEX 95075 SERIES).
- 3- PRODUCT SPECIFICATION PS-85513-001.
- 4- APPLICATION SPECIFICATION: AS-95001.
- 5- PACKAGING SPECIFICATION (SEE CHART SHEET 2):
 - PK-85513-001 SHEET 3 (BLISTER ON REEL 13")
 - PK-85513-001 SHEET 1 (BLISTER ON REEL 15")
 - PK-85513-001 SHEET 2 (BLISTER ON REEL 22")
- 6- FLAT SURFACE ON BOTH SIDES FOR PICK & PLACE PURPOSE
- 7- COPLANARITY OF LEADS AND TABS: 0.10/.004 MAX
- 8- SEE RECOMMENDED PCB LAYOUT ON SHEET 2
- 9- FOR DRAWING PURPOSE, ONLY 8/8 VERSION SHOWN



EC NO: MG2005-0151 DRAWN: CEBASTI 2004/10/25 CHKD: FCARABET 2004/10/25 APPR: KNOLLER 2004/11/09	QUALITY SYMBOLS ▽=0 ◻=0	GENERAL TOLERANCES (UNLESS SPECIFIED)		DIMENSION STYLE	SCALE	DESIGN UNITS	THIRD ANGLE PROJECTION	
				MM/IN	5:1	METRIC		
				mm	INCH	DRAWN BY	DATE	TITLE
				4 PLACES ± ---	± ---	FBORDON	99/08/16	LOW PROFILE TOP ENTRY TRUE SMT JACK WITH P&P SURFACE (SHORT VERSION)
		3 PLACES ± ---	± .006	CHECKED BY	DATE	MOLEX INCORPORATED		
		2 PLACES ± 0.15	± .010	MFA SOLD	99/08/24			
		1 PLACE ± 0.25	± ---	APPROVED BY	DATE			
		ANGULAR ± 2 °		FBORDON	99/08/24	DOCUMENT NO.	SHEET NO.	
		DRAFT WHERE APPLICABLE MUST REMAIN WITHIN DIMENSIONS		SEE SHEET 2		SD-85513-001	1 OF 2	
		THIS DRAWING CONTAINS INFORMATION THAT IS PROPRIETARY TO MOLEX INCORPORATED AND SHOULD NOT BE USED WITHOUT WRITTEN PERMISSION						

9 8 7 6 5 4 3 2 1

RECOMMENDED PCB LAYOUTS
(SEE FROM COMPONENT SIDE)



PART. NO.	HOUSING SIZE	LOADED CKTS	TOOLED	A	B	PACKAGING	PACKAGING SPEC.
85513-0013	8	8	YES	15.24 .600	8.89 .350	BLISTER ON REEL 13'	PK-85513-001 SHEET 3
85513-0001			YES			BLISTER ON REEL 15'	PK-85513-001 SHEET 1
85513-0009			YES			BLISTER ON REEL 22'	PK-85513-001 SHEET 2
85513-0014	6	6	YES	13.21 .520	6.35 .250	BLISTER ON REEL 13'	PK-85513-001 SHEET 3
85513-0002			YES			BLISTER ON REEL 15'	PK-85513-001 SHEET 1
85513-0010			YES			BLISTER ON REEL 22'	PK-85513-001 SHEET 2
85513-0015	6	4	YES	13.21 .520	3.81 .150	BLISTER ON REEL 13'	PK-85513-001 SHEET 3
85513-0003			YES			BLISTER ON REEL 15'	PK-85513-001 SHEET 1
85513-0011			YES			BLISTER ON REEL 22'	PK-85513-001 SHEET 2
85513-0016	4	4	YES	11.18 .440	3.81 .150	BLISTER ON REEL 13'	PK-85513-001 SHEET 3
85513-0004			YES			BLISTER ON REEL 15'	PK-85513-001 SHEET 1
85513-0012			YES			BLISTER ON REEL 22'	PK-85513-001 SHEET 2

EC NO: MG2005-0151 DRAWN: CSEBASTI 2004/10/25 CHKD: FCARABET 2004/10/25 APPR: KNOLLER 2004/11/09	QUALITY SYMBOLS ▽=0 ▽=0	GENERAL TOLERANCES (UNLESS SPECIFIED)		DIMENSION STYLE MM/IN	SCALE 4:1	DESIGN UNITS METRIC	THIRD ANGLE PROJECTION			
		4 PLACES ± --- ± ---	3 PLACES ± --- ± .006	2 PLACES ± 0.15 ± .010	1 PLACE ± 0.25 ± ---	ANGULAR ± 2 °	DRAWN BY FBORDON	DATE 99/08/18	TITLE LOW PROFILE TOP ENTRY TRUE SMT JACK WITH P&P SURFACE (SHORT VERSION)	
		DRAFT WHERE APPLICABLE MUST REMAIN WITHIN DIMENSIONS		SEE CHART	MATERIAL NO.		APPROVED BY FBORDON	DATE 99/08/24	DOCUMENT NO. SD-85513-001	SHEET NO. 2 OF 2
		MOLEX INCORPORATED THIS DRAWING CONTAINS INFORMATION THAT IS PROPRIETARY TO MOLEX INCORPORATED AND SHOULD NOT BE USED WITHOUT WRITTEN PERMISSION								