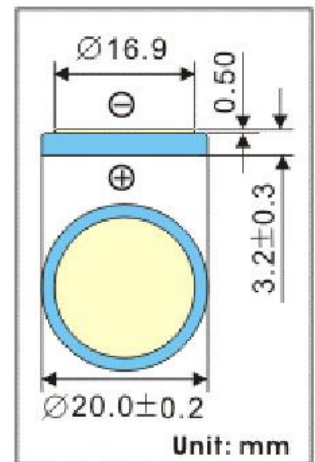
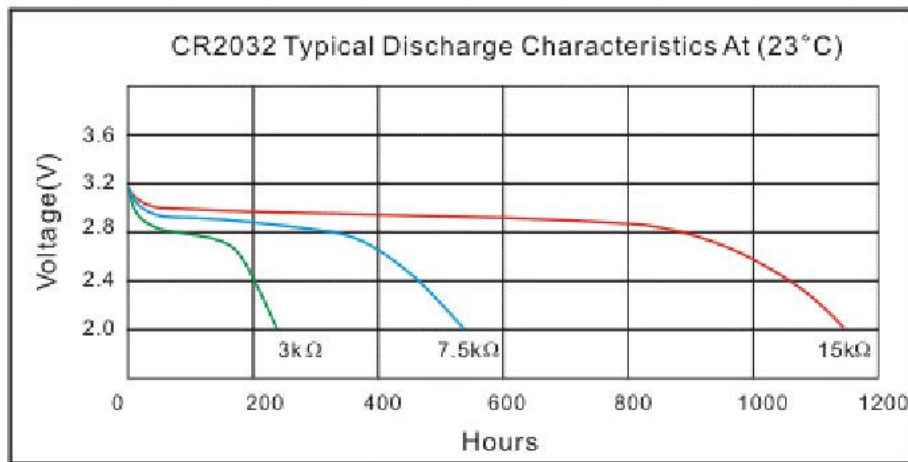


1. BASIC SPECIFICATION:

Model:	CR2032
Nominal Voltage:	3.0 Volts
Nominal Capacity:	210mAh
	(@0.4mA Discharge Current to 2.0V Cut-off, +23 °C)
Standard Discharge Current:	0.4mA
Maximum recommended current under continuous discharge:	3mA
Maximum recommended current under pulse discharge:	15mA
Operational temperature range:	-20 °C ~ +60 °C
Nominal Weight:	3.1g
minimum discharge time at 3kOhm load (E.V. 2,0V):	210h



UNTAGGED BATTERY DIMENSIONS



blister card

dimensions: 50 x 70mm
total weight: approx 5g

	specifications for model/type:	CR 2032 Lithium battery
	Ansmann drawing number / part number:	5020122
	author / date:	Gramlich / 18.03.2008