

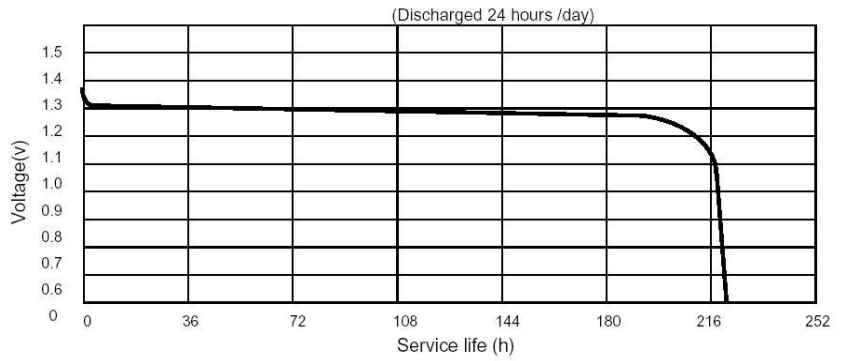
**battery type:** Zinc - air button cell (hearing aid battery)  
**battery size:** A10; PR70  
**chemical system:** Alkaline Zinc - Air

**nominal voltage:** 1,4V **conditions** no load

**capacity rated:** 100mAh **at 3000ohms load; discharge 24h/day; 25°C; RH 60%; End Voltage 0,9V**

**operating time:** min. 185h **ditto.**

**discharge diagram:** DISCHARGE CHARACTERISTICS AT 3KΩ 25°C RH 60%



**Impedance:** ≤ 7ohms **at 1000Hz**

**impulse load voltage:** ≥ 1,1V **measured after 2s load load resistance 270ohms**

**limiting current:** 4mA **at 1,1V**

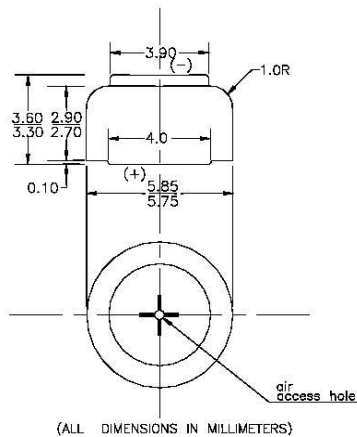
**operating temperature range:** 0...50°C


**recommended storage temperature range:** 5...25°C

**mechanical specifications average weight:** 0,31g

**volume:** 0,08cm³

**dimensions:**



	specifications for model/type:	A10 Zinc Air Battery
	Ansmann drawing number / part number:	5013223
	author / date:	Gramlich / 28.02.2008