

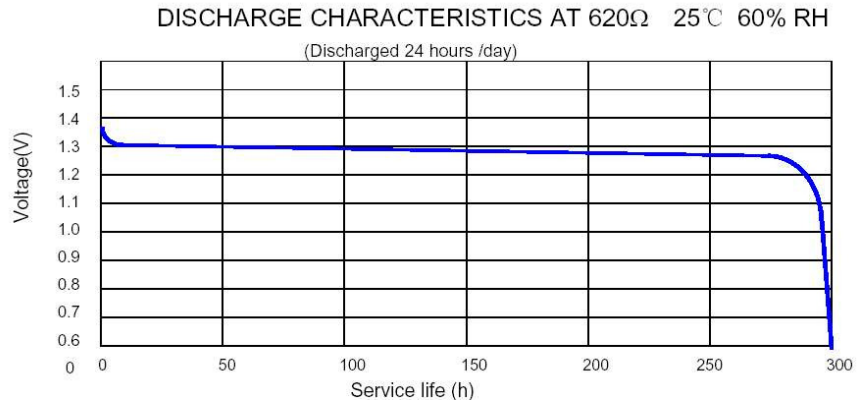
battery type: Zinc - air button cell (hearing aid battery)
battery size: A675; PR44
chemical system: Alkaline Zinc - Air

nominal voltage: 1,4V **conditions**
no load

capacity rated: 630mAh at 620ohms load; discharge 24h/day;
25 °C; RH 60%; End Voltage 0,9V

operating time: min. 265h ditto.

discharge diagram:



Impedance: ≤ 2ohms at 1000Hz

limiting current: 16mA at 1,1V

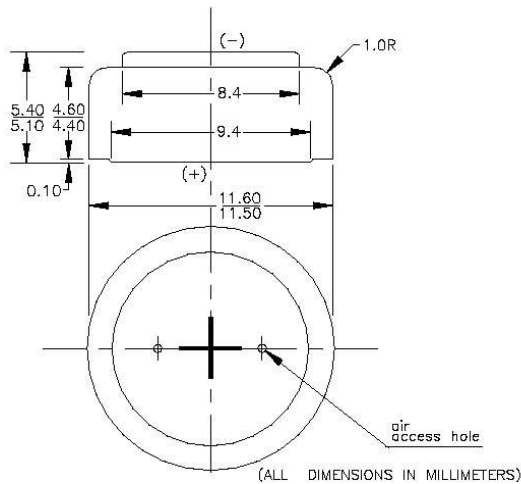
operating temperature range: 0...50°C

recommended storage temperature range: 5...25°C

mechanical specifications
average weight: 1,82g

volume: 0,56cm³

dimensions:



	specifications for model/type:	A675 (PR44) Zinc Air Battery
		V1
	Ansmann drawing number / part number:	5013253
	author / date:	Gramlich / 05.08.2008