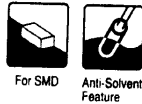


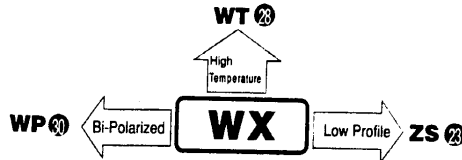
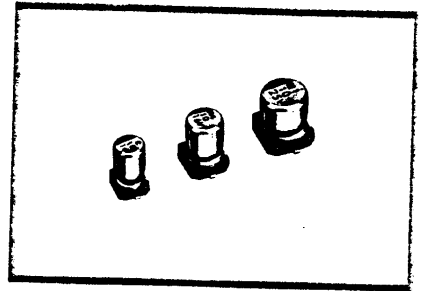
ALUMINUM ELECTROLYTIC CAPACITORS

nichicon

WX 5.5mmL Chip Type series



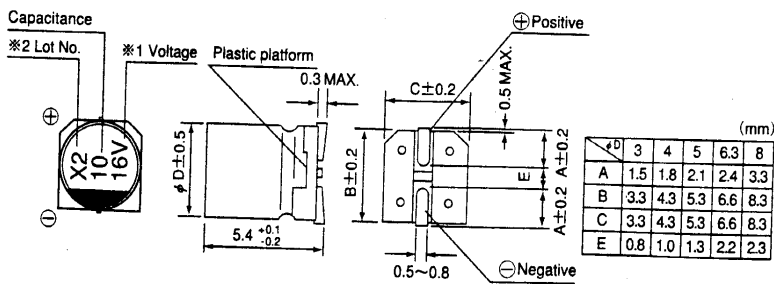
- Chip type with 5.5mm height.
- Designed for surface mounting on high density PC board.
- Applicable to automatic mounting machine using carrier tape.
- Load life of 2000 hours at 85°C.



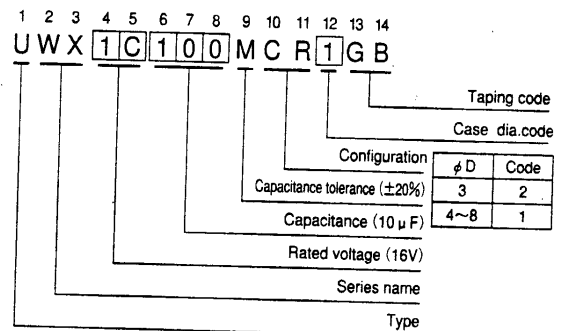
Specifications

Item	Performance Characteristics								
Operating Temperature Range	-40~+85°C								
Voltage Range	4~50V								
Capacitance Range	0.1~330 μF								
Capacitance Tolerance	±20% at 120Hz, 20°C								
Leakage Current	After 2 minutes' application of rated voltage, leakage current is not more than 0.01CV or 3 (μA), whichever is greater.								
tan δ	Measurement frequency : 120Hz, Temperature : 20°C								
	Rated voltage (V)	4	6.3	10	16	25	35	50	Values in () applicable to φ3 case size.
tan δ (MAX.)	0.35(0.40)	0.26(0.30)	0.20(0.24)	0.16(0.19)	0.14(0.16)	0.12(0.14)	0.12(0.14)		
Stability at Low Temperature	Measurement frequency : 120Hz								
	Rated voltage (V)	4	6.3	10	16	25	35	50	
Impedance ratio	Z-25°C/Z+20°C	7	4	3	2	2	2	2	
	ZT/Z20 (MAX.)	Z-40°C/Z+20°C	15	8	8	4	4	3	3
Load Life	After 2000 hours' application of rated voltage at 85°C, capacitors meet the characteristics requirements listed at right.		Capacitance change		Within ±20% of initial value (Within ±25% for 4V and φ3, WR series units)				
			tan δ		200% or less of initial specified value				
		Leakage Current		Initial specified value or less					
Shelf Life	After leaving capacitors under no load at 85°C for 1000 hours, they meet the specified value for load life characteristics listed above.								
Resistance to soldering heat	The capacitors shall be kept on the hot plate maintained at 250°C for 30 seconds. After removing from the hot plate and restored at room temperature, they meet the characteristics requirements listed at right.		Capacitance change		Within ±10% of initial value				
			tan δ		Initial specified value or less				
		Leakage current		Initial specified value or less					
Marking	Black print on the case top.								
Applicable Standards	JIS C 5141 and JIS C 5102.								

Chip Type



Type numbering system (Example : 16V 10 μF)



- *1. Voltage mark for 6.3V is [6V].
In case of marking for φ3 units, "V" for rated voltage is omitted.
- *2. In case of marking for φ3 units, Lot No. is expressed by a digit (month code).

• Dimension table in next page.

ALUMINUM ELECTROLYTIC CAPACITORS

nichicon

WX series

■ Dimensions

Cap. (μF)	Code	V		4		6.3		10		16		25		35		50		
		0G	0J	1A	1C	1E	1V	1H										
0.1	0R1																4(3)	1.0
0.22	R22																4(3)	2.0
0.33	R33																4(3)	2.8
0.47	R47																4(3)	4.0
1	010																4(3)	8.4(8.0)
2.2	2R2														3	8.4	4(3)	13(10)
3.3	3R3														3	10	4	17
4.7	4R7																	
10	100									4(3)	23(18)	●5	27(24)	●5	29(24)	○6.3	33(30)	
22	220	3	19	4(3)	28(21)	●5	33(30)	●5	37(30)	○6.3	42(38)	○6.3	46(39)	□8	52(43)			
33	330	4	28	●5	37(34)	●5	41(34)	○6.3	49(44)	○6.3	52(46)	□8	62(53)	8	71			
47	470	4	33	●5	45(40)	○6.3	52(47)	○6.3	58(52)	□8	70(60)	8	80					
56	560	5	42	○6.3	52(46)	○6.3	57(50)	○6.3	63(57)	□8	76(65)							
100	101	5	56	○6.3	70(47)	○6.3	76(54)	6.3	86	8	110							
150	151	6.3	79	□8	90(71)	□8	111(76)											
220	221	6.3	96	□8	110(74)	8	135											
330	331	8	145	8	170												Case size	Allowable ripple

() is also available with φ3mm upon request.

Allowable Ripple (mA rms) at 85°C 120Hz

Size φ4 is available for capacitors marked. "●"

Size φ5 is available for capacitors marked. "○"

Size φ6.3 is available for capacitors marked. "□"

() : WR series

In such a case, **WR** will be put at 2nd and 3rd digit of type numbering system.

● Frequency coefficient of allowable ripple current

Frequency	50 Hz	120 Hz	300 Hz	1 kHz	10 kHz~
Coefficient	0.70	1.00	1.17	1.36	1.50

● Taping Specifications are given in page 20.

Please refer to page 3 for the minimum order quantity.