

Performance power entry module FN 329

- Up to 6A current ratings
- IEC 950-compliant
- Integrated earth line choke
- Optional medical version (B type)

- Nennstrom bis 6A
- IEC 950 konform
- Integrierte Erdleiterdrossel
- Für medizinische Geräte als Option (Typ B)

- Courants de service pouvant atteindre 6A
- Conforme à CEI 950
- Self de terre intégrée
- Version médicale en option (type B)



Filter selection table

Choose the family FN xxx with the required body style and features, and add -?? to determine current rating, and /?? for output connections. Example: FN 329-1/05 is a horizontal screw-mounting filter, rated for 1A, with fast-on outputs.

Approvals



Family	Current ratings A at 40°C (25°)			Output connection		Housing
	1 (1.2)	3 (3.6)	6 (7.3)			
FN 329 -?? /??	-1	-3	-6	/01	/05	■
Inductance L mH						
	6.3	1.25	0.48			

Additional specifications

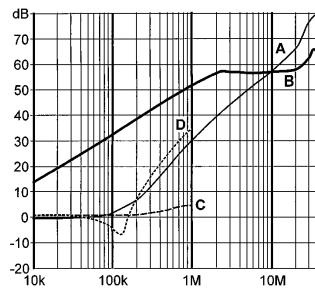
Filter type	Capacitance		Maximum leakage µA/phase	Res. R MΩ	Earth L _E mH	Weight g	Maximum operating voltage		Operating frequency Hz	Hipot test voltage	
	C _x nF	C _y nF					VAC	Hz		PN→E VAC	P→N VDC
All standard types	47	3.3	290		0.4	55	250	50/60	DC to 400	2000	1700
B types (medical)	47		2	1	0.4	55	250	50/60	DC to 400	2500	1700

MTBF at 40°C, 230V, per Mil-HB-217F: 600,000 hours

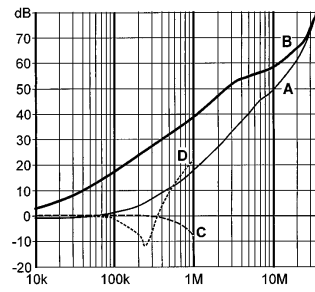
FN 329 insertion loss

Per CISPR 17; A = 50Ω/50Ω sym, B = 50Ω/50Ω asym, C = 0.1Ω/100Ω sym, D = 100Ω/0.1Ω sym

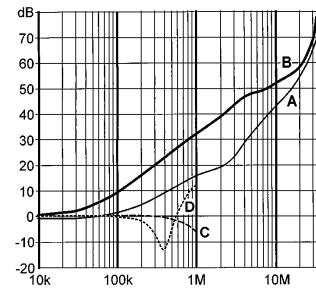
1 amp types



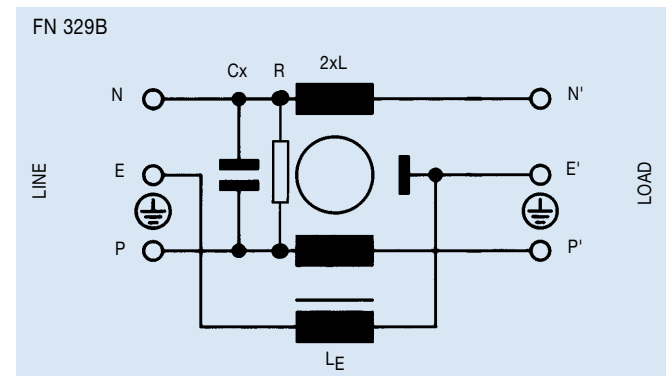
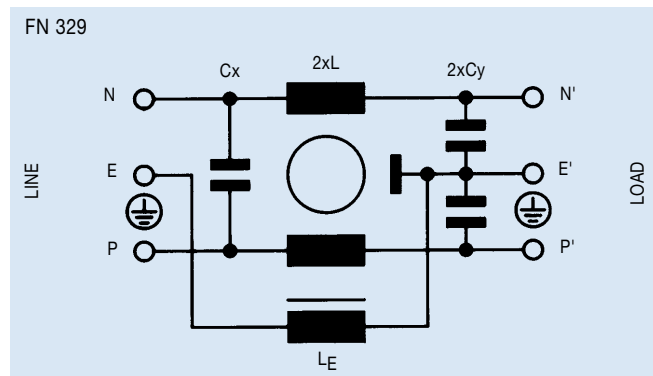
3 amp types



6 amp types



Electrical schematics

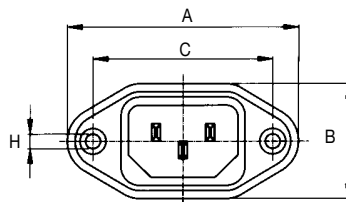


See tables for component values

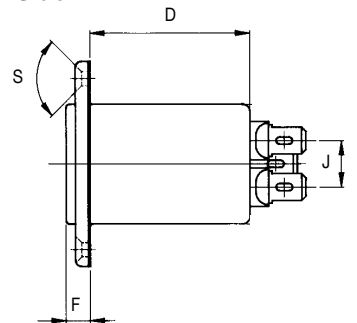
Mechanical data

		Tol. mm
A	51.5	± 0.5
B	26	± 0.3
C	40	± 0.2
D	46.6	± 0.3
F	5.5	± 0.3
H	∅3.3	-
J	10.9	± 0.5
M	R≤3	-
N	21.5	± 0.2
P	28.5	± 0.2
R	M3	-
S	90°	-

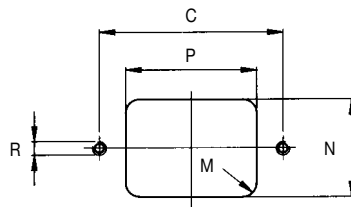
Front



Side



Panel cut-out



All dimensions in mm; 1 inch = 25.4mm