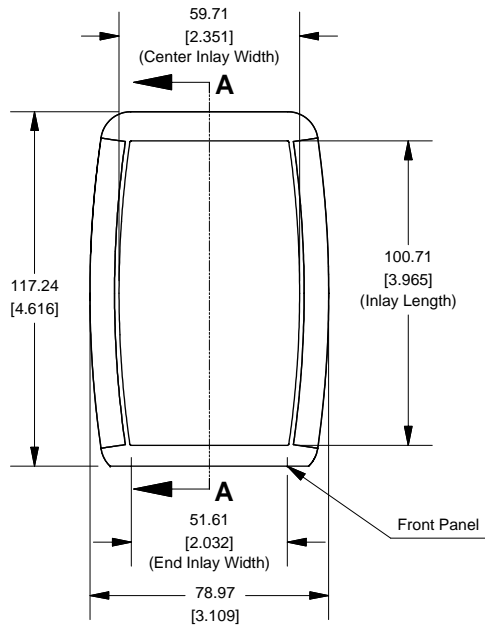
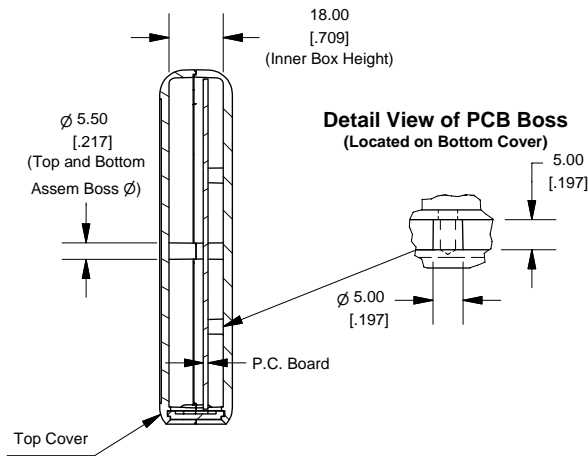


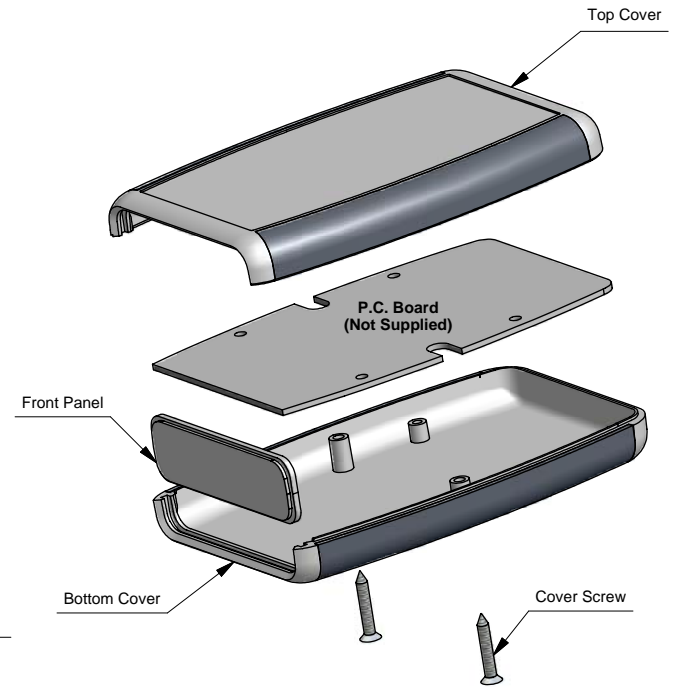
Top View of Assembly



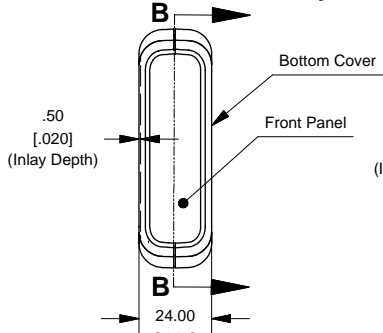
SECTION A-A (Side View Inside Assembly)



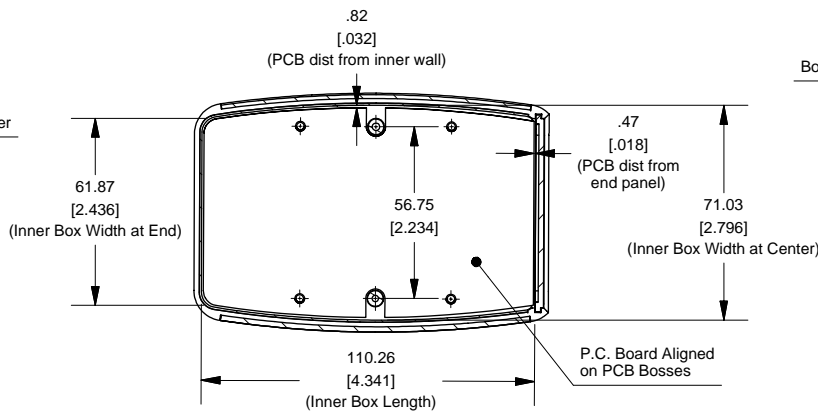
Series (1553B)



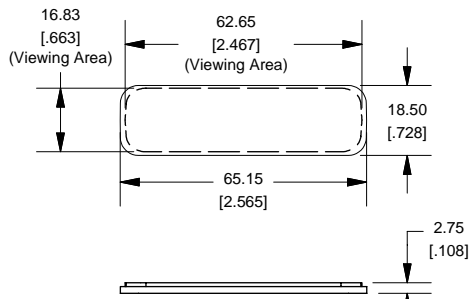
End View of Assembly



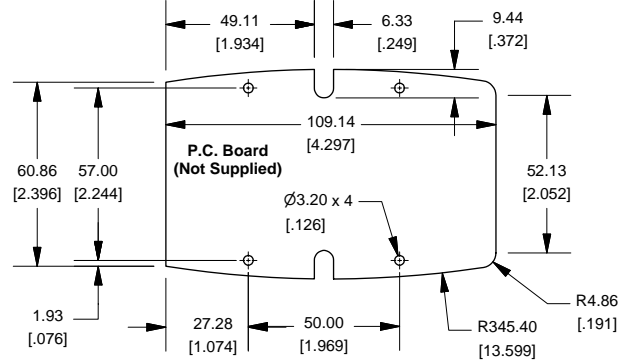
SECTION B-B (Inside of Bottom Cover)



Front/Rear Panel (Dashed Line Indicates Viewing Area)



Maximum P.C. Board Size



NOTE

Purchased assembly includes top and bottom cover, front plastic panel and 2 cover screws.