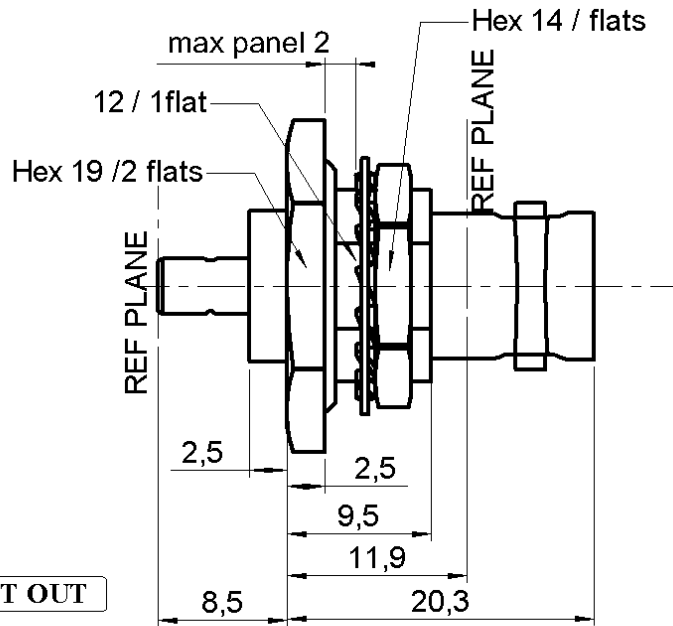


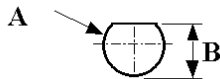
**SMB MALE - BNC FEMALE BULKHEAD PANEL
AND INTERNAL SEAL STRAIGHT ADAPTER**

R191.213.000

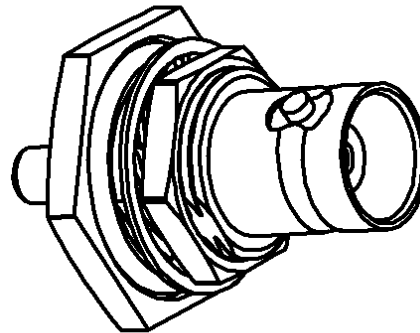
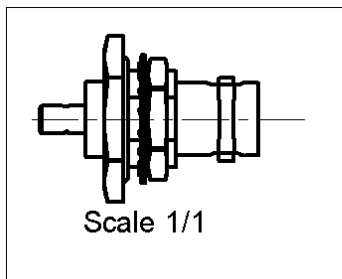
Série : ADAPT



PANEL CUT OUT



mm		
	Maxi	mini
A	12.7	12.6
B	12.2	12.1



All dimensions are in mm.

COMPONENTS	MATERIALS	PLATINGS (µm)
BODY	BRASS	NICKEL 2
CENTER CONTACT	BERYLLIUM COPPER	GOLD 1.3 OVER NICKEL 2
OUTER CONTACT	-	-
INSULATOR	PTFE	-
GASKET	SILICONE RUBBER	-
OTHERS PARTS	BRASS	NICKEL 2
-	-	-
-	-	-

Issue : 0303 B

In the effort to improve our products, we reserve the rights to make changes judged to be necessary.



**SMB MALE - BNC FEMALE BULKHEAD PANEL
AND INTERNAL SEAL STRAIGHT ADAPTER**

R191.213.000

Série : ADAPT

PACKAGING

SPECIFICATION

Standard	Unit	Other
1	-	Contact us

ELECTRICAL CHARACTERISTICS

Impedance		50 Ω
Frequency		0-4 GHz
VSWR	1.20 +	0.000 x F(GHz) Maxi
Insertion loss		0.250 √F(GHz) dB Maxi
RF leakage	- (57 - F(GHz)) dB Maxi
Voltage rating		500 Veff Maxi
Dielectric withstanding voltage		1000 Veff mini
Insulation resistance		1000 MΩ mini

ENVIRONMENTAL

Operating	-65/+155 °C
Hermetic seal	NA Atm.cm3/s
Panel leakage	IP66

MECHANICAL CHARACTERISTICS

Center contact retention		
Axial force – Mating end		10 N mini
Axial force – Opposite end		10 N mini
Torque		NA N.cm mini
Recommended torque		
Mating	SMB	0 N.cm
	BNC	0 N.cm
	-	0 N.cm
Panel nut		320 N.cm
Mating life		500 Cycles mini
Weight		16.154 g

OTHERS CHARACTERISTICS

Issue : 0303 B

In the effort to improve our products, we reserve the rights to make changes judged to be necessary.

