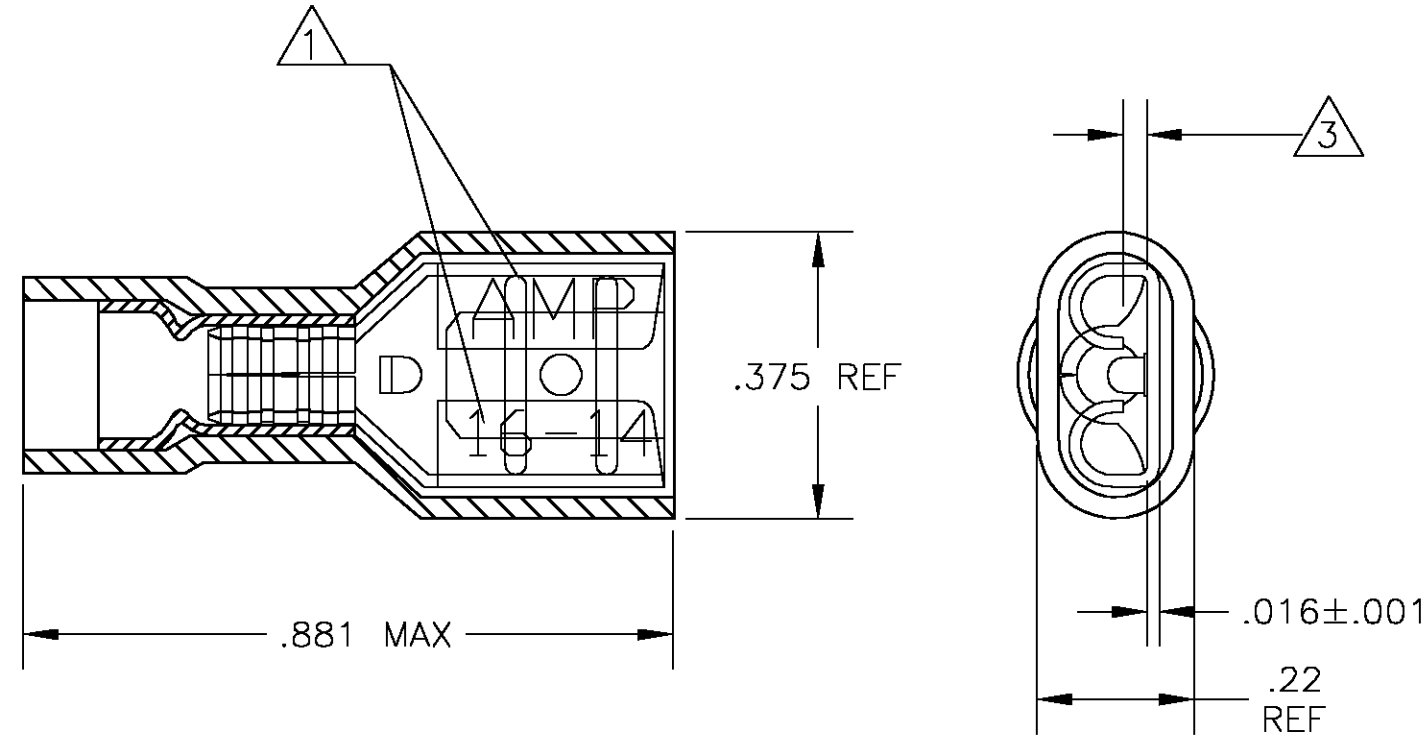


THIS DRAWING IS UNPUBLISHED. RELEASED FOR PUBLICATION  
 © COPYRIGHT BY TYCO ELECTRONICS CORPORATION. ALL RIGHTS RESERVED.

LOC	DIST	REVISIONS					
G	86	P	LTR	DESCRIPTION	DATE	DWN	APVD
		E1		REV PER ECR 05-001779	26APR05	JR	TM

<b>AMP WIRE RANGE</b>	FILE E66717	LR7189 Certified
16-14 AWG STRANDED	16-14 AWG STRANDED	16-14 AWG STRANDED



- ① MARKED AMP 16-14
- ② DESIGNED FOR WIRE INSULATION DIA OF .105-.160.
- ③ MATES WITH .250±.003 BY .032±.001 THK TAB.
- ④ BODY: BRASS, TIN PLATED SLEEVE: NYLON, BLUE
- ⑤ RATED FOR 15 MAX AMPERE

100	LOOSE PIECE	8-696366-1
1000	LOOSE PIECE	696366-1
QTY	PACKAGE TYPE	PART NO.

TYCO ELECTRONICS CUSTOMER SERVICE SYSTEM	
FOR ADDITIONAL PRODUCT INFORMATION OR COPIES OF DRAWING AND TECHNICAL DOCUMENTS	PRODUCT INFORMATION CENTER 1-800-522-6752
FOR APPLICATION TOOLING INFORMATION	TOOLING ASSISTANCE CENTER 1-800-722-1111
FOR ORDER ENTRY	1-800-526-5142

MAX RECOMMENDED OPERATING TEMPERATURE: 105°C [221°F]
VOLTAGE RATING: 300V MAX
CIRCULAR MIL AREA: 2,050-5,180 STRANDED

THIS DRAWING IS A CONTROLLED DOCUMENT.	
DIMENSIONS: INCHES	TOLERANCES UNLESS OTHERWISE SPECIFIED:
	0 PLC ± -
	1 PLC ± -
	2 PLC ± -
	3 PLC ± .008
	4 PLC ± -
	ANGLES ± -
MATERIAL	FINISH
- ④	- ④

DWN JR RUTH 07NOV01	Tyco Electronics Corporation Harrisburg, Pa 17105-3608
CHK T MICHELUTTI 07NOV01	
APVD T MICHELUTTI 07NOV01	
PRODUCT SPEC	
APPLICATION SPEC	NAME RECEPTACLE, 250 SERIES, FASTON, FULLY INSULATED, WIRE: 16-14 AWG
114-13076	SIZE A3
WEIGHT	CAGE CODE 00779
CUSTOMER DRAWING	DRAWING NO C-696366
	RESTRICTED TO
	SCALE 1:1
	SHEET 1 OF 1
	REV E1