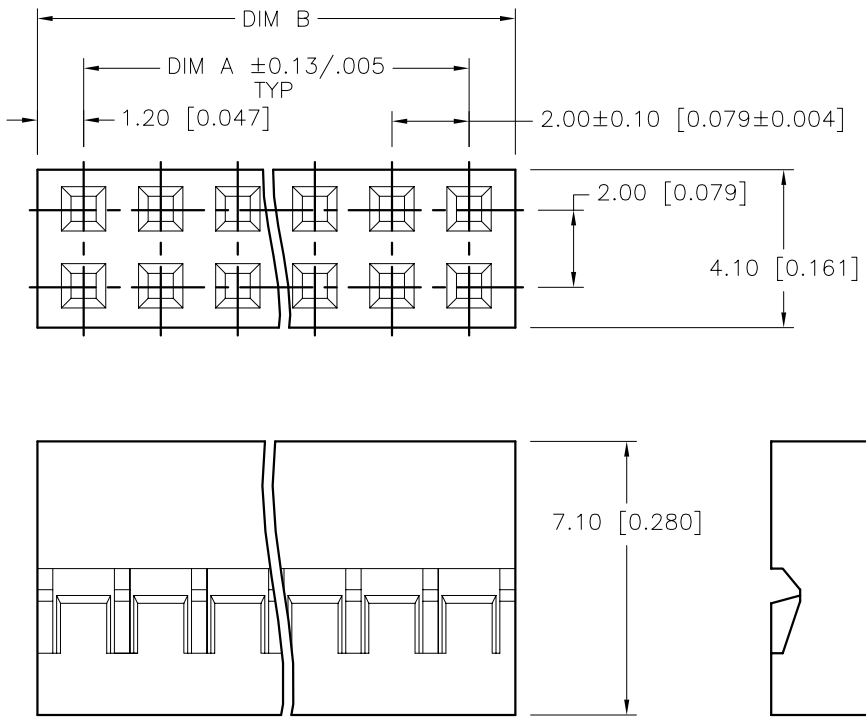


PRODUCT NUMBER	POS.	DIM A	DIM B	EQUIVALENT HIGH-TEMP P/N
69307-004LF	4	2.01/.079	4.39/.173	10087008-004LF
69307-006LF	6	3.99/.157	6.40/.252	10087008-006LF
69307-008LF	8	5.99/.236	8.41/.331	10087008-008LF
69307-010LF	10	8.00/.315	10.39/.409	10087008-010LF
69307-012LF	12	10.00/.394	12.40/.488	10087008-012LF
69307-014LF	14	11.99/.472	14.40/.567	10087008-014LF
69307-016LF	16	14.00/.551	16.41/.646	10087008-016LF
69307-018LF	18	16.00/.630	18.39/.724	10087008-018LF
69307-020LF	20	18.01/.709	20.40/.803	10087008-020LF
69307-022LF	22	19.99/.787	22.40/.882	10087008-022LF
69307-024LF	24	22.00/.866	24.41/.961	10087008-024LF
69307-026LF	26	24.00/.945	26.39/1.039	10087008-026LF
69307-028LF	28	26.01/1.024	28.40/1.118	10087008-028LF
69307-030LF	30	27.99/1.102	30.40/1.197	10087008-030LF
69307-032LF	32	30.00/1.181	32.41/1.276	10087008-032LF
69307-034LF	34	32.00/1.260	34.40/1.354	10087008-034LF
69307-036LF	36	34.01/1.339	36.40/1.433	10087008-036LF
69307-038LF	38	35.99/1.417	38.40/1.512	10087008-038LF
69307-040LF	40	38.00/1.496	40.41/1.591	10087008-040LF
69307-042LF	42	40.01/1.575	42.39/1.669	10087008-042LF
69307-044LF	44	42.01/1.654	44.40/1.748	10087008-044LF
69307-046LF	46	43.99/1.732	46.41/1.827	10087008-046LF
69307-048LF	48	46.00/1.811	48.41/1.906	10087008-048LF
69307-050LF	50	48.01/1.890	50.39/1.984	10087008-050LF



NOTES:

- MATERIAL: UNFILLED FLAME RETARDANT NYLON, FLAME RETARDANT PER UL94V-0, COLOR: BLACK.
- GENERAL TOLERANCE : ±0.25/.010
- PRODUCT MEETS EUROPEAN UNION DIRECTIVES AND OTHER COUNTRY REGULATIONS AS DESCRIBED IN GS-22-008.
- THE PRODUCT IS NOT INTENDED TO BE EXPOSED TO MANUFACTURING SOLDER PROCESSES.

mat'l. code		surface		tolerance		projection		product family	
SEE NOTE 1		✓				⊕		MINITEK HOUSINGS	
ltr	ecm no	dr	date	tolerances unless otherwise specified				title	
J	v91487	EPK	1999-11-09	angles	linear	NOTE 2		MINITEK C.T.W. RECEPTACLE HOUSING, DOUBLE ROW	
K	v05-0733	DAI	2005-08-08	0°±2'		MM/INCH		dwg no	
L	v06-0516	HTB	2006-06-05			scale 5:1		sheet 1 of 1 size	
M	v07-0266	HTB	2007-04-02	dr	E. KROPIEWNICKI	1999-11-09		A3	
N	v08-0143	HTB	2008-03-25	engr	L. GREEN	1999-11-09		69307	
P	v08-0392	HTB	2008-09-12	chr	L. GREEN	1999-11-09		type	
				appd	L. GREEN	1999-11-09		Product Customer Drawing	
sheet index	revision	P							
	sheet	1							



Copyright FCJ