

EA122 Automatic Air Vents

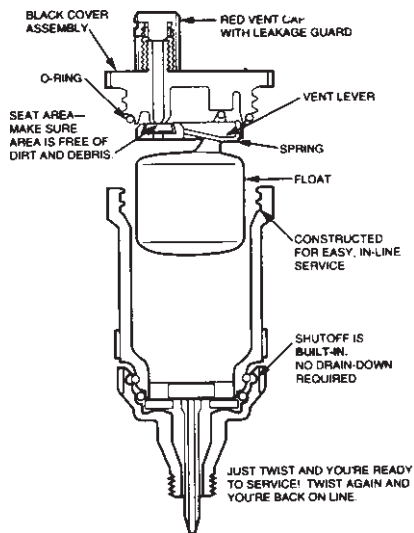
Purge air trapped in closed hot or cold water systems.

- Maintain quiet and efficient operation.
- Built-in brass shutoff valve for servicing without system shut-down.
- Built-in vacuum breaker.
- Leakage guard safeguards operation (EA122A1002 only).
- Includes removable float/valve assembly for easy servicing.
- Not for use in steam systems.
- Body, cover and float assembly made of thermoplastics.
- Oil resistant seal.



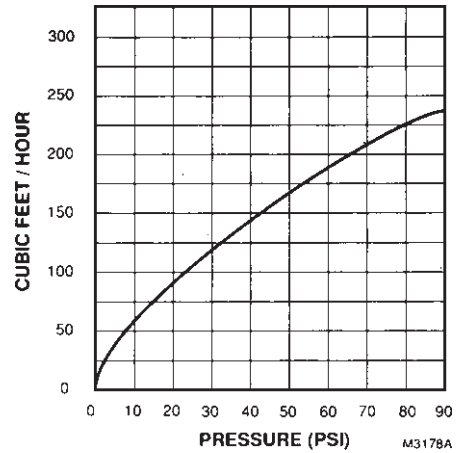
MAX. TEMPERATURE RATING: 212 F [100 C]
 MAX. PRESSURE RATING: 90 psi.
 AIR CAPACITY: 117 cfh at 30 psi system pressure

EA122 Automatic Air Vent Construction

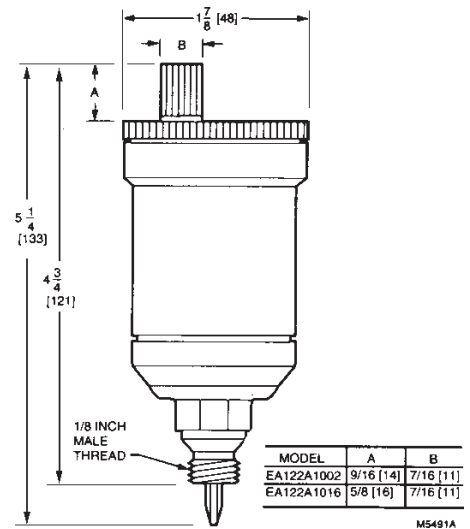


EA122A	Automatic air vent with built-in shutoff valve and leakage guard.	1/8 in. male threaded
EA122B	Automatic air vent without built-in shutoff valve.	1/8 in. male threaded

EA122 Air Capacity



EA122A dimensions in in. [mm]



EA122B dimensions in in. [mm]

