

Sealectro

Sealectro Limited, Walton Road, Farington, Hants. PO6 1TB. Tel: Cosham 73211
Telex 88142

965-807
143-377
142-370

DATA SHEET TPT 1

SERIES FR/SR TWO PIECE INSULATED TERMINALS

- STAND-OFF AND FEED-THROUGH STYLES
- TWO PIECE CONSTRUCTION
- HIGH GRADE P.T.F.E. INSULATION
- NO COUNTERSINK NEEDED FOR PUNCHED OR DRILLED HOLES
- HIGH RESISTANCE TO PULL-OUT

The newest addition to the Sealectro range of p.t.f.e. insulated terminals, the series FR/SR two piece terminals are designed for insertion into unchamfered chassis holes. The insulating bush is first pushed into the pre-drilled or punched hole and the lug, when inserted into the bush, locks the assembly rigidly into the chassis providing a high resistance to pull-out forces.

Bushes are supplied in three diameters to suit chassis hole diameters of 0.093", 0.125" and 0.156" respectively.

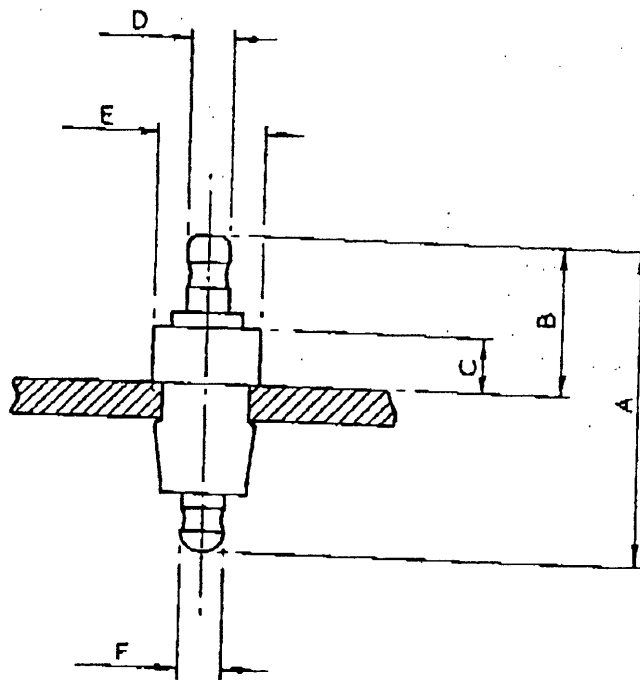
Lugs of various lengths and configurations are available to suit the application.

Part numbers for Insertion Tools are shown for each terminal. These tools are inexpensive units designed to fit any drill-press or hand-arbor press for fast installation of terminals. Recommended for quantity production.

Design controlled dimensions are those shown in imperial sizes.

Part numbers in brackets are the nearest equivalent parts from the original FO/SO & SPT terminal ranges which this range replaces.

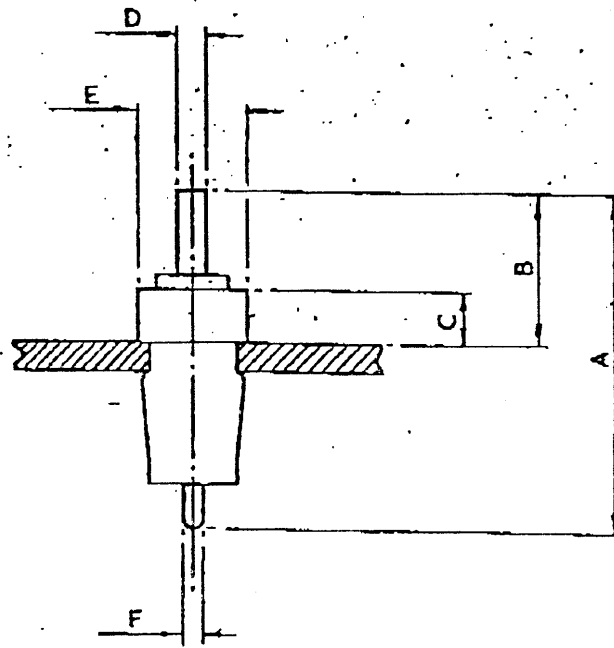
FEED-THROUGH TERMINALS OUTLINE 1



PART NUMBER		A	B	C	D	E	F	CHASSIS THICKNESS SW G	HOLE SIZE	TOOL No
FR 156/01	ins	.750	.348	.093	.064	.188	.050	16/22	.156	R1
(FO 156/1)	mm	19.05	8.84	2.36	1.63	4.78	1.27		.396	
FR 156/02	ins	.563	.259	.093	.075	.188	.050	16/22	.156	R1
(FO 156/3)	mm	14.30	6.55	2.36	1.91	4.78	1.27		.396	

D-THROUGH TERMINALS

OUTLINE 2



PART NUMBER		A	B	C	D	E	F	CHASSIS THICKNESS S W G	HOLE SIZE	TOOL No
FR 156/03 (FO 156/5)	ins mm	.563 14.30	.258 6.55	.093 2.36	.054 1.37	.188 4.78	.050 1.27	16/22	.156 3.96	R3
FR 156/04 (FO 156/8)	ins mm	.687 17.45	.320 8.13	.093 2.36	.054 1.37	.188 4.78	.050 1.27	16/22	.156 3.96	R3
FR 125/01 (SPT 25/1)	ins mm	.687 17.45	.316 8.03	.093 2.36	.054 1.37	.154 3.91	.031 0.79	16/18	.125 3.18	R4
FR 093/01 (FO 093/1 & SPT 26)	ins mm	.614 15.60	.288 7.32	.055 1.40	.050 1.27	.125 3.18	.031 0.79	13/18	.093 2.36	R6
FR 093/02 (FO 093/3)	ins mm	.500 12.70	.218 5.54	.055 1.40	.050 1.27	.125 3.18	.031 0.79	18/20	.093 2.36	R6
FR 093/03 (FO 093/4)	ins mm	.420 10.67	.235 5.97	.055 1.40	.050 1.27	.125 3.18	.031 0.79	18/20	.093 2.36	R6
FR 093/04 (FO 093/5)	ins mm	.482 12.24	.285 7.24	.055 1.40	.050 1.27	.125 3.18	.031 0.79	18/22	.093 2.36	R6
FR 093/05 (SPT 23)	ins mm	.437 11.10	.197 5.00	.055 1.40	.050 1.27	.125 3.18	.031 0.79	18/22	.093 2.36	R6
FR 093/06 (SPT 24)	ins mm	.500 12.70	.218 5.54	.055 1.40	.050 1.27	.125 3.18	.031 0.79	16/20	.093 2.36	R6
FR 093/07 (SPT 25)	ins mm	.562 14.28	.216 5.49	.055 1.40	.050 1.27	.125 3.18	.031 0.79	16/20	.093 2.36	R6
FR 093/08 (SPT 28)	ins mm	.812 20.63	.372 9.45	.055 1.40	.050 1.27	.125 3.18	.031 0.79	13/21	.093 2.36	R6

GROUP 3

SPT SERIES TWO PIECE TERMINALS

<u>Catalogue Number</u>	<u>Plating</u>	<u>Computer Code</u>	<u>Description</u>	<u>Price Code</u>
SPT 21	P 51	203-1407-001510	Lug	COE
		103-1407-001009	Bush	COG
SPT 22	P 51	203-1408-001510	Lug	COF
		103-1408-001009	Bush	COK
SPT 23	P 51	201-1409-001510	Lug	COL
		103-1409-001009	Bush	COF
SPT 24	P 51	201-1410-001510	Lug	COL
		101-1410-001009	Bush	COK
SPT 25	P 51	201-1411-001510	Lug	COG
		101-1411-001009	Bush	COJ
SPT 26	P 51	201-1412-001510	Lug	COM
		101-1411-001009	Bush	COJ
SPT 27	P 51	203-1409-001510	Lug	COG
		101-1412-001009	Bush	COK

GROUP 4

2PR/2SK SERIES TWO PIECE SOCKETS & PROBES

SOCKETS

<u>Catalogue Number</u>	<u>Plating</u>	<u>Computer Code</u>	<u>Description</u>	<u>Price Code</u>
2SK 040	P 99	216-1002-001990	Lug	C17
		116-1002-001009	Bush	C02
2SK 050	P 99	216-1001-001990	Lug	C19
		116-1001-001009	Bush	C0L
2SK 060	P 99	216-1000-001990	Lug	C19
		116-1000-001009	Bush	C0L

PROBES

2PR 040	P 99	211-4004-001990	Lug	C06
		111-4001-001009	Bush	C04
2PR 050	P 99	211-4003-001990	Lug	C06
		111-4001-001009	Bush	C04
2PR 060	P 99	211-4002-001990	Lug	C06
		111-4001-001009	Bush	C04

GROUP 4 NOTE:-

The plating reference for these items is P99, which in this case is as follows:-

0.000005/0.000010 gold over 0.00010/0.00015 nickel