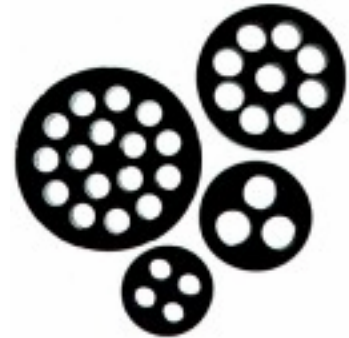




DATA SHEET	53316220
SKINTOP® DIX -M	valid from : 28.05.2003

SKINTOP® DIX a multiple seal insert with several holes makes it possible to pass several leads through a gland at the same time. Consequently components can be dimensioned smaller.



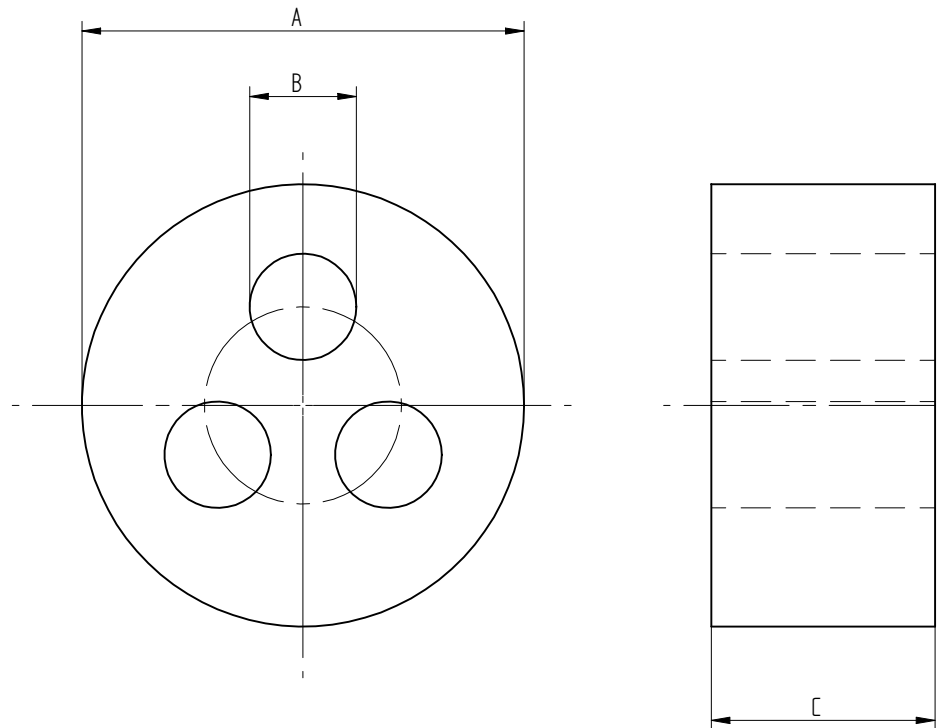
Technical features:

material:	NBR
sizes:	M 16 up to M 50
temperature range:	- 40° C up to + 100° C
color:	black

For more information please see our current catalogue.
Please do not hesitate to contact our laboratory if there are any questions regarding resistance against aggressive agents and special oil.

elaborated by: TE-VZ: R. Drotleff	Document: DB53316220EN	page 1 of 1
--------------------------------------	------------------------	-------------

Größe	ØA	C	Anzahl Bohrungen	ØB	Artikel-Nr.
DIX-M 16220	12.6	8	2	2	53316220
DIX-M 16230	12.6	8	2	3	53316230
DIX-M 16240	12.6	8	2	4	53316240
DIX-M 20250	16.6	8.4	2	5	53320250
DIX-M 20340	16.6	8.4	3	4	53320340
DIX-M 20920	16.6	8.4	9	2	53320920
DIX-M 20430	16.6	8.4	4	3	53320430
DIX-M 25540	20.8	9.5	5	4	53325540
DIX-M 25450	20.8	9.5	4	5	53325450
DIX-M 25350	20.8	9.5	3	5	53325350
DIX-M 25260	20.8	9.5	2	6	53325260
DIX-M 25360	20.8	9.5	3	6	53325360
DIX-M 25370	20.8	9.5	3	7	53325370
DIX-M 25640	20.8	9.5	6	4	53325640
DIX-M 32270	25.6	12	2	7	53332270
DIX-M 32280	25.6	12	2	8	53332280
DIX-M 32460	25.6	12	4	6	53332460
DIX-M 32370	25.6	12	3	7	53332370
DIX-M 32470	25.6	12	4	7	53332470
DIX-M 32380	25.6	12	3	8	53332380
DIX-M 32560	25.6	12	5	6	53332560
DIX-M 32650	25.6	12	6	5	53332650
DIX-M 32840	25.6	12	8	4	53332840
DIX-M 32940	25.6	12	9	4	53332940
DIX-M 40290	33.8	14.5	2	9	53340290
DIX-M 40310	33.8	14.5	3	10	53340310
DIX-M 40480	33.8	14.5	4	8	53340480
DIX-M 40490	33.8	14.5	4	9	53340490
DIX-M 40580	33.8	14.5	5	8	53340580
DIX-M 40590	33.8	14.5	5	9	53340590
DIX-M 40670	33.8	14.5	6	7	53340670
DIX-M 40860	33.8	14.5	8	6	53340860
DIX-M 40969	33.8	14.5	9	6.9	53340969
DIX-M 50680	41.8	18	6	8	53350680
DIX-M 50780	41.8	18	7	8	53350780
DIX-M 50870	41.8	18	8	7	53350870
DIX-M 50164	41.8	18	16	4	53350164
DIX-M 50166	41.8	18	16	6	53350166



Temperaturbereich : -40°C bis +100°C

halogenfrei

ölbeständig

Für diese Zeichnung behalten wir uns alle Rechte vor. siehe Schutzvermerk DIN 34				Freimaßtoleranz nach DIN		Maßstab:		Gewicht:	
						Werkstoff: NBR schwarz			
				Bearb. 05.04.01		Name Schmid		Benennung: SKINTOP® DIX-M	
				Gepr. 26.04.01		Drotleff		Daten- und Montageblatt	
				Norm					
								Zeichnungsnummer:	
								Blatt:	
								Bl.	
								Ersatz für: BS 99/2460-1	



U.I.Lapp GmbH

Multiple sealing insert for SKINTOP® cable glands metric

SKINTOP® DIX-M

Multiple sealing insert

Makes the SKINTOP® gland a multiple gland. Instead of the inner sealing inserts, a sealing with several holes is used.

SKINTOP® DIX-M sealing rings allow several cables to be lead through one gland simultaneously. Thereby the size of

installation parts can be reduced, because there is no need to use a gland for each cable. - A more compact line of cables in one direction.

Note

IP 68 can be reached, when all holes are closed and all holes are filled to an optimum, i.e. use of cables with nominal diameter and/or SKINTOP® DIX-DV.



Technical Data	Material:	Temperature range:	Protection class:	On request:	Note:
SKINTOP® DIX-M	NBR	-40 °C to +100 °C	IP 54	Special shapes	Silicon-free production

Part number	Type	Thread size M	Number of cables x cable diam.	PU pieces
SKINTOP® DIX-M				
5331 6220	16220	M 16	2 x 2	100
5331 6230	16230	M 16	2 x 3	100
5331 6240	16240	M 16	2 x 4	100
5332 0250	20250	M 20	2 x 5	100
5332 0260	20260	M 20	2 x 6	100
5332 0340	20340	M 20	3 x 4	100
5332 0353	20353	M 20	3 x 5,3	100
5332 0440	20440	M 20	4 x 4	100
5332 0920	20920	M 20	9 x 2	100
5332 0430	20430	M 20	4 x 3	100
5332 5260	25260	M 25	2 x 6	50
5332 5350	25350	M 25	3 x 5	50
5332 5360	25360	M 25	3 x 6	50
5332 5370	25370	M 25	3 x 7	50
5332 5450	25450	M 25	4 x 5	50
5332 5540	25540	M 25	5 x 4	50
5332 5640	25640	M 25	6 x 4	50
5333 2270	32270	M 32	2 x 7	50
5333 2280	32280	M 32	2 x 8	50
5333 2290	32290	M 32	2 x 9	50
5333 2370	32370	M 32	3 x 7	50
5333 2380	32380	M 32	3 x 8	50
5333 2460	32460	M 32	4 x 6	50
5333 2470	32470	M 32	4 x 7	50
5333 2560	32560	M 32	5 x 6	50
5333 2650	32650	M 32	6 x 5	50
5333 2840	32840	M 32	8 x 4	50
5333 2850	32850	M 32	8 x 5	50
5333 2940	32940	M 32	9 x 4	50
5334 0290	40290	M 40	2 x 9	25
5334 0310	40310	M 40	3 x 10	25
5334 0480	40480	M 40	4 x 8	25
5334 0490	40490	M 40	4 x 9	25
5334 0580	40580	M 40	5 x 8	25
5334 0590	40590	M 40	5 x 9	25
5334 0670	40670	M 40	6 x 7	25
5334 0860	40860	M 40	8 x 6	25
5334 0969	40969	M 40	9 x 6,9	25
5335 0680	50680	M 50	6 x 8	10
5335 0780	50780	M 50	7 x 8	10
5335 0870	50870	M 50	8 x 7	10
5335 0164	50164	M 50	16 x 4	10
5335 0166	50166	M 50	16 x 6	10