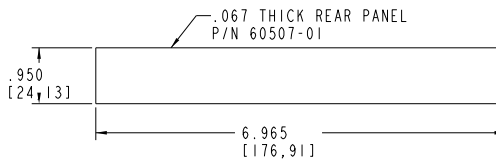
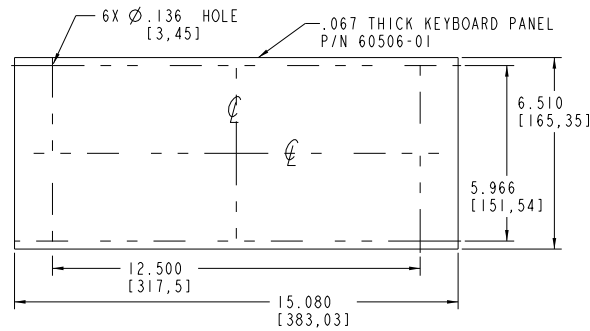
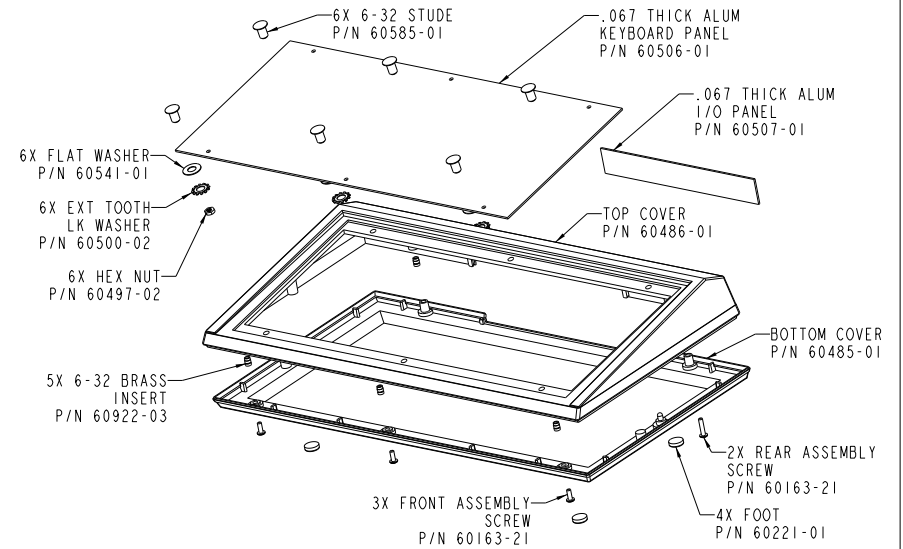
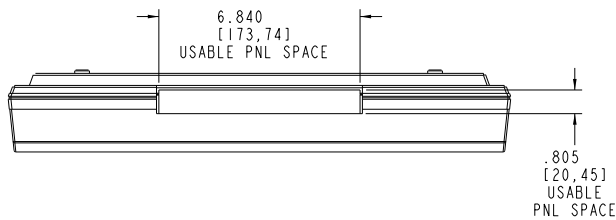
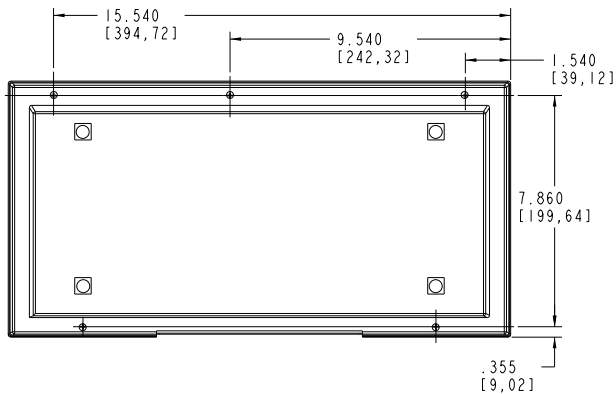
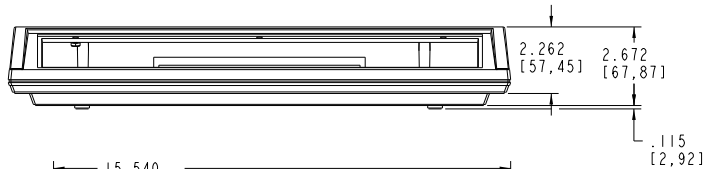


SECTION A-A



PACINTEC®
1-610-361-4200

KE-17

VISIT **PACINTEC®**
ON THE WORLD WIDE WEB
www.pacotecenclosures.com

| COLOR / MATERIAL CODE | |
|-----------------------|-----------|
| COLOR | 94HB 94VO |
| BLACK | 000 028 |
| P. C. BONE | 039 060 |

| DRAWING NUMBER | REV |
|----------------|-----|
| 63605 | B |