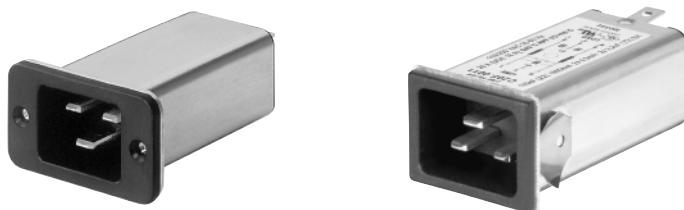


Actual information about approvals can be found on <http://www.schurter.com/approvals>



C20



70° C



Standard- or Medical-Filter

Description

- Panel mount:
Snap-in or screw-on mounting from front side
- 2 Functions:
Connector Protection class I, Line filter in standard and medical version
- Quick connect terminals 6.3 x 0.8 mm

Characteristics

- Compact design with optimal shielding
- All single elements are already wired
- Version with class X1 and X2 (standard version) capacitors
- Universal line filter for standard applications
Designed for standard and medical applications
- Qualified for use in equipment according IEC/EN 60950

Other versions on request:

- medical version M80
- Other rated currents

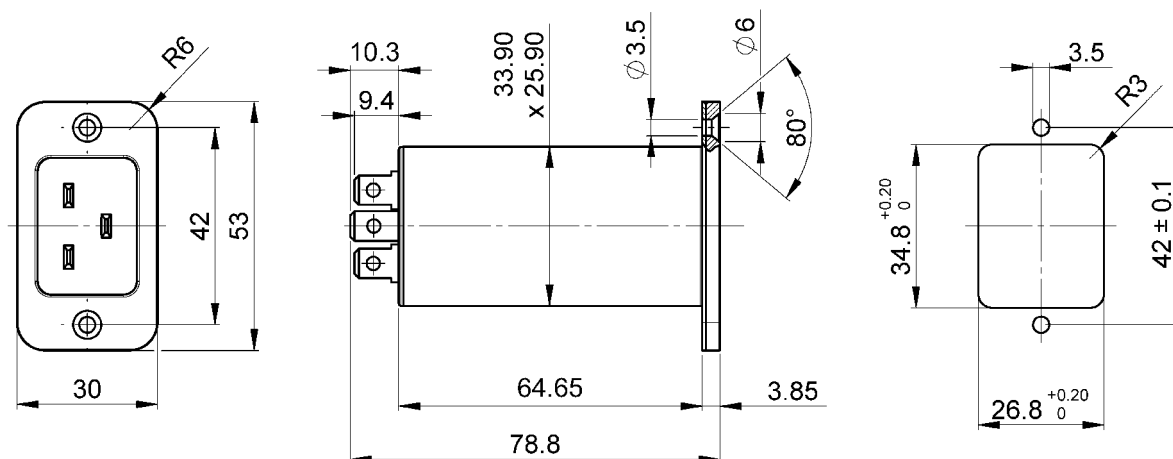
Technical data

Ratings IEC	16 A @ Ta 40 °C / 250 VAC; 50 Hz
Ratings UL/CSA	20 A @ Ta 40 °C / 250 VAC; 60 Hz
Leakage current	standard < 0.5 mA (250 V / 60 Hz) medical < 5 µA (250 V / 60 Hz)
Dielectric strength	> 1.7 kVDC between L-N (CX1, CX2) > 2.7 kVDC between L/N-PE (CX1, CX2) Test voltage (2 sec)
Surge withstand	> 2.5 kV between L-N (CX2) > 4 kV between L-N (CX1) > 5 kV between L/N-PE (CX1, CX2) voltage (1.2/50 µs)
Allowable operation temp.	-25 °C to 85 °C
Climatic category	25/085/21, IEC 60068-1
Degree of protection	from front side IP40 acc. to IEC 60529
Protection class	Suitable for appliances with protection class I acc. to IEC 61140
Terminals	Quick connect terminals 6.3 x 0.8 mm
Panel thickness s	Screw-on: max 8 mm Mounting screw torque max 0.5 Nm Snap-in: 1 mm to 3 mm
Materials: Housing	Thermoplastic, black, UL 94V-0

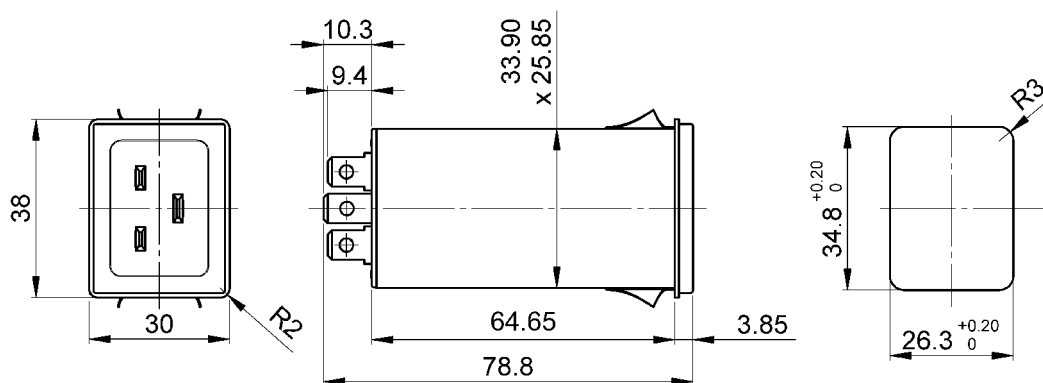
Appliance-inlet /-outlet	C20 acc. to IEC/EN 60320-1, UL 498, CSA C22.2 no. 42 (for cold condition) pin-temperature 70 °C, 16 A, Protection class I
Line filter	Standard and medical version, IEC 60939, IEC 60601-1, UL 1283, UL 544, EN 133 200, CSA C22.2 no. 8 Technical details > GENERAL PRODUCT INFORMATION

Dimensions

Screw-on mounting



Snap-in mounting



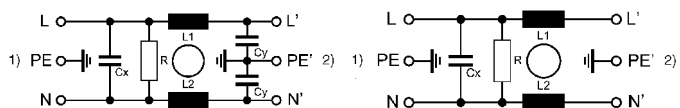
Technical data of filter-components

Rated current [A]	Filter-Type	Inductances L [mH]	Capacitance CX [nF]	Capacitance CY [nF]	R [M Ω]
16	Standard Version	2 x 0.3	100	2.2	1
16	Medical Version (M5)	2 x 0.3	100		1

Diagrams

Standard version

Medical version



1) Line
2) Load

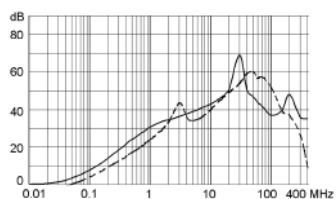
1) Line
2) Load

Attenuation loss

- - - differential mode _____ common mode

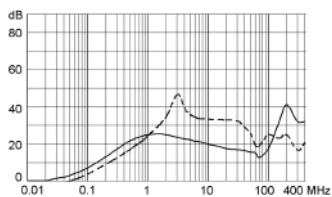
Standard version

20 A



Medical version

20 A



Variants

Order Number	Rated Current IEC	Rated Current UL	Filter-Type	Panel mounting	Capacitor
C20F.0011	16	20	Standard Version	Snap-in	X2
C20F.0013	16	20	Standard Version	Snap-in	X1
C20F.0001	16	20	Standard Version	Screw-on	X2
C20F.0003	16	20	Standard Version	Screw-on	X1
C20F.0012	16	20	Medical Version (M5)	Snap-in	X2
C20F.0014	16	20	Medical Version (M5)	Snap-in	X1
C20F.0002	16	20	Medical Version (M5)	Screw-on	X2
C20F.0004	16	20	Medical Version (M5)	Screw-on	X1

Packaging unit 20 Pcs

Accessories

» [ACCESSORIES](#)