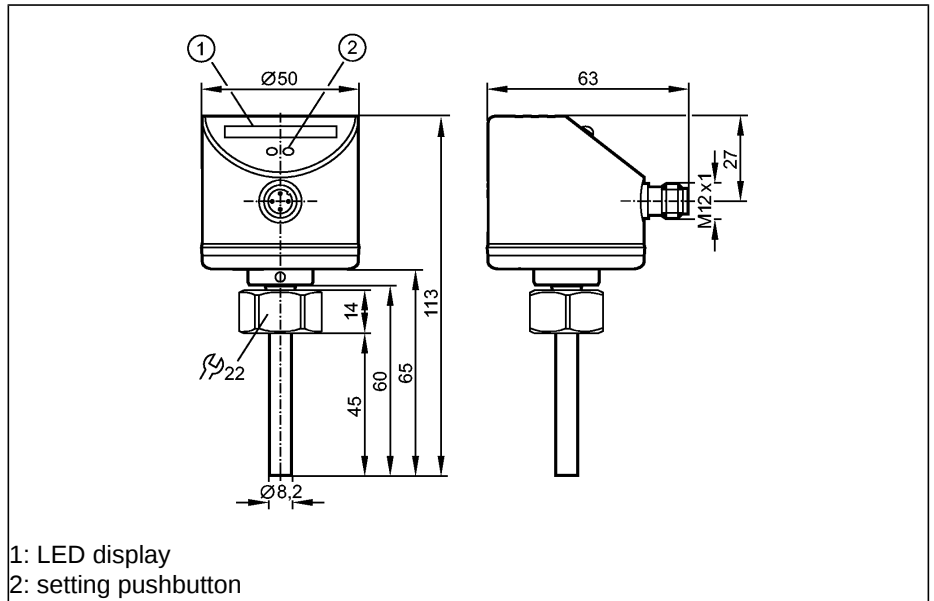


Flow sensors

SI5010

SID10ADBFPKG/US
 Flow monitor
 Compact type for adapter
 Plug and socket
 Process connection: internal thread
 M18 x 1.5 for adapter

 Pressure rating: 300 bar



1: LED display
 2: setting pushbutton

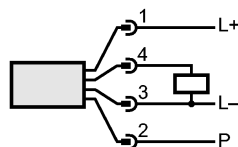


Application	liquids and gases
Electrical design	DC PNP
Output	normally open / closed programmable
Operating voltage [V]	19...36 DC 1)
Current rating [mA]	250
Short-circuit protection	pulsed
Reverse polarity protection	yes
Overload protection	yes
Voltage drop [V]	< 2.5
Current consumption [mA]	< 60
Max. temperature gradient of medium [K/min]	300
Pressure rating [bar]	300
Liquids	
Medium temperature [°C]	-25...80
Setting range [cm/s]	3...300
Greatest sensitivity [cm/s]	3...100
Gases	
Medium temperature [°C]	-25...80
Setting range [cm/s]	200...3000
Greatest sensitivity [cm/s]	200...800

SI5010

Adjustment of the switch point	pushbuttons
Switch point accuracy [cm/s]	± 2...± 10 *)
Hysteresis [cm/s]	2...5 *)
Repeatability [cm/s]	1...5 *)
Power-on delay time [s]	10
Response time [s]	1...2 ***) / 1...10 ****)
Temperature drift [cm/s x 1/K]	0.1 **)
Operating temperature [°C]	-25...80
Protection	IP 67, III
Shock resistance	DIN IEC 68-2-27:50 g (11 ms)
Vibration resistance	DIN EN 60068-2-6:20 g (55...2000 Hz)
EMC	EN 61000-4-2 ESD: 4 kV CD / 8 kV AD EN 61000-4-3 HF radiated: 10 V/m EN 61000-4-4 Burst: 2 kV EN 61000-4-6 HF conducted: 10 V
Housing material	stainless steel (304S15); PC (Makrolon); PBT-GF 20; EPDM/X (Santoprene)
Materials (wetted parts)	stainless steel (316S12); O-ring: FPM 8 x 1.5 gr 80° Shore A
Function display	LED 10 LEDs, three-colour
Connection	M12 connector
Remarks	<p>1) The device shall be supplied from an isolating source and protected by an overcurrent device such that the limited voltage circuit requirements in accordance with UL 508 are met.</p> <p>*) for water; 5...100 cm/s; 25°C (factory setting)</p> <p>**) for water; 5...100 cm/s; 10...70°C</p> <p>***) for liquids and temperature gradient 1 K/min</p> <p>****) for gases</p>

Wiring



P = programming wire (for remote adjustment)