

## 1-2040537-1 Industrial Mini I/O Connector System

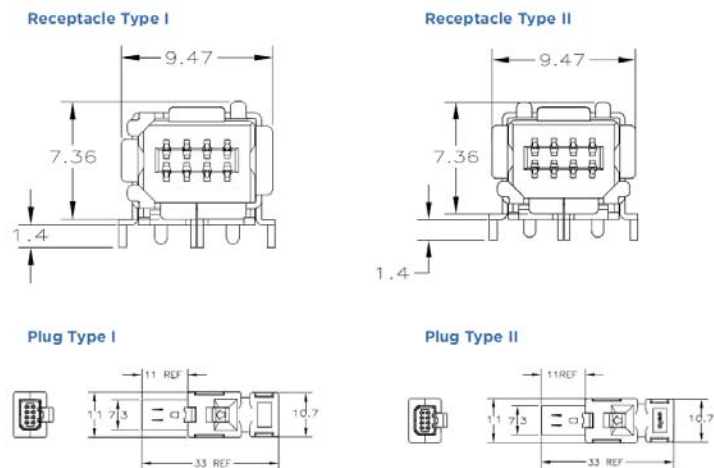
### General Description:

The Industrial Mini I/O connector system is a small, compact, latching, wire-to board I/O interface is suitable for the stringent demands of an industrial device. It is one quarter the size of a conventional RJ45 plug and is designed with two points of contact for increased reliability in high vibration environments. It is polarized with two options available to prevent mis-mating. It is also available in both SMT and through hole configurations. The unique latching system protects the plug from pull out during high vibration and accidental bumping. The system is most commonly used as an RJ45 replacement. It consists of 8 individual circuits that accommodate I/O signals.



### Key Features:

- 8 position
- 30V rated
- Wire-to-board
- Current rating: 0.5 AMPS
- .635 mm pitch
- Operating temperature: -40°C to 70°C
- Cable diameter: 6.7 mm Max
- Wire size: 22 AWG Max
- Durability: 1500 cycles
- Cable retention force: 98N (10kg)



### Applications:

- Industrial controls
- Motion control
- PLC's
- Robotics

**Related Products Information:**

Mfr Part #	Farnell #	Newark #	Description
1-2040537-1	1815208	73R7878	INDUSTRIAL MINI I/O H-HDR ASSY DIP 2
1981080-1	1815141	67P4207	INDUSTRIAL MINI I/O HDR ASSY
1981386-1	1815081	21R7634	INDUSTRIAL MINI I/O HDR ASSY D-SHAPE 2
2013595-1	1815112	46P4833	INDUSTRIAL MINI I/O PLUG KIT D1
2040008-1	1815247	73R7913	INDUSTRIAL MINI I/O PLUG KIT D2
2040537-1	1815029	08R2355	INDUSTRIAL MINI I/O H-HDR ASSY DIP 1

