



84952 FPC Connector Family

General Description:

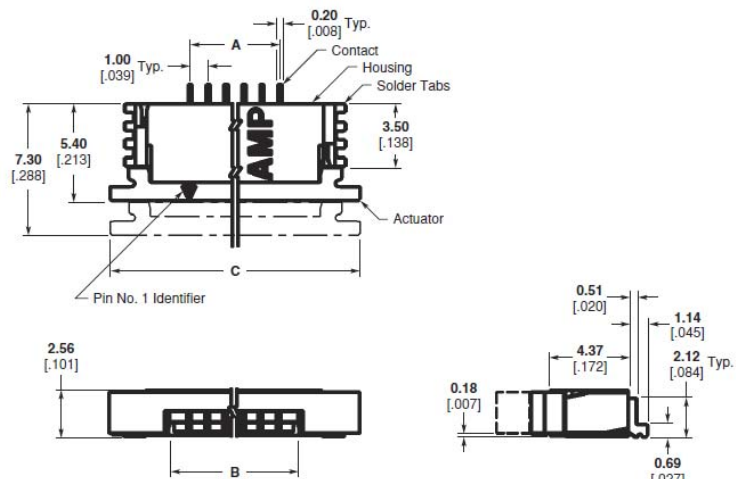
As the demands for higher density packaging of electronic equipment increases, the use of flexible printed circuits (FPC) to reduce size, weight and assembly costs has expanded. FPC is finding wide acceptance in the computer industry, particularly in such applications as Lap Top, Notebook, Palm Top and Note Pad Computers. Other markets include: Disk Drives, Printers, Plotters, Copiers, Cellular Phones, and Medical Equipment.



Tyco Electronics FPC connectors have been developed to meet the challenges of this expanding market. Available in centreline spacings 0.3 [.012], 0.5 [.020], 1.0 [.039], and 1.25 [.049] all incorporating low profile and light-weight features

Key Features:

- Available in ZIF and non-ZIF
- Available in 0.3, 0.5, 1.0, and 1.25mm Centerlines
- Available Tin-Lead or Lead-Free
- SMT, Thu-Hole, Vertical and Right-Angle
- Right-Angle Available Top or Bottom Contact



Applications:

General applications include

- Lap Top
- Notebook
- Palm Top
- Note Pad Computers.

Other markets include:

- Disk Drives
- Printers
- Plotters
- Copiers
- Cellular Phones
- Medical Equipment

Related Products Information:

Mfr Part #	Farnell #	Newark #	Description
84952-8	1815330	19R9649	1MM FPC HORZ. BOTTOM CONT.ASS.8 Positions
1-84952-0	1815872	17R2306	1MM FPC HORZ. BOTTOM CONT.ASS.10 Positions
1-84952-2	1815873	17R2308	1MM FPC HORZ. BOTTOM CONT.ASS.12 Positions
1-84952-4	1815874	17R2310	1MM FPC HORZ. BOTTOM CONT.ASS.14 Positions
1-84952-8	1815875	17R2314	1MM FPC HORZ. BOTTOM CONT.ASS.18 Positions
2-84952-0	1815306	09J5769	1MM FPC HORZ. BOTTOM CONT.ASS.20 Positions
2-84952-4	1815053	17R8717	1MM FPC HORZ. BOTTOM CONT.ASS.24 Positions
2-84952-8	1815054	17R8721	1MM FPC HORZ. BOTTOM CONT.ASS.28 Positions
3-84952-0	1815438	86H9186	1MM FPC HORZ. BOTTOM CONT.ASS.30 Positions

